

*drums & hardware 2006  
parts reference guide*



[WWW.MAPEXDRUMS.COM](http://WWW.MAPEXDRUMS.COM)



[WWW.MAPEXDRUMS.COM](http://WWW.MAPEXDRUMS.COM)



# MAPEX PARTS REFERENCE

# INDEX

## ORION SERIES | PAGE

BASS DRUM	1
FLOOR TOM & TOM TOM	2
SNARE DRUM & TOM HOLDER	3
SNARE STAND & HI HAT	4
PEDAL & BOOM STAND	5

## SATURN SERIES | PAGE

BASS DRUM	6
FLOOR TOM & TOM TOM	7
SNARE DRUM & TOM HOLDER	8
SNARE STAND & HI HAT	9
PEDAL & CYMBAL BOOM STAND	10

## PRO M SERIES | PAGE

BASS DRUM	11
FLOOR TOM & TOM TOM	12
SNARE DRUM & TOM HOLDER	13
SNARE STAND & HI HAT	14
PEDAL & CYMBAL BOOM STAND	15

## M SERIES | PAGE

BASS DRUM	16
FLOOR TOM & TOM TOM	17
SNARE DRUM & TOM HOLDER	18
SNARE STAND & HI HAT	19
PEDAL & CYMBAL BOOM STAND	20

## V / VX SERIES | PAGE

BASS DRUM	21
FLOOR TOM & TOM TOM	22
SNARE DRUM & TOM HOLDER	23
SNARE DRUM & HI HAT	24
PEDAL / CYMBAL STAND	25
BOOM STAND / THRONE	26

## QR SERIES | PAGE

BASS DRUM	27
FLOOR TOM & TOM TOM	28
SNARE DRUM & TOM HOLDER	29
SNARE DRUM & HI HAT	30
PEDAL & CYMBAL BOOM STAND	31

## Q SERIES | PAGE

BASS DRUM	32
FLOOR TOM & TOM TOM	33
SNARE DRUM & TOM HOLDER	34
SNARE STAND & HI HAT	35
PEDAL & CYMBAL BOOM STAND	36

## HARDWARE | PAGE

SNARE STAND (S950A / S750A / S550A)	37
SNARE STAND (S350A / S320A / S300A)	38
HI HAT (H950A / H750A)	39
HI HAT (H550A / H350A)	40
HI HAT (H320A / H300A)	41
TWIN PEDAL (P980A / P580A / P380A)	42
SINGLE PEDAL (P950A / P750A)	43
SINGLE PEDAL (P550A / P320A)	44
THRONE (T580A / T560A / T550A)	45
THRONE (T350A / T250A)	46
THRONE (T560GA / T560GBA / T560LA) (T580GA / T580GBA / T580LA)	47
CYMBAL STAND (C950A / C750A / C550A)	48
CYMBAL STAND (C350A / C320A / C300A)	49
BOOM STAND (B960A / B950A)	50
BOOM STAND (B750A / B560A)	51
BOOM STAND (B550A / B350A)	52
BOOM STAND (B320A / B300A)	53
MULTI USE STAND (TS965A / TS960A)	54
MULTI USE STAND (TS950A / TS550A)	55
MULTI USE STAND (B995A / B990A)	56

## JANUS HARDWARE | PAGE

JANUS HI HAT	57
(JNSH600 / JNSM7500 / JNSM7000)	
JANUS PEDAL ( JNSP7000 / JNSP7500)	58

## BLACK PANTHER SNARE DRUM | PAGE

ALL MAPLE SNARE	59
BIRDSEYE MAPLE SNARE	60
CHERRY & WALNUT SNARE	61
BRASS SNARE	62
STEEL SNARE	63
PHOSPHOR BRONZE SNARE	64
HAMMERED BRASS SNARE	65
HAMMERED PHOSPHOR BRONZE SNARE	66
HAMMERED STAINLESS STEEL SNARE	67

## MAPEX PRO SNARE | PAGE

WOOD SNARE	68
STEEL SNARE	69
BRASS SNARE	70

## MAPEX SCHOOL ITEM | PAGE

PERCUSSION KIT	71
SNARE KIT	72

## APPENDIX | PAGE

APPENDIX - HARDWARE SPEC	73
APPENDIX - HARDWARE SPEC	74
APPENDIX - HARDWARE SPEC	75
APPENDIX - COMPARISON CHART	76

# Orion Series

# Bass Drum

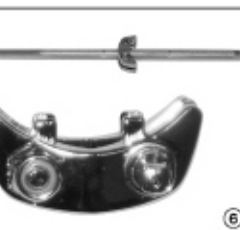
# Orion Series

# Floor Tom & Tom Tom

Orion Series Bass Drum



Item number	Description
① 0122-1800A-xx	18"BD Hoop, for Orion Burl Maple
0122-2000A-xx	20"BD Hoop, for Orion Burl Maple
0122-2200A-xx	22"BD Hoop, for Orion Burl Maple
0122-2400A-xx	24"BD Hoop, for Orion Burl Maple
0115-1800A-xx	18"BD Hoop, for Orion Birds Eye Maple
0115-2000A-xx	20"BD Hoop, for Orion Birds Eye Maple
0115-2200A-xx	22"BD Hoop, for Orion Birds Eye Maple
0115-2400A-xx	24"BD Hoop, for Orion Birds Eye Maple
Replace xx with color code	
② 0315-C18BB	18"BD Head, Batter Side
0315-C20BB	20"BD Head, Batter Side
0315-C22BB	22"BD Head, Batter Side
0315-C24BB	24"BD Head, Batter Side
0318-618BB	18"BD Black Head, Logo Side
0318-620BB	20"BD Black Head, Logo Side
0318-622BB	22"BD Black Head, Logo Side
0318-624BB	24"BD Black Head, Logo Side
③ LUG-0701D	BD Lug Assy., Chrome Plated
LUG-0798D	BD Two Point Contact Lug Assy., Chrome Plated (W/Gaskets, Mounting Screw & Tension Rod)
LUG-0702D	BD Lug Assy., Chrome Plated (for ITS plate)
LUG-0723D	BD Lug Assy., Gold Plated
LUG-0778D	BD Two Point Contact Lug Assy., Gold Plated (W/Gaskets, Mounting Screw & Tension Rod)
LUG-0724D	BD Lug Assy., Gold Plated (for ITS plate)
LUG-0722D	BD Lug Assy., Black Plated
LUG-0758D	BD Two Point Contact Lug Assy., Black Plated (W/Gaskets, Mounting Screw & Tension Rod)
LUG-0721D	BD Lug Assy., Black Plated (for ITS plate)
④ 0704-892A	BD Hook, Chrome Plated
0704-892GA	BD Hook, Gold Plated
0704-892BA	BD Hook, Black Plated
⑤ SF0551000HX	Tension Rod, Chrome Plated (1pc)
SF0551000GX	Tension Rod, Gold Plated (1pc)
SF0551000BX	Tension Rod, Black Plated (1pc)
M010-020	Washer (1pc)
⑥ 1900M12372A	Badge (W/Gasket and Screw)
⑦ 7700J2040A	20" Left BD Spur (w/ITS)
7700J2041A	20" Right BD Spur (w/ITS)
7700J2240A	22" Left BD Spur (w/ITS)
7700J2241A	22" Right BD Spur (w/ITS)
7700J2440A	24" Left BD Spur (w/ITS)
7700J2441A	24" Right BD Spur (w/ITS)
7600J1840A	18" Left BD Spur (w/o ITS)
7600J1841A	18" Right BD Spur (w/o ITS)
2618-045	Rubber Foot for BD Spur (1pc)
⑧ 6350B	18" BD Mount Complete (w/o ITS)
6700B6720A	20" BD Mount Complete (w/ITS)
6700B6722A	22" BD Mount Complete (w/ITS)
AZ0800170A	Wing Screw (1pc)



Item number	Description
① 0107-0804	8" TT Hoop, Chrome Plated, 4 Holes
0107-1006	10" TT Hoop, Chrome Plated, 6 Holes
0107-1206	12" TT Hoop, Chrome Plated, 6 Holes
0107-1306	13" TT Hoop, Chrome Plated, 6 Holes
0107-1408	14" TT/FT Hoop, Chrome Plated, 8 Holes
0107-1508	15" TT/FT Hoop, Chrome Plated, 8 Holes
0107-1608	16" TT/FT Hoop, Chrome Plated, 8 Holes
0107-1808	18" TT/FT Hoop, Chrome Plated, 8 Holes
0107-0804G	8" TT Hoop, Gold Plated, 4 Holes
0107-1006G	10" TT Hoop, Gold Plated, 6 Holes
0107-1206G	12" TT Hoop, Gold Plated, 6 Holes
0107-1306G	13" TT Hoop, Gold Plated, 6 Holes
0107-1408G	14" TT/FT Hoop, Gold Plated, 8 Holes
0107-1508G	15" TT/FT Hoop, Gold Plated, 8 Holes
0107-1608G	16" TT/FT Hoop, Gold Plated, 8 Holes
0107-1808G	18" TT/FT Hoop, Gold Plated, 8 Holes
0107-0804B	8" TT Hoop, Black Plated, 4 Holes
0107-1006B	10" TT Hoop, Black Plated, 6 Holes
0107-1206B	12" TT Hoop, Black Plated, 6 Holes
0107-1306B	13" TT Hoop, Black Plated, 6 Holes
0107-1408B	14" TT/FT Hoop, Black Plated, 8 Holes
0107-1508B	15" TT/FT Hoop, Black Plated, 8 Holes
0107-1608B	16" TT/FT Hoop, Black Plated, 8 Holes
0107-1808B	18" TT/FT Hoop, Black Plated, 8 Holes
② 0316-308BT	8" TT Head, ( Batter/Bottom)
0316-310BT	10" TT Head, ( Batter/Bottom)
0316-312BT	12" TT Head, ( Batter/Bottom)
0316-313BT	13" TT Head, ( Batter/Bottom)
0316-314BT	14" TT/FT Head, ( Batter/Bottom)
0316-315BT	15" TT/FT Head, ( Batter/Bottom)
0316-316BT	16" TT/FT Head, ( Batter/Bottom)
0316-318BT	18" TT/FT Head, ( Batter/Bottom)
③ LUG-0711D	Lug Assy., Chrome Plated
LUG-0712D	Lug Assy., Chrome Plated (for ITS plate)
LUG-0719D	Lug Assy., Gold Plated
LUG-0717D	Lug Assy., Gold Plated (for ITS plate)
LUG-0720D	Lug Assy., Black Plated
LUG-0727D	Lug Assy., Black Plated (for ITS plate)
④ SF0550450HX	Tension Rod, Chrome Plated (1pc)
SF0550450GX	Tension Rod, Gold Plated (1pc)
SF0550450BX	Tension Rod, Black Plated (1pc)
M010-020	Washer (1pc)
⑤ 1900M12372A	Badge (w/Gasket and Screw)
⑥ 34671880A	FT Legs (1pc)
6750-645A	Stop Lock for FT Leg (1pc)
34340685A	Rubber Foot for FT Leg (1pc)
⑦ 6750M2085A	8" TT Mount (w/ITS)
6750M2105A	10" TT Mount (w/ITS)
6750M2125A	12" TT Mount (w/ITS)
6750M2135A	13" TT Mount (w/ITS)
6750M2145A	14" TT Mount (w/ITS)
6750M2155A	15" TT Mount (w/ITS)
6750M2165A	16" TT Mount (w/ITS)
6750M3147A	14" Left FT Mount (w/ITS)
6750M3145A	14" Mid FT Mount (w/ITS)
6750M3146A	14" Right FT Mount (w/ITS)
6750M3157A	15" Left FT Mount (w/ITS)
6750M3155A	15" Mid FT Mount (w/ITS)
6750M3156A	15" Right FT Mount (w/ITS)
6750M3167A	16" Left FT Mount (w/ITS)
6750M3165A	16" Mid FT Mount (w/ITS)
6750M3166A	16" Right FT Mount (w/ITS)
6750M3187A	18" Left FT Mount (w/ITS)
6750M3185A	18" Mid FT Mount (w/ITS)
6750M3186A	18" Right FT Mount (w/ITS)
NZ080024044	Wing Nut (1pc)

Orion Series Floor Tom & Tom Tom

# Orion Series

# Snare Drum / Tom Holder

# Orion Series

# Snare Stand / Hi-Hat Stand

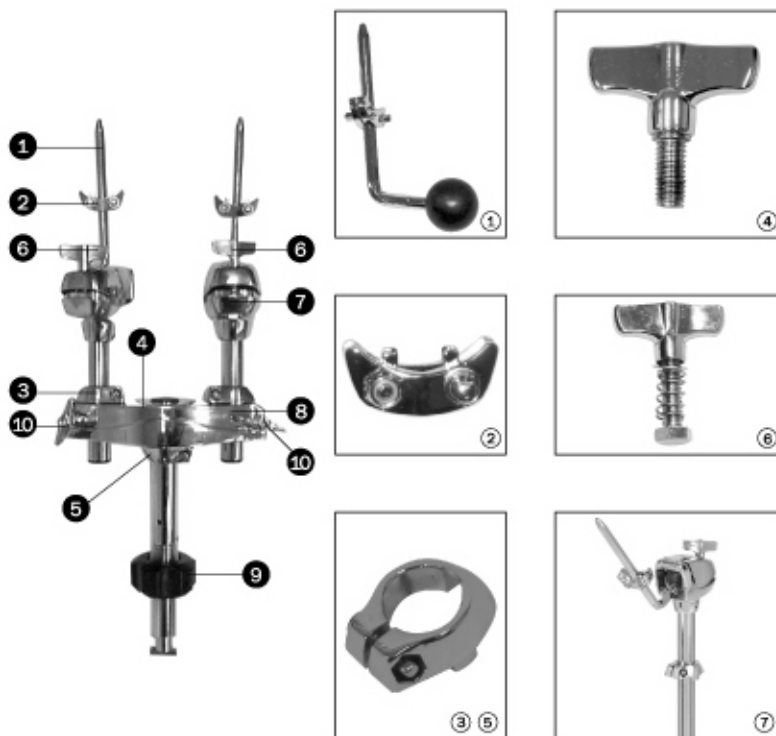
Orion Series Snare Drum / Tom Holder



Item number	Description
① 0109-1410X	14*SN Die-Cast Hoop,Batter Side, Chrome Plated, 10 Holes
0109-14102X	14*SN Die-Cast Hoop,Snare Side, Chrome Plated, 10 Holes
0109-1410GX	14*SN Die-Cast Hoop,Batter Side, Gold Plated, 10 Holes
0109-14102GX	14*SN Die-Cast Hoop,Snare Side, Gold Plated, 10 Holes
0109-1410BX	14*SN Die-Cast Hoop,Batter Side, Black Plated, 10 Holes
0109-14102BX	14*SN Die-Cast Hoop,Snare Side, Black Plated, 10 Holes
② 0322-114BT-MP	14*SN Head,Batter Side
0322-314SS-MP	14*SN Head,Snare Side
③ LUG-0711D	SN Lug Assy.,Chrome Plated (Type D)
LUG-0719D	SN Lug Assy.,Gold Plated (Type D)
LUG-0720D	SN Lug Assy.,Black Plated (Type D)
④ SF0550400HX	Tension Rod, Chrome Plated (1pc)
SF0550400GX	Tension Rod, Gold Plated (1pc)
SF0550400BX	Tension Rod, Black Plated (1pc)
M010-020	Washer (1pc)
⑤ 1900M12372A	Badge (w/Gasket and Screw)
⑥ 0619-1740A	SN Throw-off, Release Side Assy., Chrome Plated
0619-1840A	SN Throw-off, Butt Side Assy., Chrome Plated
0669-1740A	SN Throw-off, Release Side Assy., Gold Plated
0669-1840A	SN Throw-off, Butt Side Assy., Gold Plated
0689-1740A	SN Throw-off, Release Side Assy., Black Plated
0689-1840A	SN Throw-off, Butt Side Assy., Black Plated
⑦ 18794850A	14* Snare Wire, Chrome Plated
18794850GA	14* Snare Wire, Gold Plated
18794850BA	14* Snare Wire, Black Plated

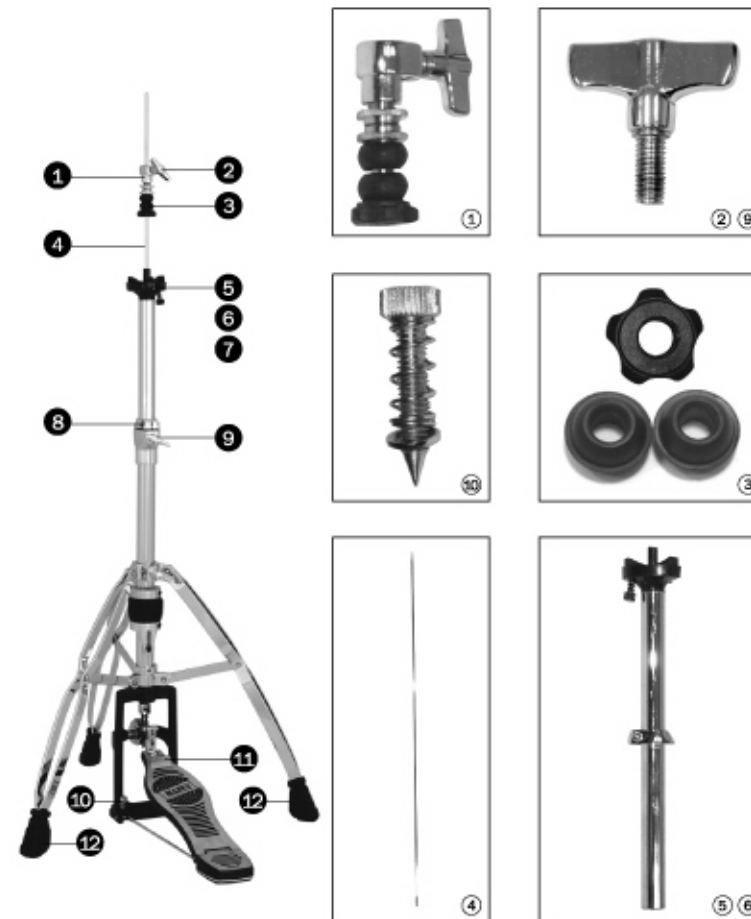
## TH685

Item number	Description
① 6801-024A	Ball Rod
② 6750-645A	Stop Lock Assy.
③ 6700-095A	Memory Lock for Tube dia. 22.2mm (0.9")
④ AZ0800170A	Wing Screw
⑤ 6600-095A	Memory Lock for Tube dia. 25.4mm (1")
⑥ 9700-9010A	Wing Nut / Bolt Assembly
⑦ 6700-625A	Tom Holder Arm
⑧ AC908	Multi-Use Mount Assy.
⑨ 6700-675	Adjustment Lock for Tom Holder
⑩ 0908-6010A	Wing Screw



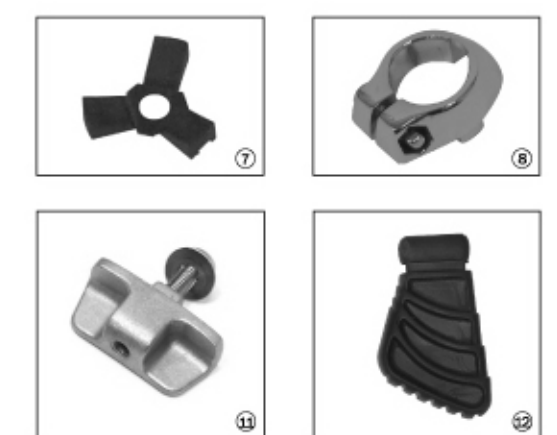
◀ S950A ▶

Item number	Description
① 1618-105	Rubber Sleeve(1 pc)
② AZ0800170A	Wing Screw
③ 6600-095A	Memory Lock for Tube dia. 25.4mm(1")
④ 1680-045	Rubber Foot(1 pc)



◀ H950A ▶

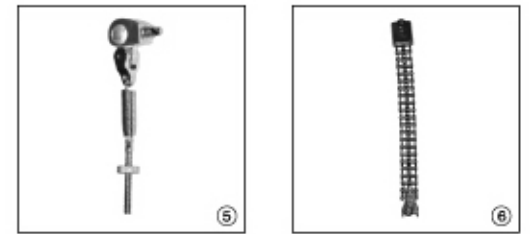
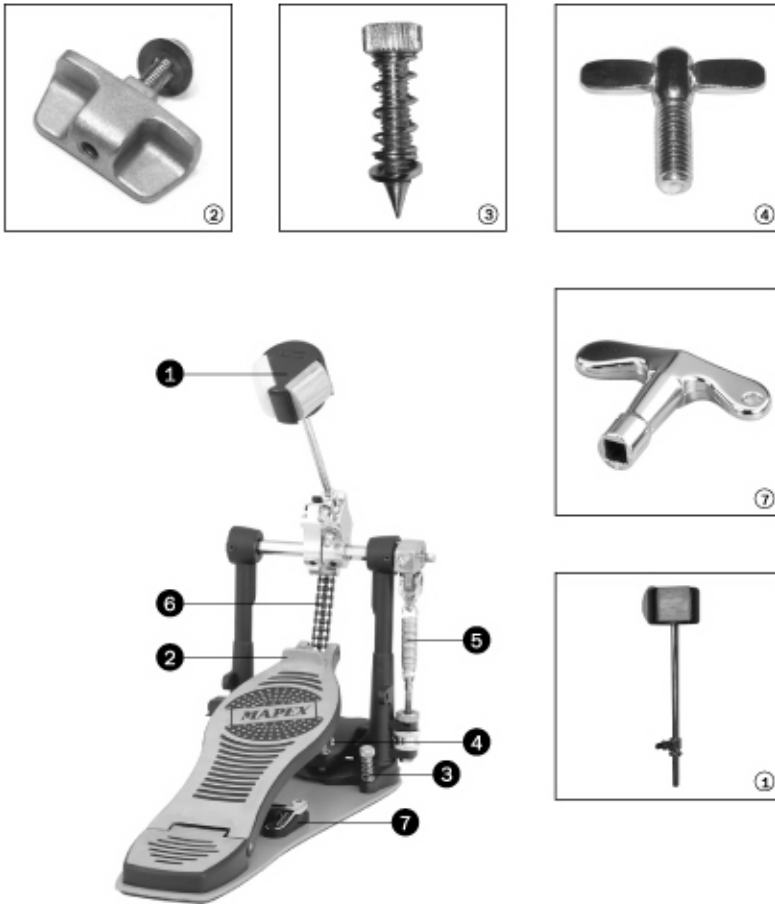
Item number	Description
① 2680-346A	Clutch Assy.
② AZ0600200A	Wing Screw
③ 2680-327A	O/S Cymbal Accentuator (2pcs/pack)
2680-327	O/S Cymbal Accentuator (1pc)
2671-360	Plastic Knob
④ 2114-380	Pull Rod of Upper Tube
⑤ 2680-075X	Upper Tube
⑥ 2680-320A	Cymbal Seat
⑦ 2680-326	Rubber Cymbal Base
⑧ 6600-095A	Memory Lock for Tube dia. 25.4mm(1")
⑨ AZ0800170A	Wing Screw
⑩ 2402-205A	Anchor Screw Assy.
⑪ 2412-230A	Toe Stopper Assy.
⑫ 1680-045	Rubber Foot (1pc)



Orion Series Snare Stand / Hi-Hat Stand

## ◀ P950A ▶

Item number	Description
① 4680-515A	Pedal Beater
② 2412-230A	Toe Stopper Assy.
③ 2402-205A	Anchor Screw Assy.
④ ST080020040	Wing Screw
⑤ 4680-560A	Spring Assy.
⑥ 4680-555A	Connector Assy. for Bearing Chain Assy.
⑦ 4A50-255X	Drum Key



## ◀ B950A ▶

Item number	Description
① 3680-484A	Boom Arm
② 3680-440A	Tilter Assy.
③ 3480-355A	O/S Cymbal Accentuator (2pcs/Pack)
④ 3480-355	O/S Cymbal Accentuator (1pc)
⑤ 3621-325	Cymbal Washer
⑥ NZ080020038	Wing Nut
⑦ 3480-3010A	Wing Nut/Bait Assembly
⑧ 3680-425A	Upper Tube
⑨ 6700-095A	Memory Lock for Tube dia 22.2mm(0.9")
⑩ AZ0800170A	Wing Screw
⑪ 6600-095A	Memory Lock for Tube dia 25.4mm(1")
⑫ 2215-075	Center Tube
⑬ 1680-045	Rubber Foot (1pc)

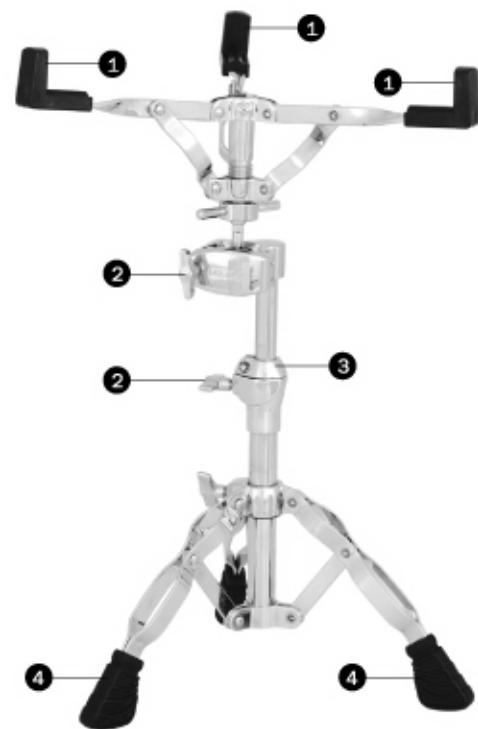




Item number | Description

- ① 0113-1800A-XX 18"BD Hoop, for Saturn Series
- 0113-2000A-XX 20"BD Hoop, for Saturn Series
- 0113-2200A-XX 22"BD Hoop, for Saturn Series
- 0113-2400A-XX 24"BD Hoop, for Saturn Series
- 0113-1800A-XX-B 18"BD Hoop (Dark Side), for Saturn Series
- 0113-2000A-XX-B 20"BD Hoop (Dark Side), for Saturn Series
- 0113-2200A-XX-B 22"BD Hoop (Dark Side), for Saturn Series
- 0113-2400A-XX-B 24"BD Hoop (Dark Side), for Saturn Series
  
- Replace xx with color code
- ② 0315-C18BB 18"BD Head, Batter Side
- 0315-C20BB 20"BD Head, Batter Side
- 0315-C22BB 22"BD Head, Batter Side
- 0315-C24BB 24"BD Head, Batter Side
- 0318-618BB 18"BD Black Head, Logo Side
- 0318-620BB 20"BD Black Head, Logo Side
- 0318-622BB 22"BD Black Head, Logo Side
- 0318-624BB 24"BD Black Head, Logo Side
- ③ LUG-0701D BD Lug Assy., Chrome Plated
- LUG-0798D BD Two Point Connect Lug Assy., Chrome Plated
  
- LUG-0702D BD Lug Assy., Chrome Plated (for ITS plate)
- 0704-891A BD Hook, Chrome Plated
- ④ SF0551000HX Tension Rod, Chrome Plated (1pc only)
  
- M010-020 Washer (1pc)
- ⑤ 1900M12370A Badge (w/ Gasket and screws)
- ⑥ 7600J1840A 18"Left BD Spur (w/o ITS)
- 7600J1841A 18"Right BD Spur (w/o ITS)
- 7700J2040A 20"Left BD Spur (w/ITS)
- 7700J2041A 20"Right BD Spur (w/ITS)
- 7700J2240A 22"Left BD Spur (w/ITS)
- 7700J2241A 22"Right BD Spur (w/ITS)
- 7700J2440A 24"Left BD Spur (w/ITS)
- 7700J2441A 24"Right BD Spur (w/ITS)
- 2618-045 Rubber Foot for BD Spur (1pc)
- ⑦ 6350B 18" BD Mount Complete
- 6600B6620A 20" BD Mount Complete
- 6600B6622A 22" BD Mount Complete
- AZ0800170A Wing Screw





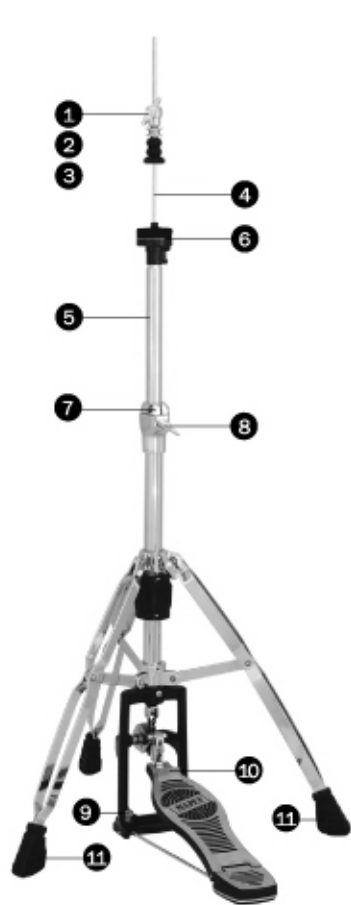
◀S750A▶

Item number	Description
① 1618-105	Rubber Sleeve (1pc)
② AZ0800170A	Wing Screw
③ 3480-095A	Memory Lock for Tube dia. 19.1mm (0.8*)
④ 1224-045	Rubber Foot (1pc)



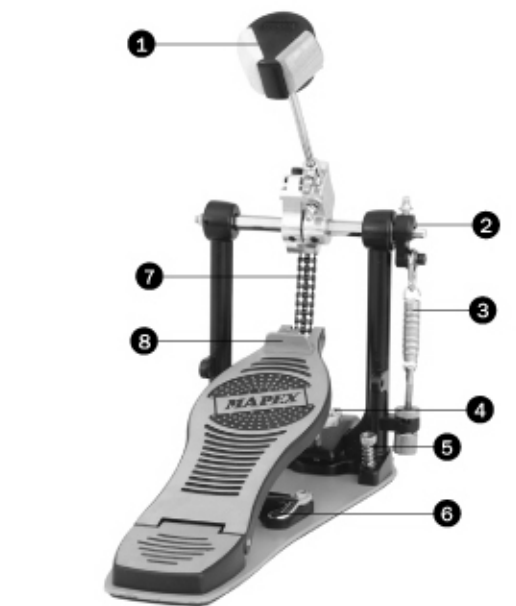
◀H750A▶

Item number	Description
① 2680-346A	Clutch
② AZ0600200A	Wing Screw
③ 2680-327A	O/S Cymbal Accentuator (2pcs/pack)
2680-327	O/S Cymbal Accentuator (1pc)
2671-360	Plastic Knob
④ 2114-380	Pull Rod of Upper Tube
⑤ 2565-075X	Upper Tube
2114-320A	Cymbal Seat
⑥ 2121-330	Felt Cymbal Base for H750A
⑦ 6700-095A	Memory Lock for Tube dia. 22.2mm(0.9*)
⑧ AZ0800170A	Wing Screw
⑨ 2402-205A	Anchor Screw Assy.
⑩ 2412-230A	Toe Stopper Assy.
⑪ 1224-045	Rubber Foot (1pc)



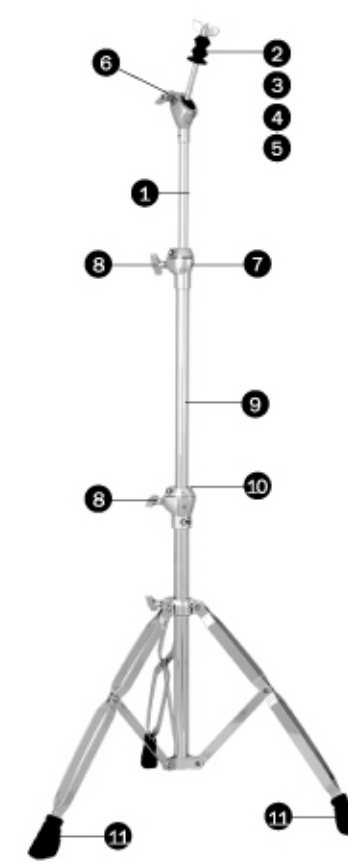
◀P750A▶

Item number	Description
① 4680-515A	Pedal Beater
② 4330-555A	Connector Complete for Bearing
③ 4450-560A	Spring Assy.
4450-567	Spring Hook
④ ST080020040	Wing Screw
⑤ 2402-205A	Anchor Screw Assy.
⑥ KZWA058	Drum Key
⑦ 4A50-255X	Chain Assy.
⑧ 2412-230A	Toe Stopper Assy.



◀C750A▶

Item number	Description
① 3475-484A	Boom Arm
② 3680-440A	Tilter Assy.
③ NZ080020038	Wing Nut
④ 3480-355A	O/S Cymbal Accentuator (2pcs/pack)
3480-355	O/S Cymbal Accentuator(1pc)
⑤ 3621-325	Cymbal Washer
⑥ 3480-3010A	Win Nut/Balt Assembly
⑦ 3730-095A	Memory Lock for Tube dia. 15.9mm (0.6*)
⑧ AZ0800170A	Wing Screw
⑨ 3650-075	Center Tube
⑩ 6700-095A	Memory Lock for Tube 22.2mm (0.9*)
⑪ 1224-045	Rubber Foot (1pc)



# Saturn Series

# Floor Tom & Tom Tom

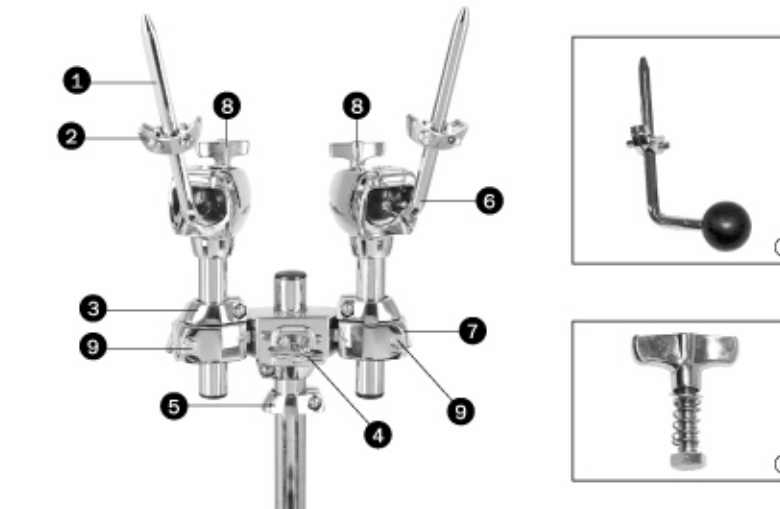
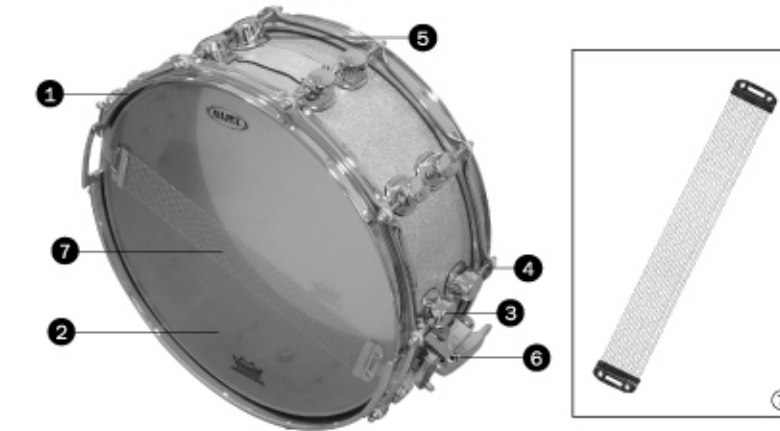
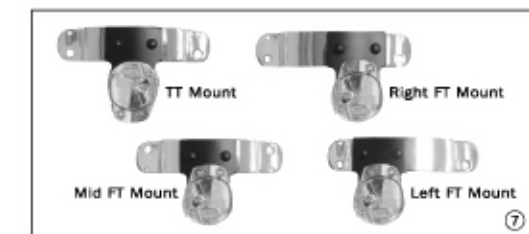
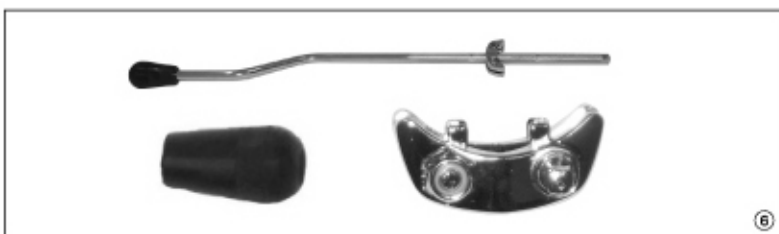
# Saturn Series

# Snare Drum / Tom Holder

Saturn Series Floor Tom & Tom Tom



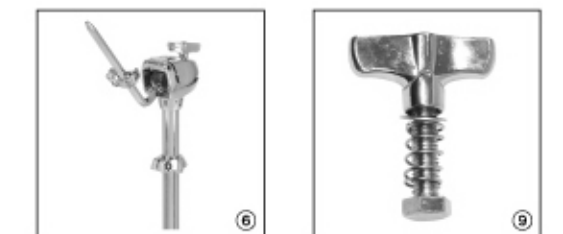
Item number	Description
① 0107-0804	8" TT Hoop, Chrome Plated, 4 Holes
0107-1006	10" TT Hoop, Chrome Plated, 6 Holes
0107-1206	12" TT Hoop, Chrome Plated, 6 Holes
0107-1306	13" TT Hoop, Chrome Plated, 6 Holes
0107-1408	14" TT/FT Hoop, Chrome Plated, 8 Holes
0107-1508	15" TT/FT Hoop, Chrome Plated, 8 Holes
0107-1608	16" TT/FT Hoop, Chrome Plated, 8 Holes
0107-1808	18" TT/FT Hoop, Chrome Plated, 8 Holes
② 0316-308BT	8" TT Head, 4 Holes (Batter/Bottom)
0316-310BT	10" TT Head, 6 Holes (Batter/Bottom)
0316-312BT	12" TT Head, 6 Holes (Batter/Bottom)
0316-313BT	13" TT Head, 6 Holes (Batter/Bottom)
0316-314BT	14" TT/FT Head, 8 Holes (Batter/Bottom)
0316-315BT	15" TT/FT Head, 8 Holes (Batter/Bottom)
0316-316BT	16" TT/FT Head, 8 Holes (Batter/Bottom)
0316-318BT	18" TT/FT Head, 8 Holes (Batter/Bottom)
③ LUG-0711D	Lug Assy., Chrome Plated
LUG-0712D	Lug Assy., Chrome Plated (for ITS plate)
④ SF0550450HX	Tension Rod, Chrome Plated (1pc)
M010-020	Washer (1pc)
⑤ 1900M12370A	Badge (w/Gasket and screws)
⑥ 34671880A	FT Leg (1pc)
6750-645A	Stop Lock for FT Leg (1pc)
34340685A	Rubber Foot for FT Leg (1pc)
⑦ 6750M2085A	8" TT Mount (w/ITS)
6750M2105A	10" TT Mount (w/ITS)
6750M2125A	12" TT Mount (w/ITS)
6750M2135A	13" TT Mount (w/ITS)
6750M2145A	14" TT Mount (w/ITS)
6750M2155A	15" TT Mount (w/ITS)
6750M2165A	16" TT Mount (w/ITS)
6750M3147A	14" Left FT Mount (w/ITS)
6750M3145A	14" Mid FT Mount (w/ITS)
6750M3146A	14" Right FT Mount (w/ITS)
6750M3157A	15" Left FT Mount (w/ITS)
6750M3155A	15" Mid FT Mount (w/ITS)
6750M3156A	15" Right FT Mount (w/ITS)
6750M3167A	16" Left FT Mount (w/ITS)
6750M3165A	16" Mid FT Mount (w/ITS)
6750M3166A	16" Right FT Mount (w/ITS)
6750M3187A	18" Left FT Mount (w/ITS)
6750M3185A	18" Mid FT Mount (w/ITS)
6750M3186A	18" Right FT Mount (w/ITS)
⑧ NZ080024044	Wing Nut (1pc)



Item number	Description
① 0107-1410	14" SN Hoop, Batter Side, Chrome Plated, 10 Holes
0107-14102A	14" SN Hoop, Snare Side, Chrome Plated, 10 Holes
0107-1308	13" SN Hoop, Batter Side, Chrome Plated, 8 Holes
0107-13081	13" SN Hoop, Snare Side, Chrome Plated, 8 Holes
② 0322-114BT-MP	14" SN Head, Batter Side, Chrome Plated
0322-314SS-MP	14" SN Head, Snare Side, Chrome Plated
0322-113BT-MP	13" SN Head, Batter Side, Chrome Plated
0322-313SS-MP	13" SN Head, Snare Side, Chrome Plated
③ LUG-0711D	SN Lug, Chrome Plated (Type D)
④ SF0550400HX	Tension Rod, Chrome Plated (1pc)
M010-020	Washer (1pc)
⑤ 1900M12370A	Badge (w/Gasket and Screw)
⑥ 0640-1760A	SN Throw-off, Release Side Assy., Chrome Plated
0640-1860A	SN Throw-off, Butt Side Assy., Chrome Plated
⑦ 18794850A	14" Snare Wire, Chrome Plated
1K394850A	13" Snare Wire, Chrome Plated

## ◀ TH682 ▶

Item number	Description
① 6801-024A	Ball Rod
② 6750-645A	Stop Lock Assy.
③ 6700-095A	Memory Lock for Tube dia. 22.2mm (0.9")
④ AZ0800170A	Wing Screw
⑤ 6600-095A	Memory Lock for Tube dia. 25.4mm (1")
⑥ 6700-625A	Tom Holder Arm
⑦ AC908	Multi-Use Mount Assy.
⑧ 9700-9010A	Wing Nut/Bolt Assy.
⑨ 0908-6010A	Wing Screw

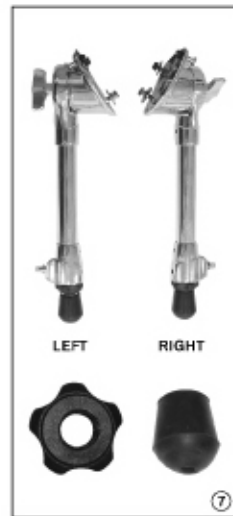


Saturn Series Snare Drum / Tom Holder



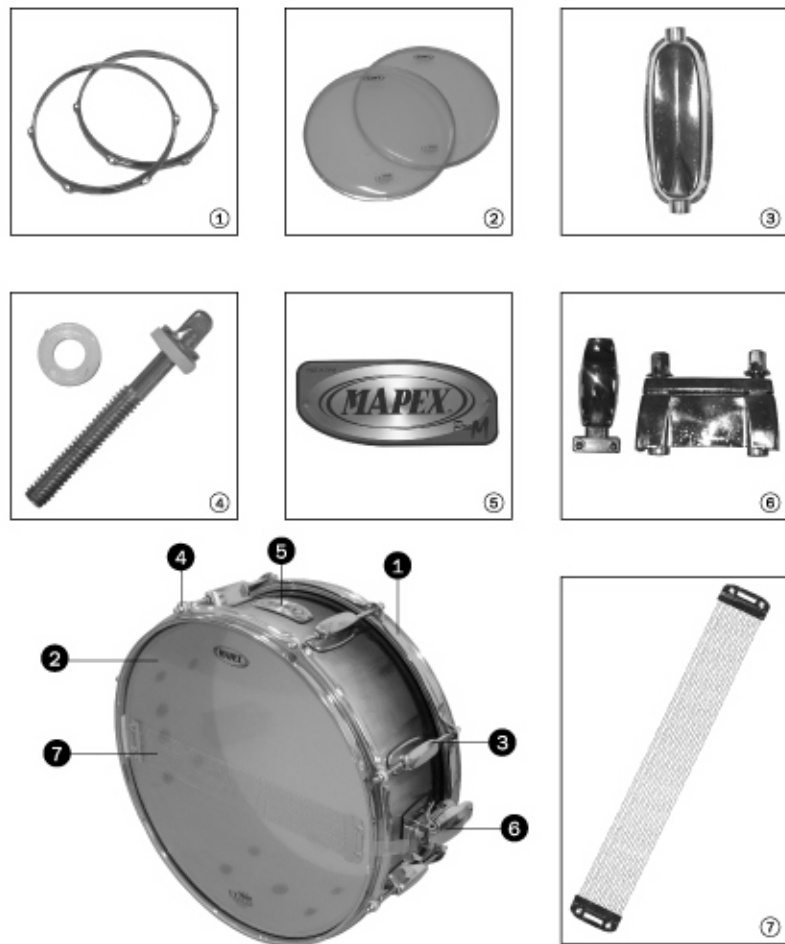


Item number	Description
①	0123-1800A-XX 18"BD Hoop, for Pro M Series 0123-2000A-XX 20"BD Hoop, for Pro M Series 0123-2200A-XX 22"BD Hoop, for Pro M Series 0123-2400A-XX 24"BD Hoop, for Pro M Series 0123-1800A-XX-B 18"BD Hoop (Dark Side), for Pro M Series 0123-2000A-XX-B 20"BD Hoop (Dark Side), for Pro M Series 0123-2200A-XX-B 22"BD Hoop (Dark Side), for Pro M Series 0123-2400A-XX-B 24"BD Hoop (Dark Side), for Pro M Series
	0127-1800A-XX 18"BD Hoop, for Pro M Covering Series 0127-2000A-XX 20"BD Hoop, for Pro M Covering Series 0127-2200A-XX 22"BD Hoop, for Pro M Covering Series 0127-2400A-XX 24"BD Hoop, for Pro M Covering Series
	Replace xx with color code
②	0334-418BB 18"BD Head, Batter Side 0334-420BB 20"BD Head, Batter Side 0334-422BB 22"BD Head, Batter Side 0334-424BB 24"BD Head, Batter Side 0334-618CB 18"BD Black Head, Logo Side 0334-620CB 20"BD Black Head, Logo Side 0334-622CB 22"BD Black Head, Logo Side 0334-624CB 24"BD Black Head, Logo Side
③	LUG-0703N BD Lug Assy., Chrome Plated LUG-0704N BD Lug Assy., Chrome Plated (for ITS plate)
④	0704-891 BD Hook, Chrome Plated
⑤	SF0551000HX Tension Rod, Chrome Plated (1pc) M010-020 Washer (1pc)
⑥	1900M12368A Badge (w/Gasket and screws)
⑦	7550J0040A Left BD Spur 7550J0041A Right BD Spur 7201-675 Adjustment Knob 7201-685A Rubber Foot for BD Spur (1pc)
⑧	6600B6520A 20"BD Mount Complete 6600B6522A 22"BD Mount Complete 6350B 18"BD Mount Complete AZ0800170A Wing Screw (1pc)



Item number	Description
①	0107-0804 8"TT Hoop, Chrome Plated, 4 Holes 0107-1006 10"TT Hoop, Chrome Plated, 6 Holes 0107-1206 12"TT Hoop, Chrome Plated, 6 Holes 0107-1306 13"TT Hoop, Chrome Plated, 6 Holes 0107-1408 14"TT / FT Hoop, Chrome Plated, 8 Holes 0107-1508 15"TT / FT Hoop, Chrome Plated, 8 Holes 0107-1608 16"TT / FT Hoop, Chrome Plated, 8 Holes 0107-1808 18"TT / FT Hoop, Chrome Plated, 8 Holes
②	0334-308BT 8"TT Head, Batter Side 0334-310BT 10"TT Head, Batter Side 0334-312BT 12"TT Head, Batter Side 0334-313BT 13"TT Head, Batter Side 0334-314BT 14"TT / FT Head, Batter Side 0334-315BT 15"TT / FT Head, Batter Side 0334-316BT 16"TT / FT Head, Batter Side 0334-318BT 18"TT / FT Head, Batter Side 0334-308CT 8"TT Head, Bottom Side 0334-310CT 10"TT Head, Bottom Side 0334-312CT 12"TT Head, Bottom Side 0334-313CT 13"TT Head, Bottom Side 0334-314CT 14"TT / FT Head, Bottom Side 0334-315CT 15"TT / FT Head, Bottom Side 0334-316CT 16"TT / FT Head, Bottom Side 0334-318CT 18"TT / FT Head, Bottom Side
③	LUG-0701N Lug Assy., Chrome Plated LUG-0702N Lug Assy., Chrome Plated (for ITS plate)
④	SF0550450HX Tension Rod, Chrome Plated (1pc) M010-020 Washer (1pc)
⑤	1900M12368A Badge (w/Gasket and screws)
⑥	34651880A FT Leg (1pc) 34340685A Rubber Foot for FT Leg (1pc)
⑦	6750M2083A 8"TT Mount (w/ITS) 6750M2103A 10" TT Mount (w/ITS) 6750M2123A 12" TT Mount (w/ITS) 6750M2133A 13" TT Mount (w/ITS) 6750M2143A 14" TT Mount (w/ITS) 6750M2163A 16" TT Mount (w/ITS) 6745M TT / FT Mount NZ080024044 Wing Nut (1pc)

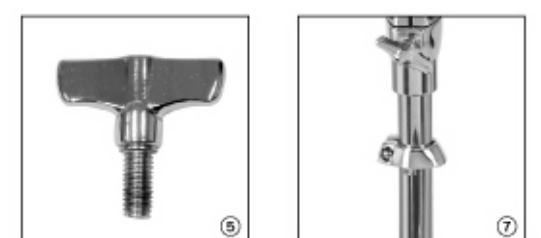




Item number	Description
① 0107-1408	14" SN Hoop, Batter Side, Chrome Plated, 8 Holes
0107-14081	14" SN Hoop, Snare Side, Chrome Plated, 8 Holes
0107-1308	13" SN Hoop, Batter Side, Chrome Plated, 8 Holes
0107-13081	13" SN Hoop, Snare Side, Chrome Plated, 8 Holes
② 0334-114BT	14" SN Head, Batter Side
0334-314SS	14" SN Head, Snare Side
0334-113BT	13" SN Head, Batter Side
0334-313SS	13" SN Head, Snare Side
③ LUG-0722P	Lug Assy. (Type P)
④ SF0550450HX	Tension Rod, Chrome Plated (1pc)
M010-020	Washer (1pc)
⑤ 1900M12368A	Badge (w/Gasket and Screw)
⑥ 0630-1760A	SN Throw-off, Release Side Assy., Chrome Plated
0630-1860A	SN Throw-off, Butt Side Assy., Chrome Plated
0629-1760A	SN Throw-off, Release Side Assy., Chrome Plated (for Height 5" Only)
⑦ 18794850A	14" Snare Wire, Chrome Plated
1K394850A	13" Snare Wire, Chrome Plated

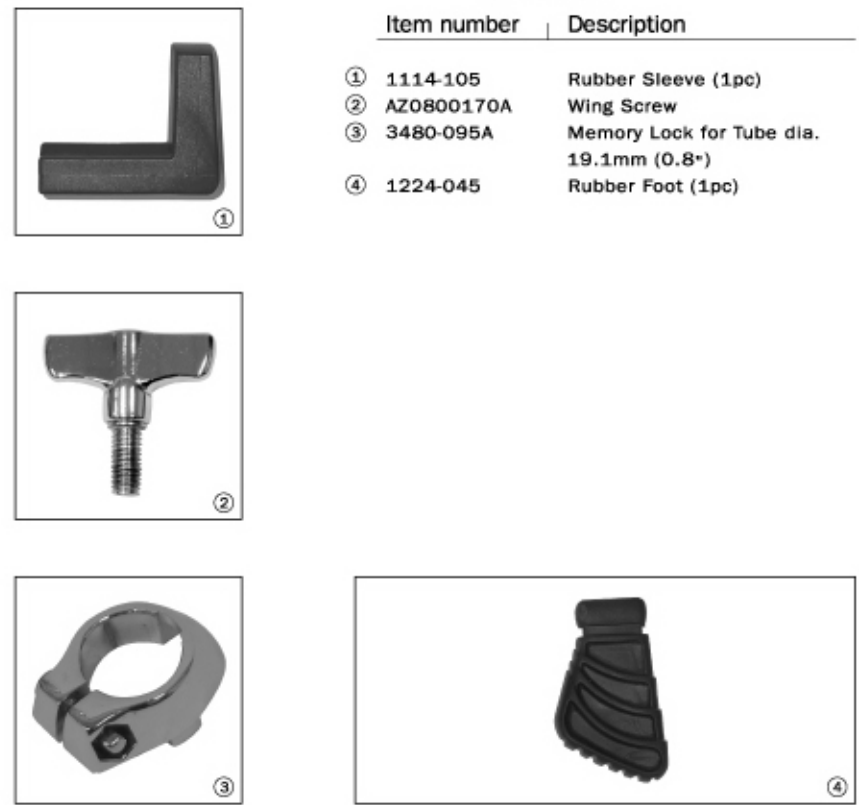
◀TH675▶

Item number	Description
① 6801-024A	Ball Rod
② 6750-645A	Stop Lock Assy.
③ 6700-095A	Memory Lock for Tube dia. 22.2mm (0.9")
④ 9550-9010A	Wing Nut/Balt Assembly
⑤ AZ0800170A	Wing Screw
⑥ 6600-095A	Memory Lock for Tube dia. 25.4mm (1")
⑦ 6705-075A	Base Tube Assy.



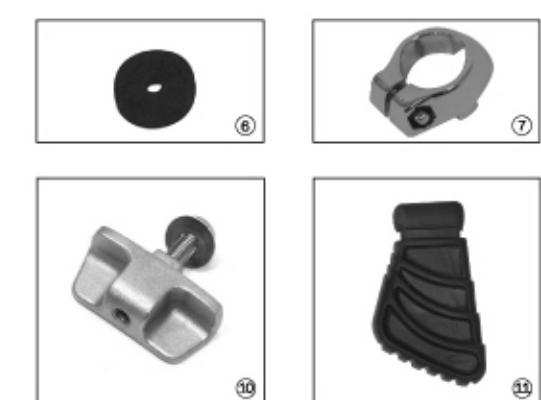
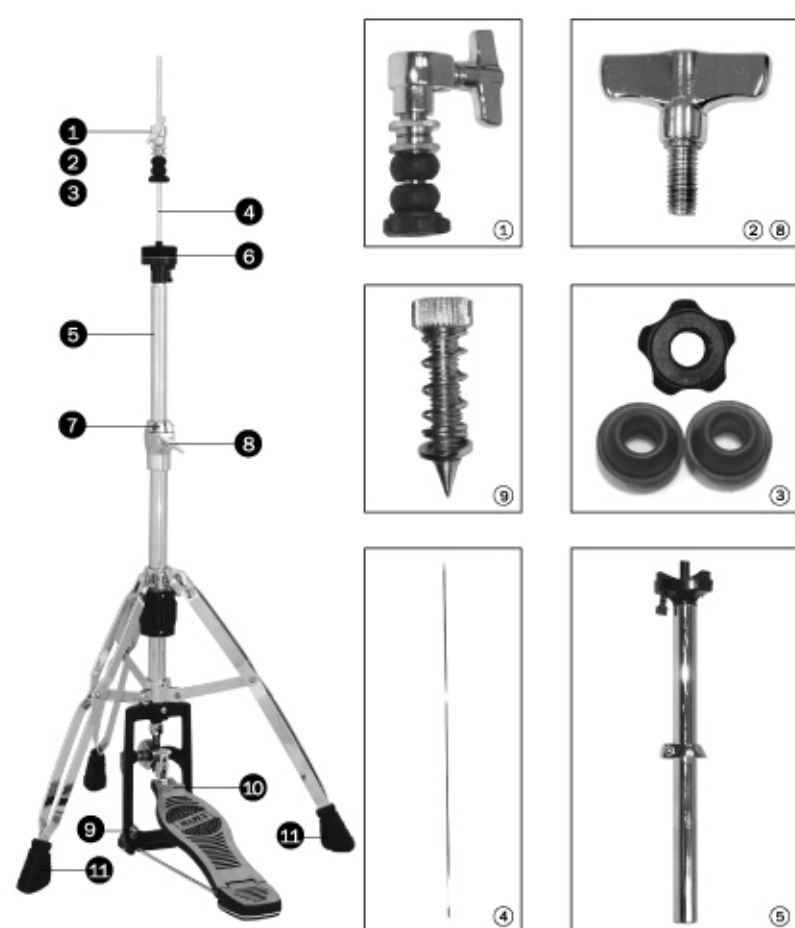
◀S550A▶

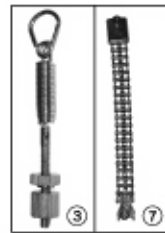
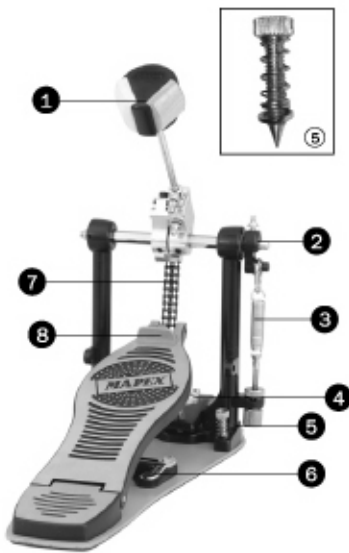
Item number	Description
① 1114-105	Rubber Sleeve (1pc)
② AZ0800170A	Wing Screw
③ 3480-095A	Memory Lock for Tube dia. 19.1mm (0.8")
④ 1224-045	Rubber Foot (1pc)



◀H750A▶

Item number	Description
① 2680-346A	Clutch
② AZ0600200A	Wing Screw
③ 2680-327A	O/S Cymbal Accentuator (2pcs/pack)
2680-327	O/S Cymbal Accentuator (1pc)
2671-360	Plastic Knob
④ 2114-380	Pull Rod of Upper Tube
⑤ 2565-075X	Upper Tube
2114-320A	Cymbal Seat
⑥ 2121-330	Felt Cymbal Base for H750A
⑦ 6700-095A	Memory Lock for Tube dia. 22.2mm(0.9")
⑧ AZ0800170A	Wing Screw
⑨ 2402-205A	Anchor Screw Assy.
⑩ 2412-230A	Toe Stopper Assy.
⑪ 1224-045	Rubber Foot (1pc)





### ◀ P750A ▶

Item number | Description

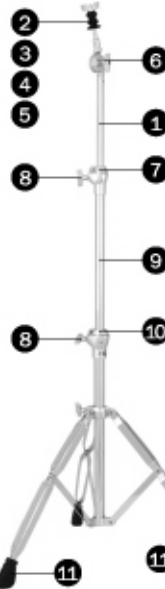
- ① 4680-515A Pedal Beater
- ② 4330-555A Connector Complete for Bearing
- ③ 4450-560A Spring Assy.
- 4450-567 Spring Hook
- ④ ST080020040 Wing Screw
- ⑤ 2402-205A Anchor Screw Assy.
- ⑥ KZWA058 Drum Key
- ⑦ 4A50-255X Chain Assy.
- ⑧ 2412-230A Toe Stopper Assy.



### ◀ C550A ▶

Item number | Description

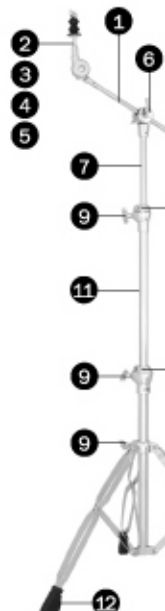
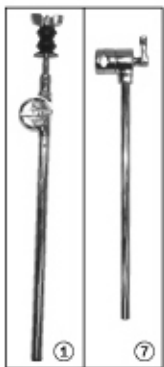
- ① 3365-484A Upper Tube
- ② 3402-430A Tilter
- ③ NZ080020038 Wing nut
- ④ 3480-355A O/S Cymbal Accentuator (2pcs/pack)
- 3480-355 O/S Cymbal Accentuator(1pc)
- ⑤ 3621-325 Cymbal Washer
- ⑥ 3224-3010A Wing Nut / Bolt Assembly
- ⑦ 3730-095A Memory Lock for Tube dia. 15.9mm (0.6")
- ⑧ AZ0800170A Wing Screw
- ⑨ 3650-075 Center Tube
- ⑩ 6700-095A Memory Lock for Tube dia. 22.2mm (0.9")
- ⑪ 1224-045 Rubber Foot (1pc)



### ◀ B550A ▶

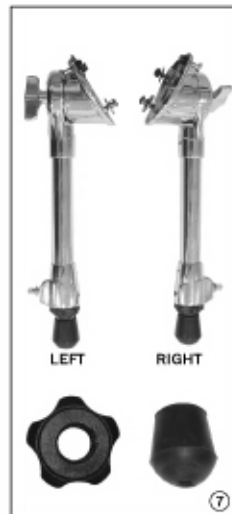
Item number | Description

- ① 3665-484A Boom Arm
- ② 3402-430A Tilter
- ③ NZ080020038 Wing Nut
- ④ 3480-355A O/S Cymbal Accentuator (2pcs/pack)
- 3480-355 O/S Cymbal Accentuator(1pc)
- ⑤ 3621-325 Cymbal Washer
- ⑥ 3224-3010A Wing Nut / Bolt Assembly
- ⑦ 3665-425A Upper Tube
- ⑧ 6700-095A Memory Lock for Tube dia. 22.2mm(0.9")
- ⑨ AZ0800170A Wing Screw
- ⑩ 3730-095A Memory Lock for Tube dia. 25.4mm (1")
- ⑪ 3650-075 Center Tube
- ⑫ 1224-045 Rubber Foot (1pc)



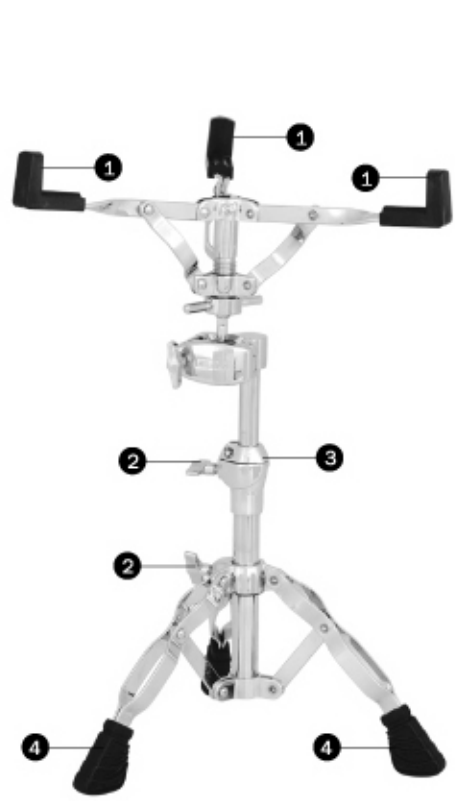


Item number	Description
① 0125-1800A-XX 0125-2000A-XX 0125-2200A-XX	18"BD Hoop, for M Series 20"BD Hoop, for M Series 22"BD Hoop, for M Series Replace xx with color code
② 0334-418BB 0334-420BB 0334-422BB 0334-618CB 0334-620CB 0334-622CB	18"BD Head, Batter Side 20"BD Head, Batter Side 22"BD Head, Batter Side 18"BD Black Head, Logo Side 20"BD Black Head, Logo Side 22"BD Black Head, Logo Side
③ LUG-0713P	Lug Assy. Chrome Plated
④ 0704-891	BD Hook, Chrome Plated
⑤ SFM0551000H	Tension Rod, Chrome Plated (1pc)
⑥ 1900M12366A	Badge (w/Gasket and screws)
⑦ 7550J0040A 7550J0041A 7201-675	Left BD Spur Right BD Spur Adjustment Knob
7201-685A	Rubber Foot for BD Spur (1pc)
⑧ 6350B AZ0800170A	BD Mount Complete Wing Screw (1pc)



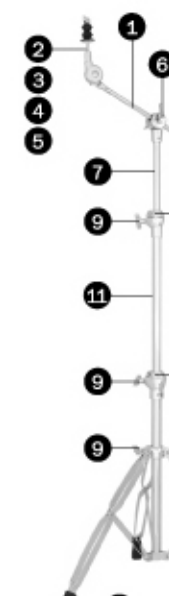
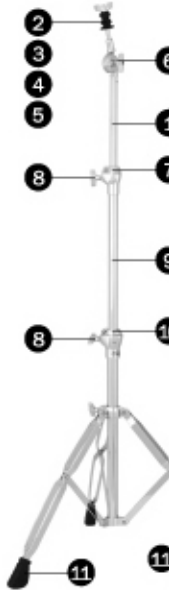
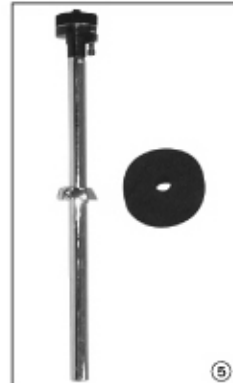
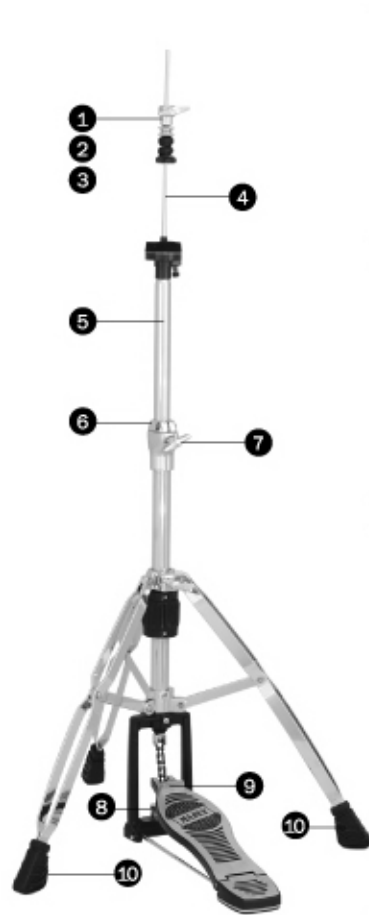
◀ S550A ▶

Item number	Description
① 1114-105	Rubber Sleeve (1pc)
② AZ0800170A	Wing Screw
③ 3480-095A	Memory Lock for Tube dia. 19.1mm (0.8")
④ 1224-045	Rubber Foot (1pc)



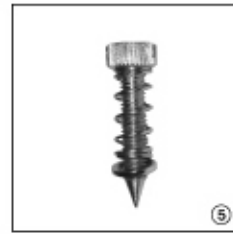
◀ H550A ▶

Item number	Description
① 2680-346A	Clutch
② AZ0600200A	Wing Screw
③ 2680-327A	O/S Cymbal Accentuator (2pcs / pack)
2680-327	O/S Cymbal Accentuator (1pc)
2671-360	Plastic Knob
④ 2114-380	Pull Rod of Upper Tube
⑤ 2565-075X	Upper Tube
2114-320A	Cymbal Seat
2121-330	Felt Cymbal Base
⑥ 6700-095A	Memory Lock for Tube dia. 22.2mm(0.9")
⑦ AZ0800170A	Wing Screw
⑧ 2402-205A	Anchor Screw Assy.
⑨ 2412-230A	Toe Stopper Assy.
⑩ 1224-045	Rubber Foot (1pc)



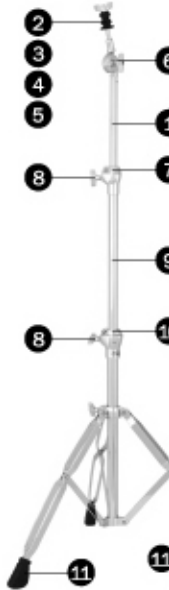
◀ P550A ▶

Item number	Description
① 4680-515X	Pedal Beater
② 4330-555A	Connector Complete for Bearing
③ 4450-560A	Spring Assy.
4450-567	Spring Hook
④ ST080020040	Wing Screw
⑤ 2402-205A	Anchor Screw Assy.
⑥ 4851-245A	Rails Assy.



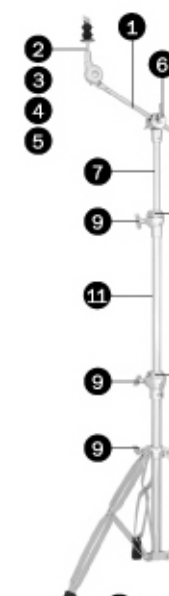
◀ C550A ▶

Item number	Description
① 3365-484A	Upper Tube
② 3402-430A	Tilter
③ NZ080020038	Wing nut
④ 3480-355A	O/S Cymbal Accentuator (2pcs/pack)
3480-355	O/S Cymbal Accentuator(1pc)
⑤ 3621-325	Cymbal Washer
⑥ 3224-3010A	Wing Nut / Bolt Assembly
⑦ 3730-095A	Memory Lock for Tube dia. 15.9mm (0.6")
⑧ AZ0800170A	Wing Screw
⑨ 3650-075	Center Tube
⑩ 6700-095A	Memory Lock for Tube dia. 22.2mm (0.9")
⑪ 1224-045	Rubber Foot (1pc)



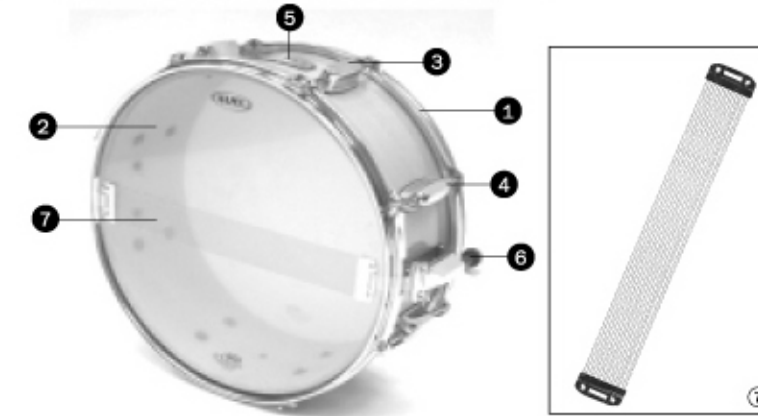
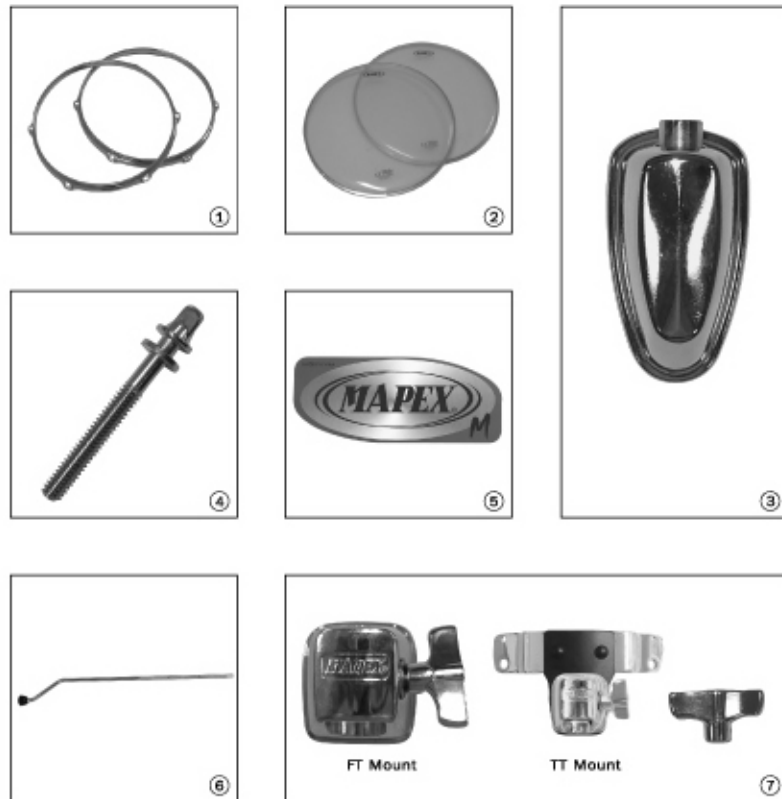
◀ B550A ▶

Item number	Description
① 3665-484A	Boom Arm
② 3402-430A	Tilter
③ NZ080020038	Wing Nut
④ 3480-355A	O/S Cymbal Accentuator (2pcs/pack)
3480-355	O/S Cymbal Accentuator(1pc)
⑤ 3621-325	Cymbal Washer
⑥ 3224-3010A	Wing Nut / Bolt Assembly
⑦ 3665-425A	Upper Tube
⑧ 6700-095A	Memory Lock for Tube dia. 22.2mm(0.9")
⑨ AZ0800170A	Wing Screw
⑩ 3730-095A	Memory Lock for Tube dia. 25.4mm (1")
⑪ 3650-075	Center Tube
⑫ 1224-045	Rubber Foot (1pc)





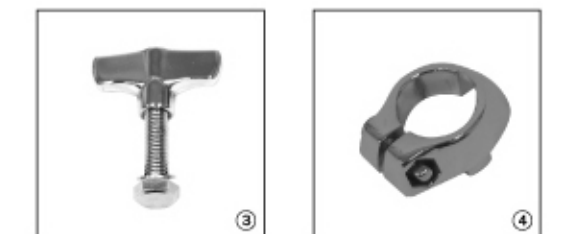
Item number	Description
① 0101-0804	8" TT Hoop, Chrome Plated, 4 Holes
0101-1006	10" TT Hoop, Chrome Plated, 6 Holes
0101-1206	12" TT Hoop, Chrome Plated, 6 Holes
0101-1306	13" TT Hoop, Chrome Plated, 6 Holes
0101-1406	14" TT / FT Hoop, Chrome Plated, 6 Holes
0101-1606	16" TT / FT Hoop, Chrome Plated, 6 Holes
0101-1806	18" TT / FT Hoop, Chrome Plated, 6 Holes
② 0334-308BT	8" TT Head, Batter Side
0334-310BT	10" TT Head, Batter Side
0334-312BT	12" TT Head, Batter Side
0334-313BT	13" TT Head, Batter Side
0334-314BT	14" TT / FT Head, Batter Side
0334-316BT	16" TT / FT Head, Batter Side
0334-318BT	18" TT / FT Head, Batter Side
0334-308CT	8" TT Head, Bottom Side
0334-310CT	10" TT Head, Bottom Side
0334-312CT	12" TT Head, Bottom Side
0334-313CT	13" TT Head, Bottom Side
0334-314CT	14" TT / FT Head, Bottom Side
0334-316CT	16" TT / FT Head, Bottom Side
0334-318CT	18" TT / FT Head, Bottom Side
③ LUG-0711P	Lug Assy.
LUG-0714P	Lug Assy. (for ITS plate)
④ SFM0550450H	Tension Rod, Chrome Plated (1pc)
⑤ 1900M12366A	Badge (w/Gasket and screws)
⑥ 34601880A	FT Leg (1pc)
34602685	Rubber Foot for FT Leg (1pc)
⑦ 6460M2083A	8" TT Mount (w/ITS)
6460M2103A	10" TT Mount (w/ITS)
6460M2123A	12" TT Mount (w/ITS)
6460M2133A	13" TT Mount (w/ITS)
6460M2143A	14" TT Mount (w/ITS)
6460M2163A	16" TT Mount (w/ITS)
6250M	FT Mount
NZ080024044	Wing Nut (1pc)



Item number	Description
① 0101-1408	14" SN Hoop, Batter Side, Chrome Plated, 8 Holes
0101-14081	14" SN Hoop, Snare Side, Chrome Plated, 8 Holes
② 0334-114BT	14" SN Head, Batter Side
0334-314SS	14" SN Head, Snare Side
③ LUG-0722P	Lug Assy. (Type P)
④ SFM0550450H	Tension Rod, Chrome Plated (1pc)
⑤ 1900M12366A	Badge (w/Gasket and Screw)
⑥ 0622-1720A	SN Throw-off, Release Side Assy., Chrome Plated
0622-1820A	SN Throw-off, Butt Side Assy., Chrome Plated
⑦ 18323850A	14" Snare Wire, Chrome Plated

◀ TH650 ▶

Item number	Description
① 6801-024	Ball Rod
② 6200-645A	Stop Lock for Tom Holder
③ 9550-9010A	Wing Nut / Bolt Assembly
④ 6600-095A	Memory Lock for Tube dia. 25.4mm (1")

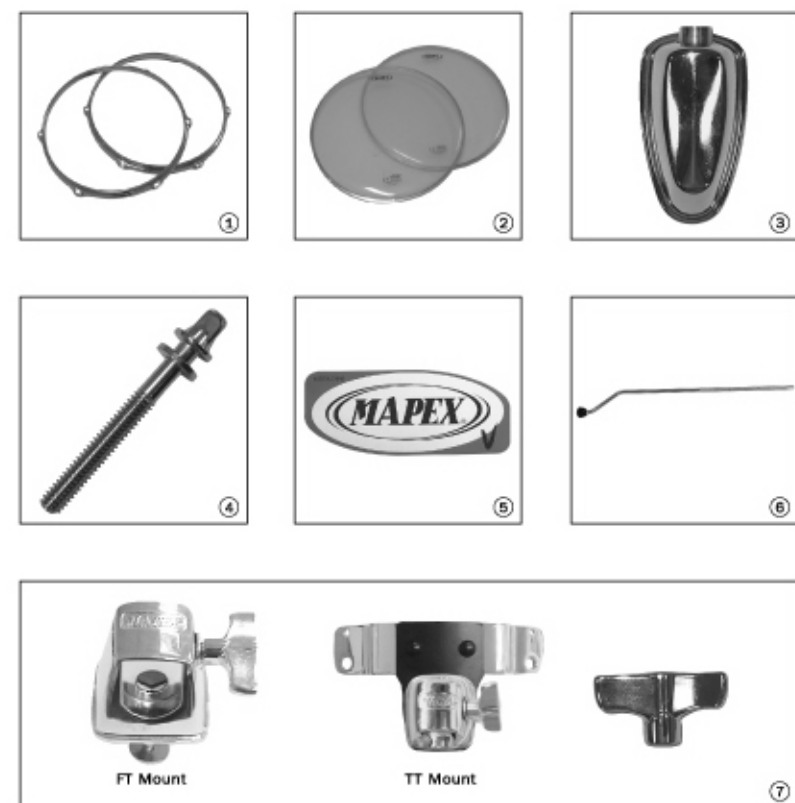




Item number	Description
①	0112-1800A-XX 18"BD Hoop for Covering 0112-2000A-XX 20"BD hoop for Covering 0112-2200A-XX 22"BD Hoop for Covering 0119-1800A-XX 18"BD Hoop for Lacquering 0119-2000A-XX 20"BD Hoop for Lacquering 0119-2200A-XX 22"BD Hoop for Lacquering Replace xx with color code
②	0246-418BB-MP 18"BD Head, Batter Side 0246-420BB-MP 20"BD Head, Batter Side 0246-422BB-MP 22"BD Head, Batter Side 0246-618CB-MP 18"BD Black Head, Logo Side 0246-620CB-MP 20"BD Black Head, Logo Side 0246-622CB-MP 22"BD Black Head, Logo Side
③	LUG-0703P Lug Assy.for Lacquering LUG-0743P Lug Assy.for Covering
④	0704-891 BD Hook, Chrome Plated
⑤	SFM0551000H Tension Rod, Chrome Plated (1pc)
⑥	1900M12376A Badge (w/Gasket and screws)
⑦	7230J0001A BD Spur 7201-675 Adjustment Knob 7201-685A Rubber Foot for BD Spur (1pc)
⑧	6300B BD Mount Complete AZ0800170A Wing Screw (1pc)



Item number	Description
①	0101-0804 8"TT Hoop, Chrome Plated, 4 Holes 0101-1006 10"TT Hoop, Chrome Plated, 6 Holes 0101-1206 12"TT Hoop, Chrome Plated, 6 Holes 0101-1306 13"TT Hoop, Chrome Plated, 6 Holes 0101-1406 14"TT / FT Hoop, Chrome Plated, 6 Holes 0101-1606 16"TT / FT Hoop, Chrome Plated, 6 Holes 0101-1806 18"TT / FT Hoop, Chrome Plated, 6 Holes
②	0246-308CT-MP 8"TT Head 0246-310CT-MP 10"TT Head 0246-312CT-MP 12"TT Head 0246-313CT-MP 13"TT Head 0246-314CT-MP 14"TT / FT Head 0246-316CT-MP 16"TT / FT Head 0246-318CT-MP 18"TT / FT Head
③	LUG-0701P Lug Assy., Chrome Plated (for Lacquering) LUG-0741P Lug Assy., Chrome Plated (for Covering)
④	SFM0550450H Tension Rod, Chrome Plated (1pc)
⑤	1900M12376A Badge (w/ Gasket and screws)
⑥	34601880A FT Leg (1pc) 34602685 Rubber Foot for FT Leg (1pc)
⑦	6460M2083A 8" TT Mount (w/ITS) 6460M2103A 10" TT Mount (w/ITS) 6460M2123A 12" TT Mount (w/ITS) 6460M2133A 13" TT Mount (w/ITS) 6460M2143A 14" TT Mount (w/ITS) 6460M2163A 16" TT Mount (w/ITS) 6200M TT / FT Mount (w/o ITS) NZ080024044 Wing Nut (1pc)



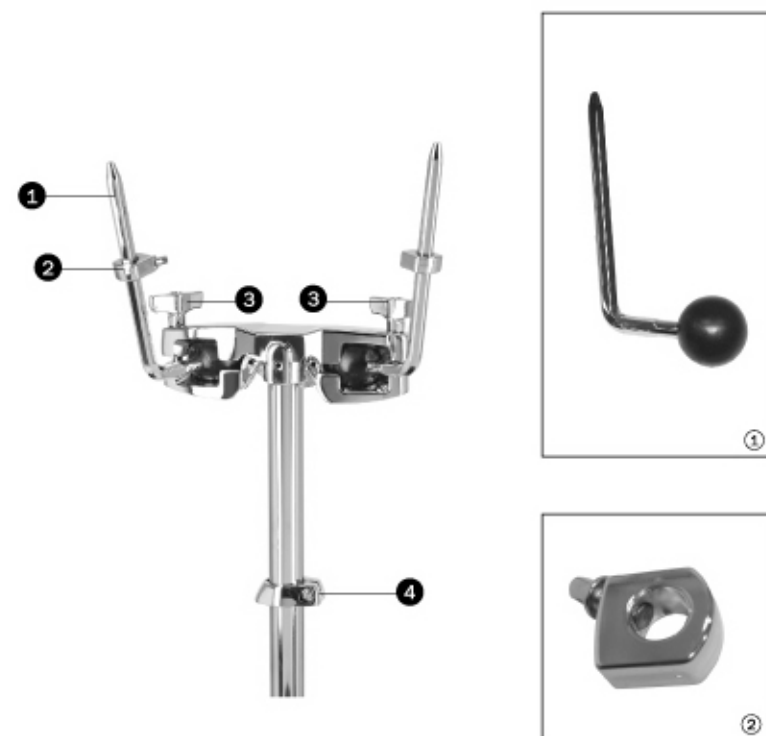


Item number	Description
① 0101-1408	14" SN Hoop, Batter Side, Chrome Plated, 8 Holes
0101-14081	14" SN Hoop, Snare Side, Chrome Plated, 8 Holes
② 0246-114CT-MP	14" SN Head, Batter Side
0246-314SS-MP	14" SN Head, Snare Side
③ LUG-0742P	Lug Assy. for Covering
LUG-0712P	Lug Assy. for Lacquering
④ SFM0550450H	Tension Rod, Chrome Plated (1pc)
⑤ 1900M12376A	Badge (w/Gasket and Screw)
⑥ 0612-1720A	SN Throw-off, Release Side Assy., Chrome Plated
0612-1820A	SN Throw-off, Butt Side Assy., Chrome Plated
⑦ 18323850A	14" Snare Wire, Chrome Plated



◀ TH650 ▶

Item number	Description
① 6801-024	Ball Rod
② 6200-645A	Stop Lock for Tom Holder
③ 9550-9010A	Wing Nut / Bolt Assembly
④ 6600-095A	Memory Lock for Tube dia. 25.4mm (1")



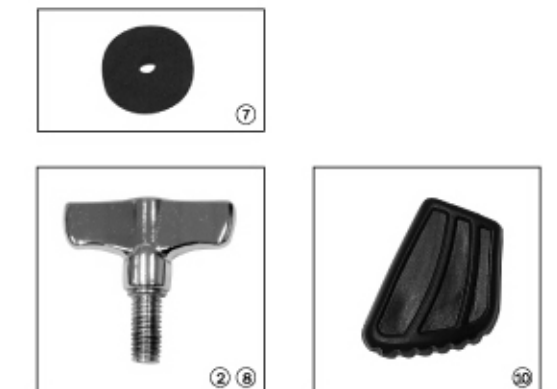
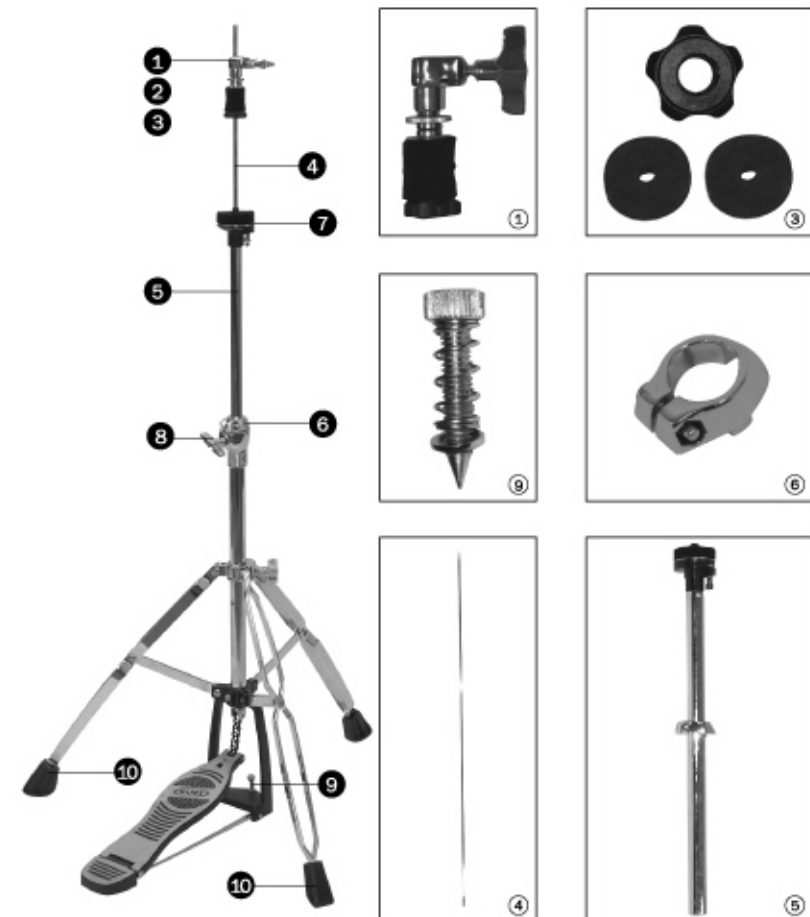
◀ S320A ▶

Item number	Description
① 1114-105	Rubber Sleeve (1pc)
② AZ0800170A	Wing Screw
③ 3480-095A	Memory Lock for Tube dia. 19.1mm (0.8")
④ 3122-045	Rubber Foot (1pc)



◀ H320A ▶

Item number	Description
① 2670-346A	Clutch
② AZ0600200A	Wing Screw
③ 2004-355A	Felts (2pcs/pack)
2004-355	Felt (1pc)
2671-360	Plastic Knob
④ 2114-380	Pull Rod of Upper Tube
⑤ 2230-075X	Upper Tube
2114-320A	Cymbal Seat
⑥ 3480-095A	Memory Lock for Tube dia. 19.1mm (0.8")
⑦ 2121-330	Felt Cymbal Base
⑧ AZ0800170A	Wing Screw
⑨ 2402-205A	Anchor Screw Assy.
⑩ 3122-045	Rubber Foot (1pc)





◀ P320A ▶

Item number | Description

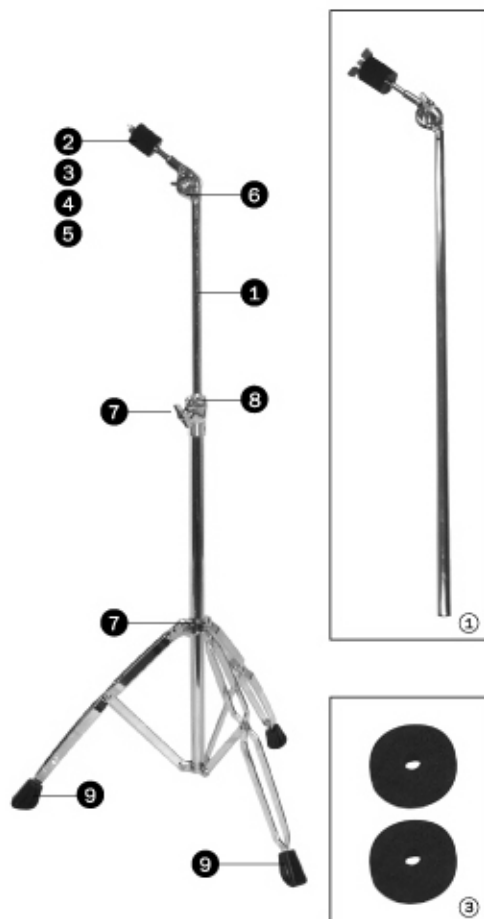
- ① 4130-525A Pedal Beater
- ② 4330-555A Connector Complete for Bearing
- ③ 4218-560A Spring Assy.
- ④ ST080020040 Wing Screw
- ⑤ 2402-205A Anchor Screw Assy.
- ⑥ 4230-245 Radius Rod Assy.



◀ C320A ▶

Item number | Description

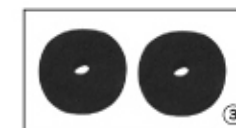
- ① 3255-484A Upper Tube
- ② 3623-430A Tilter
- ③ 3121-355X Cymbal Felts (2pcs/pack)
- 3121-355 Cymbal Felt (1pc)
- ④ 3621-325 Cymbal Washer
- ⑤ NZ080020038 Wing nut
- ⑥ 3224-3010A Wing Nut / Bolt Assembly
- ⑦ AZ0800170A Wing Screw
- ⑧ 3480-095A Memory Lock for Tube dia. 19.1mm (0.8")
- ⑨ 3122-045 Rubber Foot (1pc only)



◀ B320A ▶

Item number | Description

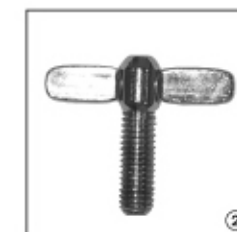
- ① 3623-484A Boom Arm
- ② 3623-430A Tilter
- ③ 3121-355X Cymbal Felts(2pcs/pack)
- 3121-355 Cymbal Felt (1pc)
- ④ 3621-325 Cymbal Washer
- ⑤ NZ080020038 Wing Nut
- ⑥ 3224-3010A Wing Nut / Bolt Assembly
- ⑦ AZ0800170A Wing Screw
- ⑧ 3480-095A Memory Lock for Tube dia. 19.1mm (0.8")
- ⑨ 3122-045 Rubber Foot (1pc)



◀ T250A ▶

Item number | Description

- ① 5121-590A Seat Assy.
- ② ST060012035 Wing Screw (for Seat Assy)
- ③ 5121-5010A Wing Screw
- ④ 3108-045 Rubber Foot (1pc)

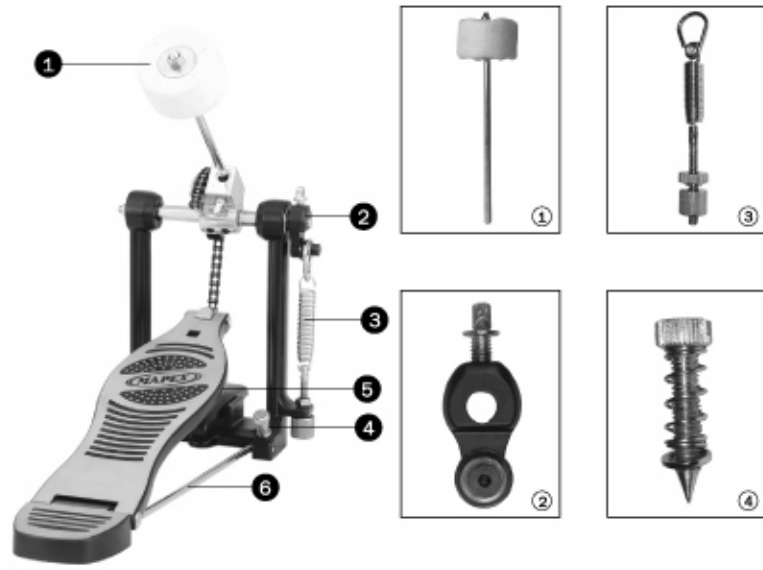




Item number	Description
① 0112-1800A-XX	18"BD Hoop, for QR Series
0112-2000A-XX	20"BD Hoop, for QR Series
0112-2200A-XX	22"BD Hoop, for QR Series
Replace xx with color code	
② 0246-418BB-MP	18"BD Head, Batter Side
0246-420BB-MP	20"BD Head, Batter Side
0246-422BB-MP	22"BD Head, Batter Side
0246-618CB-MP	18"BD Black Head, Logo Side
0246-620CB-MP	20"BD Black Head, Logo Side
0246-622CB-MP	22"BD Black Head, Logo Side
③ LUG-0743P	Lug Assy. Chrome Plated
④ 0704-891	BD Hook, Chrome Plated
⑤ SFM0551000H	Tension Rod, Chrome Plated (1pc)
⑥ 1900M12362A	Badge (w/Gasket and screws)
⑦ 7230J0001A	BD Spur
7201-675	Adjustment Knob
7201-685A	Rubber Foot for BD Spur (1pc)
⑧ 6300B	BD Mount Complete
AZ0800170A	Wing Screw(1pc)

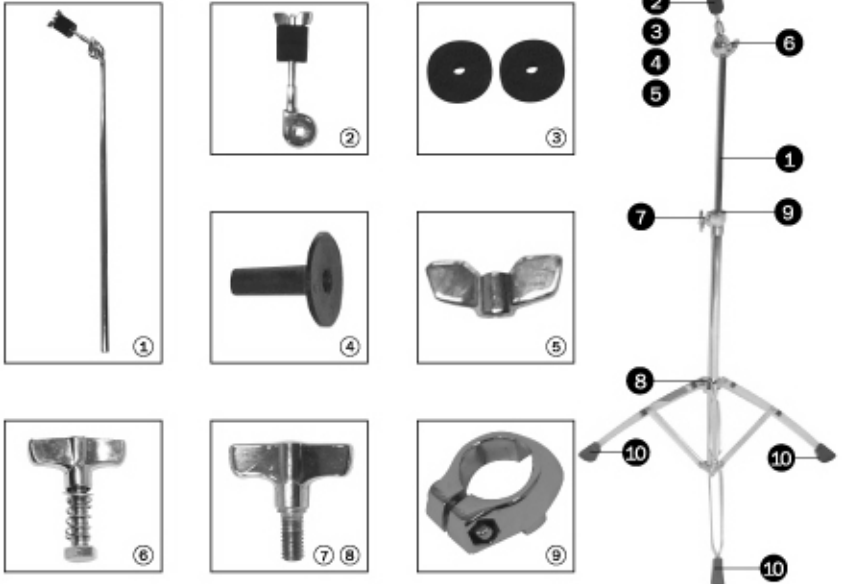


Item number	Description
① 0104-0804	8"TT Hoop, Chrome Plated, 4 Holes
0104-1006	10"TT Hoop, Chrome Plated, 6 Holes
0104-1206	12"TT Hoop, Chrome Plated, 6 Holes
0104-1306	13"TT Hoop, Chrome Plated, 6 Holes
0104-1406	14"TT / FT Hoop, Chrome Plated, 6 Holes
0104-1606	16"TT / FT Hoop, Chrome Plated, 6 Holes
0104-1806	18"TT / FT Hoop, Chrome Plated, 6 Holes
② 0246-308CT-MP	8"TT Head
0246-310CT-MP	10"TT Head
0246-312CT-MP	12"TT Head
0246-313CT-MP	13"TT Head
0246-314CT-MP	14"TT / FT Head
0246-316CT-MP	16"TT / FT Head
0246-318CT-MP	18"TT / FT Head
③ LUG-0741P	Lug Assy., Chrome Plated
LUG-0744P	Lug Assy., Chrome Plated (w/ITS)
④ SFM0550450H	Tension Rod, Chrome Plated (1pc)
⑤ 1900M12362A	Badge (w/Gasket and screws)
⑥ 34601880A	FT Leg (1pc)
34602685	Rubber Foot for FT Leg (1pc)
⑦ 6460M	TT Mount (w/ITS)
6460M2083A	8"TT Mount (w/ITS)
6460M2103A	10" TT Mount (w/ITS)
6460M2123A	12" TT Mount (w/ITS)
6460M2133A	13" TT Mount (w/ITS)
6460M2143A	14" TT Mount (w/ITS)
6460M2163A	16" TT Mount (w/ITS)
6200M	TT / FT Mount (w/o ITS)
NZ080024044	Wing Nut (1pc)



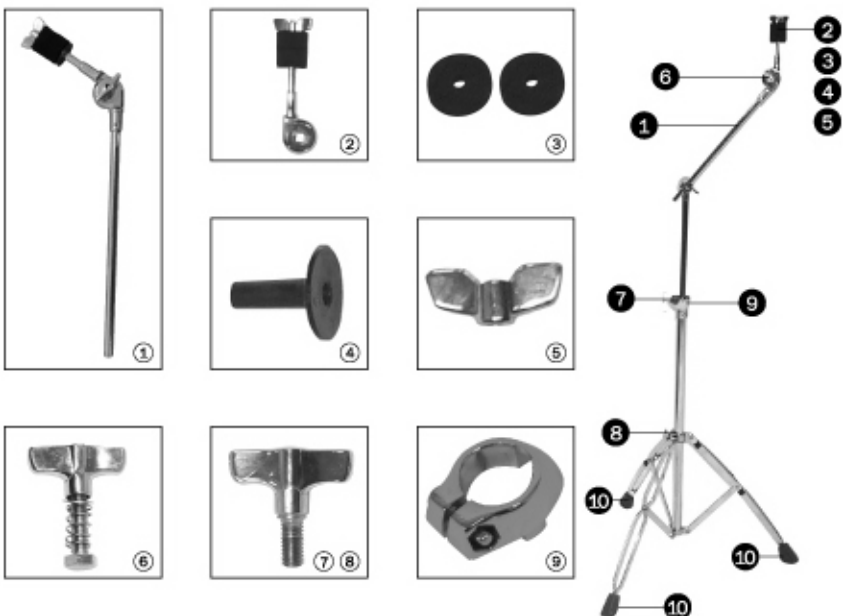
◀ P320A ▶

Item number	Description
① 4130-525A	Pedal Beater
② 4330-555A	Connector Complete for Bearing
③ 4218-560A	Spring Assy.
4450-567	Spring Hook
④ 2402-205A	Anchor Screw Assy.
⑤ ST080020040	Wing Screw
⑥ 4230-245	Radius Rod Assy.



◀ C300A ▶

Item number	Description
① 3245-484A	Upper Tube
② 3623-430A	Tilter
③ 3121-355X	Cymbal Felts (2pcs/pack)
3121-355	Cymbal Felt (1pc)
④ 3621-325	Cymbal Washer
⑤ NZ080020038	Wing Nut
⑥ 3224-3010A	Wing Nut / Bolt Assembly
⑦ AZ0800170A	Wing Screw
⑧ AZ0600150A	Wing Screw
⑨ 3730-095A	Memory Lock for Tube dia. 15.9mm (0.6")
⑩ 3122-045	Rubber Foot (1pc)



◀ B300A ▶

Item number	Description
① 3623-484A	Boom Arm
② 3623-430A	Tilter
③ 3121-355X	Felts (2pcs/pack)
3121-355	Felt (1pc)
④ 3621-325	Cymbal Washer
⑤ NZ080020038	Wing Nut
⑥ 3224-3010A	Wing Nut / Bolt Assembly
⑦ AZ0800170A	Wing Screw
⑧ AZ0600150A	Wing Screw
⑨ 3730-095A	Memory Lock for Tube dia. 15.9mm (0.6")
⑩ 3122-045	Rubber Foot (1pc)



Item number	Description
① 0112-1800A-XX	18"BD Metal Hoop with inlay, for Q Series
0112-2000A-XX	20"BD Metal Hoop with inlay, for Q Series
0112-2200A-XX	22"BD Metal Hoop with inlay, for Q Series
Replace xx with color code	
② 0246-418BB-MP	18"BD Head, Batter Side
0246-420BB-MP	20"BD Head, Batter Side
0246-422BB-MP	22"BD Head, Batter Side
0246-618CB-MP	18"BD Black Head, Logo Side
0246-620CB-MP	20"BD Black Head, Logo Side
0246-622CB-MP	22"BD Black Head, Logo Side
③ LUG-0703G	Lug Assy. Chrome Plated
④ 0704-891	BD Hook, Chrome Plated
⑤ SFM0551000H	Tension Rod, Chrome Plated (1pc)
⑥ 1900M12362A	Badge (w / Gasket and screws)
⑦ 7230J0001A	BD Spur
7201-675	Adjustment Knob
7201-685A	Rubber Foot for BD Spur (1pc)
⑧ 6300B	BD Mount Complete
AZ0800170A	Wing Screw(1pc)





Item number	Description
① 0104-0804	8" TT Hoop, Chrome Plated, 4 Holes
0104-1006	10" TT Hoop, Chrome Plated, 6 Holes
0104-1206	12" TT Hoop, Chrome Plated, 6 Holes
0104-1306	13" TT Hoop, Chrome Plated, 6 Holes
0104-1406	14" TT / FT Hoop, Chrome Plated, 6 Holes
0104-1606	16" TT / FT Hoop, Chrome Plated, 6 Holes
0104-1806	18" TT / FT Hoop, Chrome Plated, 6 Holes
② 0246-308CT-MP	8" TT Head ( Batter / Bottom)
0246-310CT-MP	10" TT Head ( Batter / Bottom)
0246-312CT-MP	12" TT Head ( Batter / Bottom)
0246-313CT-MP	13" TT Head ( Batter / Bottom)
0246-314CT-MP	14" TT / FT Head ( Batter / Bottom)
0246-316CT-MP	16" TT / FT Head ( Batter / Bottom)
0246-318CT-MP	18" TT / FT Head ( Batter / Bottom)
③ LUG-0701G	Lug Assy., Chrome Plated
④ SFM0550450H	Tension Rod, Chrome Plated (1pc)
⑤ 1900M12362A	Badge (w/ Gasket and screws)
⑥ 34601880A	FT Leg (1pc)
34602685	Rubber Foot for FT Leg (1pc)
⑦ 6200M	TT Mount
34505875A	FT Mount
NZ080024044	Wing Nut (1pc) for TT Mount
ST080020040	Wing Screw (1pc) for FT Mount

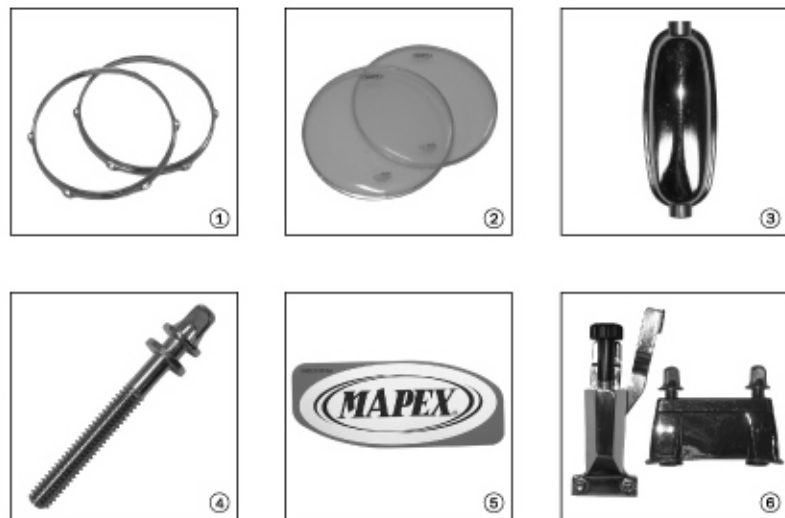


Item number	Description
① 0104-1408	14" SN Hoop, Batter Side, Chrome Plated, 8 Holes
0104-14081	14" SN Hoop, Snare Side, Chrome Plated, 8 Holes
② 0246-114CT-MP	14" SN Head, Batter Side
0246-314SS-MP	14" SN Head, Snare Side
③ LUG-0742P	Lug Assy. for Wood Shell (Type P)
LUG-0702P	Lug Assy. for Metal Shell
④ SFM0550450H	Tension Rod, Chrome Plated (1pc)
⑤ 1900M12362A	Badge (w/Gasket and Screw)
⑥ 0612-1720A	SN Throw-off, Release Side Assy. for Wood Shell, Chrome Plated
0612-1820A	SN Throw-off, Butt Side Assy. for Wood Shell, Chrome Plated
⑦ 18323850A	14" Snare Wire Assy., Chrome Plated

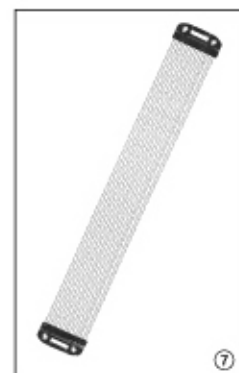
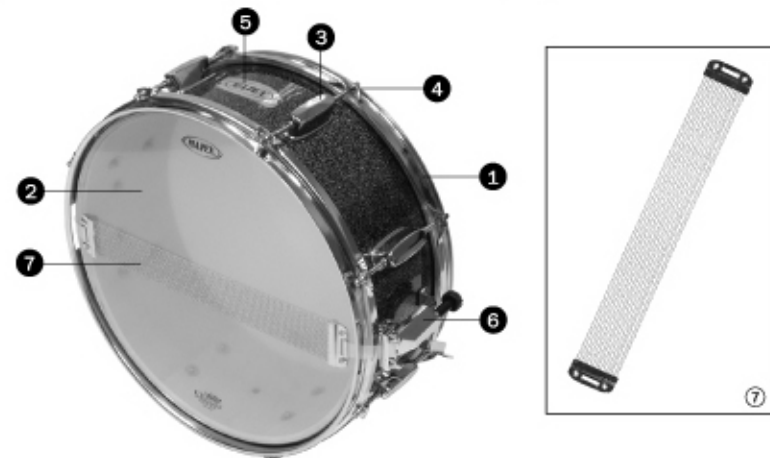


◀ TH630 ▶

Item number	Description
① 6801-024	Ball Rod
② 6600-095A	Memory Lock for Tube dia. 25.4mm ( 1")
③ 9550-9010A	Wing Nut / Ball Assembly



Item number	Description
① 0104-1408	14"SN Hoop, Batter Side, Chrome Plated, 8 Holes
0104-14081	14"SN Hoop, Snare Side, Chrome Plated, 8 Holes
② 0246-114CT-MP	14"SN Head, Batter Side
0246-314SS-MP	14"SN Head, Snare Side
③ LUG-0742P	Lug Assy. for Wood Shell (Type P)
④ SFM0550450H	Tension Rod, Chrome Plated (1pc)
⑤ 1900M12362A	Badge (w/Gasket and Screw)
⑥ 0612-1720A	SN Throw-off, Release Side Assy. for Wood Shell, Chrome Plated
0612-1820A	SN Throw-off, Butt Side Assy. for Wood Shell, Chrome Plated
⑦ 18323850A	14" Snare Wire Assy., Chrome Plated



◀TH630▶

Item number	Description
① 6801-024	Ball Rod
② 6600-095A	Memory Lock for Tube dia. 25.4mm ( 1")
③ 9550-9010A	Wing Nut / Bolt Assembly



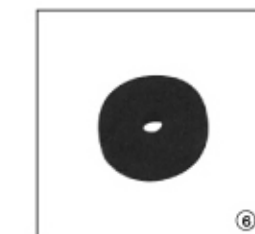
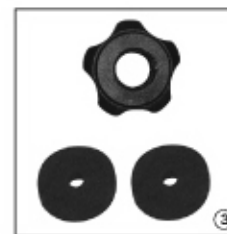
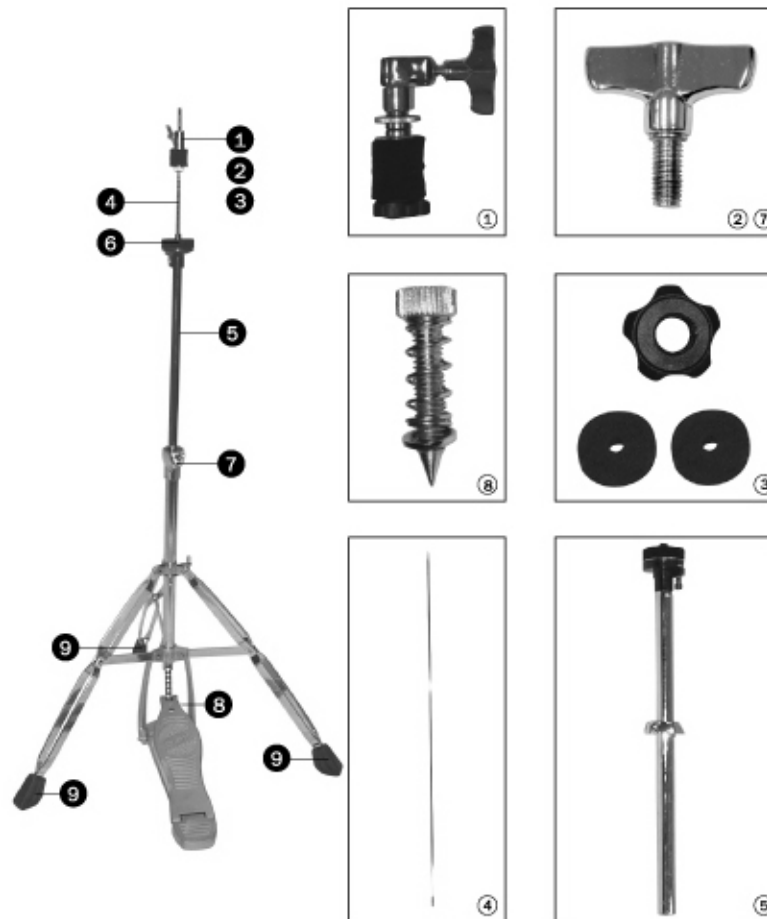
◀S300A▶

Item number	Description
① 1018-105	Rubber Sleeve(1pc)
② AZ0800170A	Wing Screw
③ AZ0600150A	Wing Screw
④ 3730-095A	Memory Lock for Tube dia. 15.9mm (0.6)
⑤ 3122-045	Rubber Foot (1pc)



◀H300A▶

Item number	Description
① 2670-346A	Clutch
② AZ0600150A	Wing Screw
③ 2004-355A	Felts (2pcs/pack)
2004-355	Felt (1pc)
2671-360	Plastic Knob
④ 2008-380	Pull Rod of Upper Tube
⑤ 2245-075X	Upper Tube
2121-320A	Cymbal Seat
⑥ 2121-330	Felt Cymbal Base
⑦ AZ0800170A	Wing Screw
⑧ 2402-205A	Anchor Screw Assy.
⑨ 3122-045	Rubber Foot (1pc)



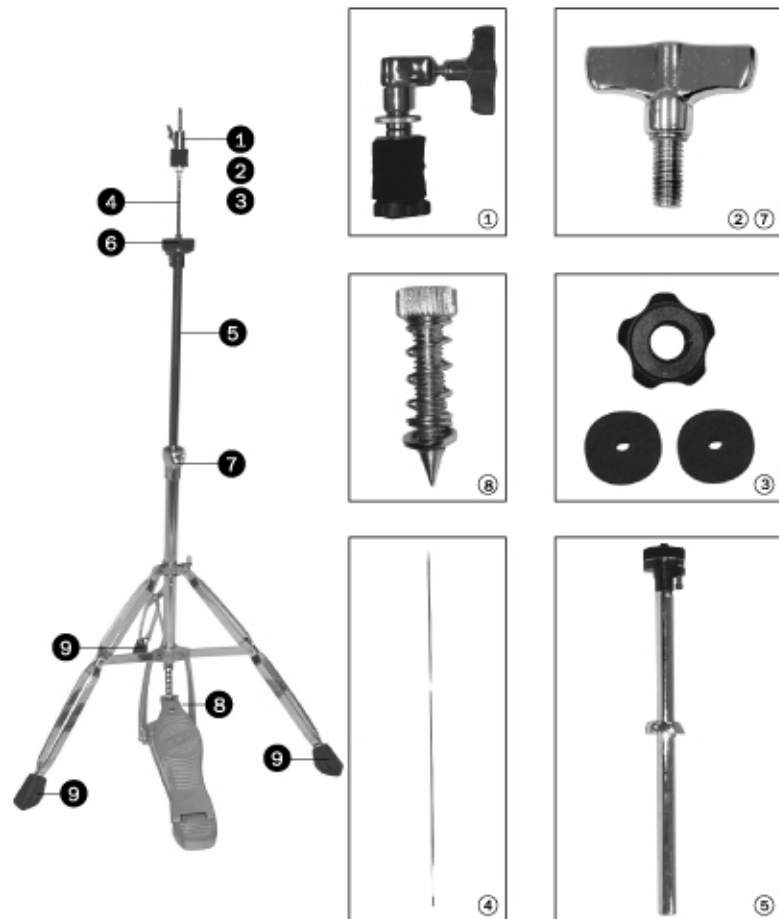
◀S300A▶

Item number	Description
① 1018-105	Rubber Sleeve(1pc)
② AZ0800170A	Wing Screw
③ AZ0600150A	Wing Screw
④ 3730-095A	Memory Lock for Tube dia. 15.9mm (0.6)
⑤ 3122-045	Rubber Foot (1pc)



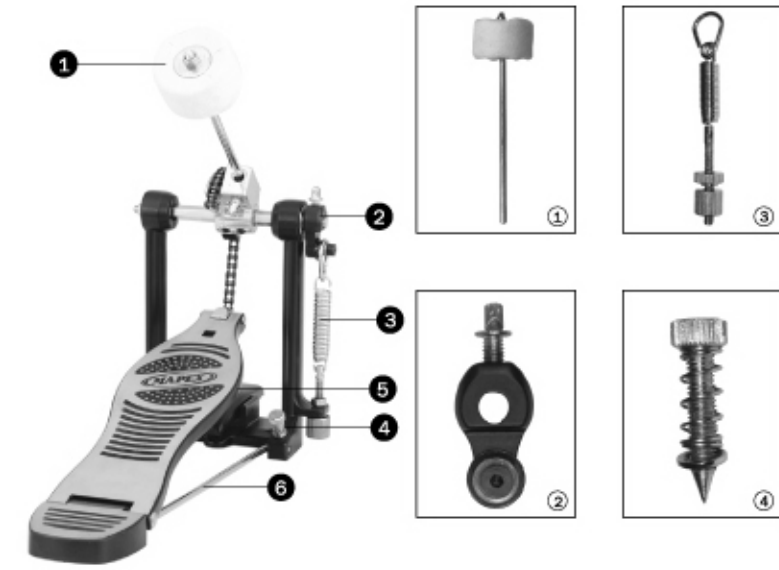
◀H300A▶

Item number	Description
① 2670-346A	Clutch
② AZ0600150A	Wing Screw
③ 2004-355A	Felts (2pcs/pack)
2004-355	Felt (1pc)
2671-360	Plastic Knob
④ 2008-380	Pull Rod of Upper Tube
⑤ 2245-075X	Upper Tube
2121-320A	Cymbal Seat
⑥ 2121-330	Felt Cymbal Base
⑦ AZ0800170A	Wing Screw
⑧ 2402-205A	Anchor Screw Assy.
⑨ 3122-045	Rubber Foot (1pc)



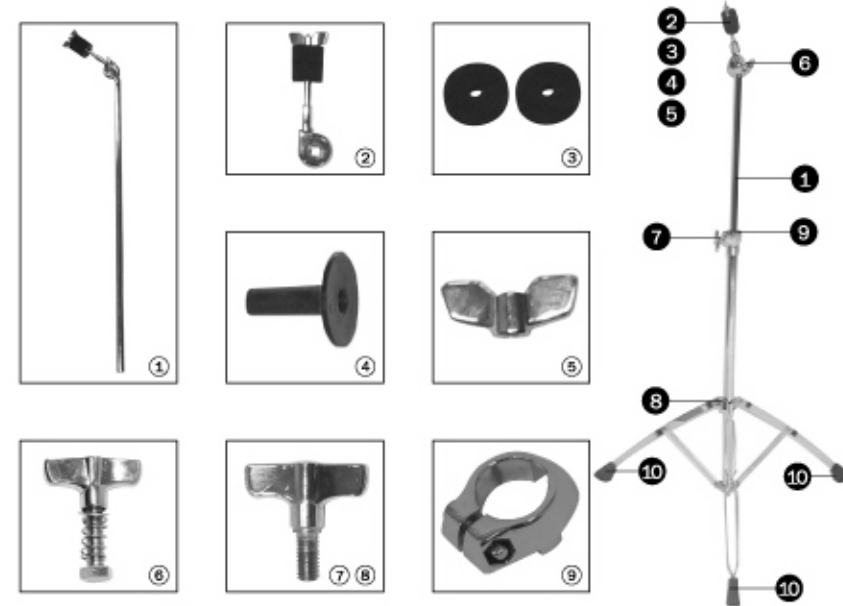
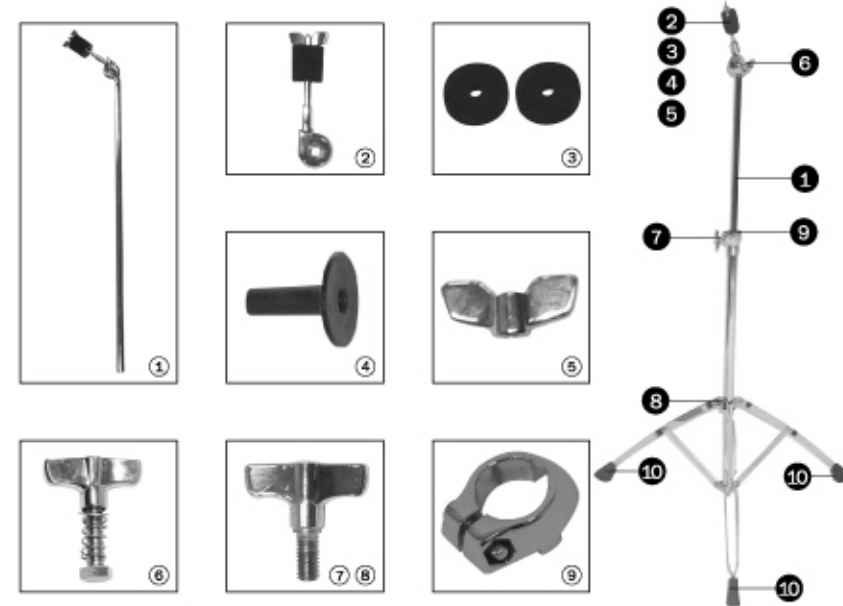
◀P320A▶

Item number	Description
① 4130-525A	Pedal Beater
② 4330-555A	Connector Complete for Bearing
③ 4218-560A	Spring Assy.
4450-567	Spring Hook
④ 2402-205A	Anchor Screw Assy.
⑤ ST080020040	Wing Screw
⑥ 4230-245	Radius Rod Assy.



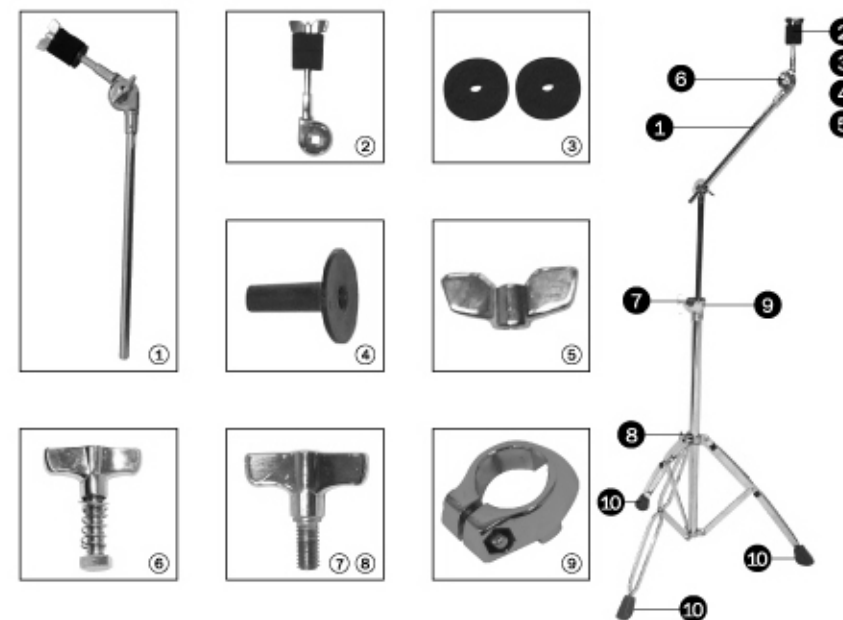
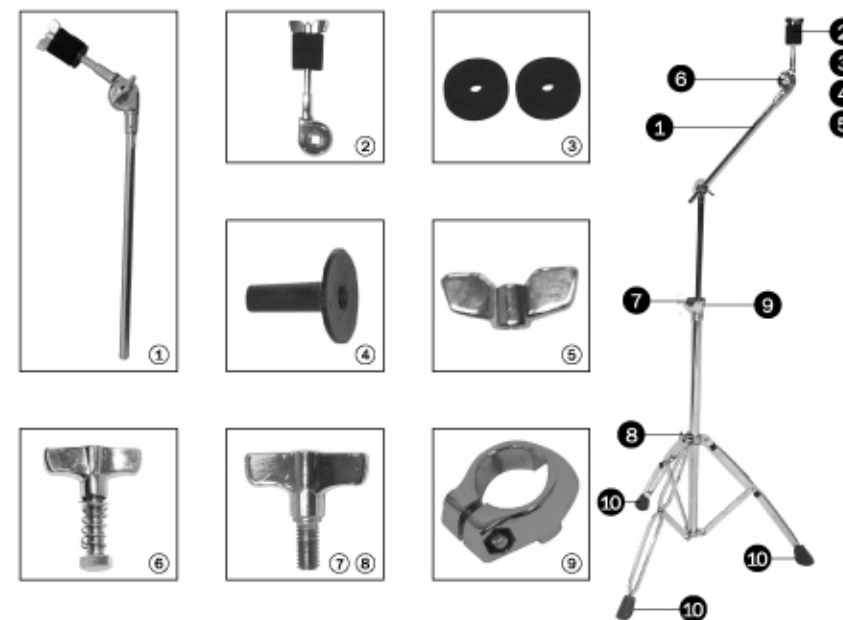
◀C300A▶

Item number	Description
① 3245-484A	Upper Tube
② 3623-430A	Tilter
③ 3121-355X	Cmbal Felts (2pcs/pack)
3121-355	Cymbal Felt (1pc)
④ 3621-325	Cymbal Washer
⑤ NZ080020038	Wing Nut
⑥ 3224-3010A	Wing Nut / Bolt Assembly
⑦ AZ0800170A	Wing Screw
⑧ AZ0600150A	Wing Screw
⑨ 3730-095A	Memory Lock for Tube dia. 15.9mm (0.6*)
⑩ 3122-045	Rubber Foot (1pc)



◀B300A▶

Item number	Description
① 3623-484A	Boom Arm
② 3623-430A	Tilter
③ 3121-355X	Felts (2pcs/pack)
3121-355	Felt (1pc)
④ 3621-325	Cymbal Washer
⑤ NZ080020038	Wing Nut
⑥ 3224-3010A	Wing Nut / Bolt Assembly
⑦ AZ0800170A	Wing Screw
⑧ AZ0600150A	Wing Screw
⑨ 3730-095A	Memory Lock for Tube dia. 15.9mm (0.6*)
⑩ 3122-045	Rubber Foot (1pc)





◀ S950A / S950 ▶

Item number | Description

- ① 1618-105 Rubber Sleeve(1 pc)
- ② AZ0800170A Wing Screw
- ③ 6600-095A Memory Lock for Tube dia. 25.4mm(1")
- ④ 1680-045 Rubber Foot(1 pc)



◀ S350A / S350 ▶

Item number | Description

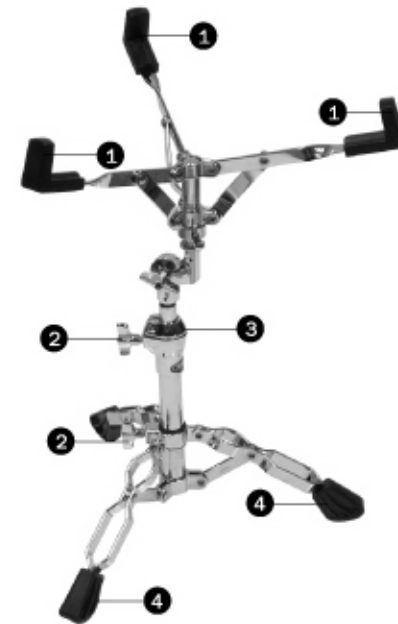
- ① 1114-105 Rubber Sleeve (1pc)
- ② AZ0800170A Wing Screw
- ③ 3480-095A Memory Lock for Tube dia 19.1mm (0.8") for S350A
- ④ 1123-045 Rubber Foot (1pc)



◀ S750A ▶

Item number | Description

- ① 1618-105 Rubber Sleeve (1pc)
- ② AZ0800170A Wing Screw
- ③ 3480-095A Memory Lock for Tube dia. 19.1mm (0.8")
- ④ 1224-045 Rubber Foot (1pc)



◀ S320A / S320 ▶

Item number | Description

- ① 1114-105 Rubber Sleeve(1pc)
- ② AZ0800170A Wing Screw
- ③ 3480-095A Memory Lock for Tube dia. 19.1mm (0.8") for S320A
- ④ 3122-045 Rubber Foot (1pc)



◀ S550A / S550 ▶

Item number | Description

- ① 1114-105 Rubber Sleeve (1pc)
- ② AZ0800170A Wing Screw
- ③ 3480-095A Memory Lock for Tube dia. 19.1mm (0.8")
- ④ 1224-045 Rubber Foot (1pc)

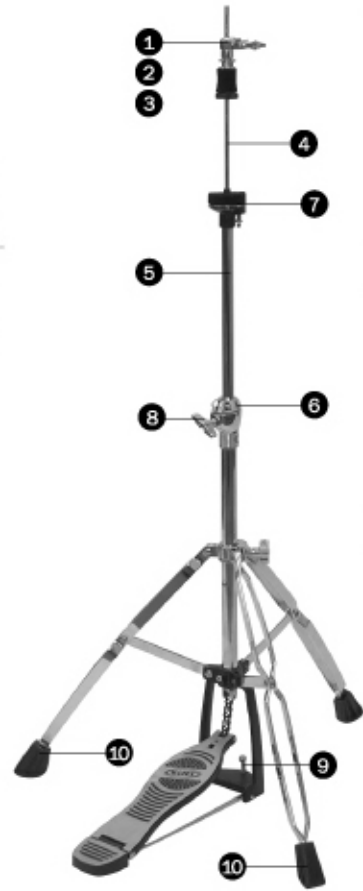


◀ S300A / S300 ▶

Item number | Description

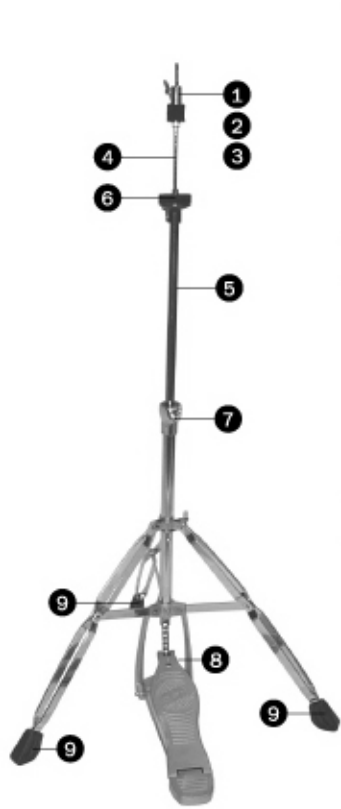
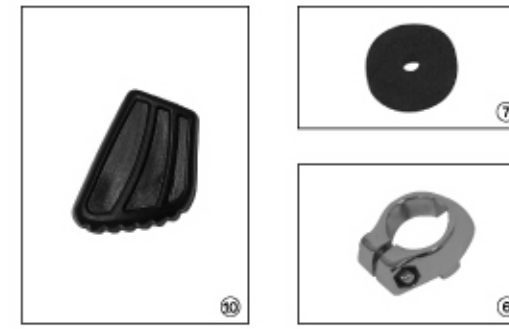
- ① 1018-105 Rubber Sleeve(1pc)
- ② AZ0800170A Wing Screw for S300A
- ③ AZ0600150A Wing Screw for S300A
- ④ 3730-095A Memory Lock for Tube dia. 15.9mm (0.6) for S300A
- ⑤ 3122-045 Rubber Foot (1pc)





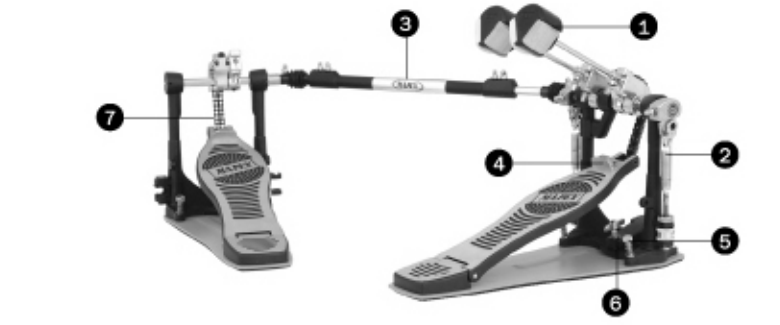
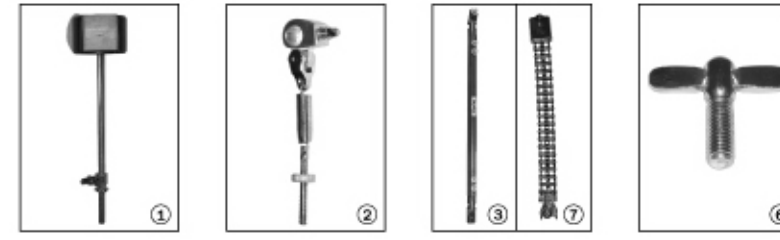
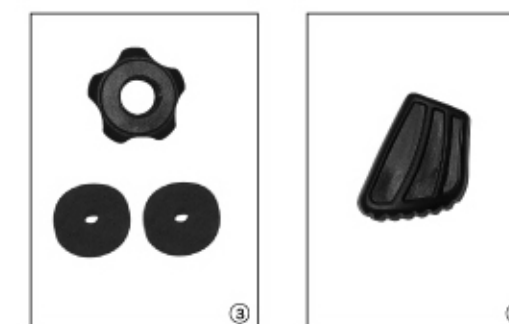
◀ H320A / H320 ▶

Item number	Description
① 2670-346A	Clutch
② AZ0600200A	Wing Screw
③ 2004-355A	Felts (2pcs/pack)
2004-355	Felt (1pc)
2671-360	Plastic Knob
④ 2114-380	Pull Rod of Upper Tube
⑤ 2230-075X	Upper Tube
2114-320A	Cymbal Seat
⑥ 3480-095A	Memory Lock for Tube dia. 19.1mm(0.8")
⑦ 2121-330	Felt Cymbal Base
⑧ AZ0800170A	Wing Screw
⑨ 2402-205A	Anchor Screw Assy.
⑩ 3122-045	Rubber Foot (1pc)



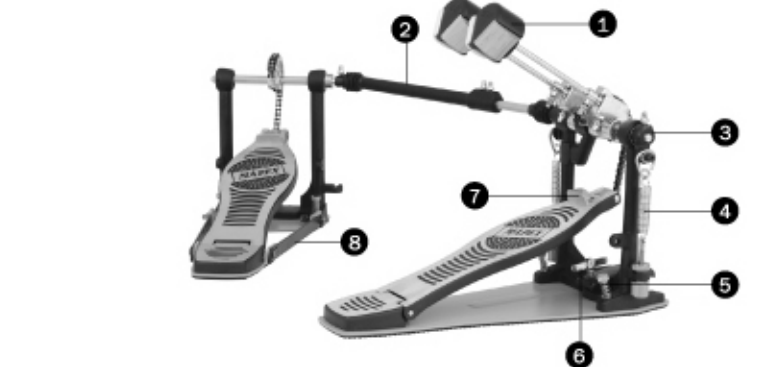
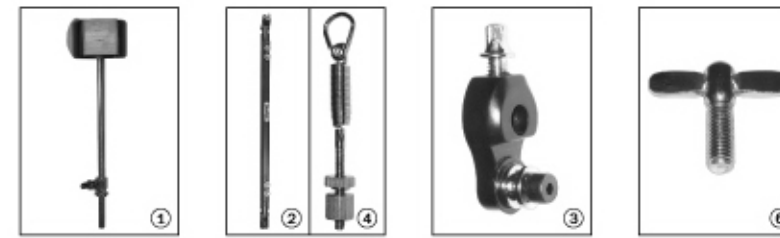
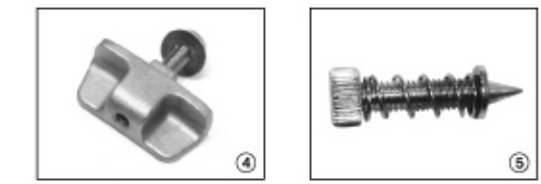
◀ H300A / H300 ▶

Item number	Description
① 2670-346A	Clutch for H300A
2008-346A	Clutch for H300
② AZ0600150A	Wing Screw for H300A
ST060012035	Wing Screw for H300
③ 2004-355A	Felts (2pcs/pack)
2004-355	Felt (1pc)
2671-360	Plastic Knob for H300A
2018-360	Knob for H300
④ 2008-380	Pull Rod of Upper Tube
⑤ 2245-075X	Upper Tube
2121-320A	Cymbal Seat
⑥ 2121-330	Felt Cymbal Base
⑦ AZ0800170A	Wing Screw for H300A
ST080020040	Wing Screw for H300
⑧ 2402-205A	Anchor Screw Assy.
⑨ 3122-045	Rubber Foot (1pc)
⑩ 3730-095A	Memory Lock 15.9mm(0.6") for H300A



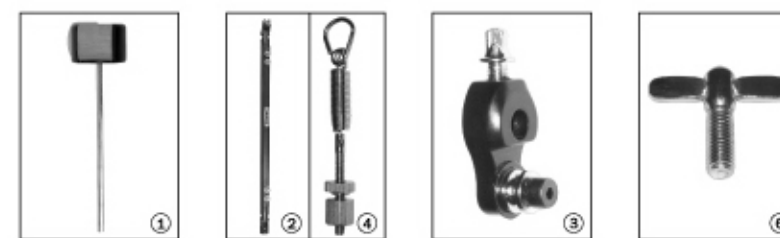
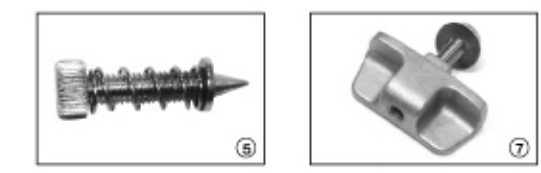
◀ P980A / P980 ▶

Item number	Description
① 4680-515A	Pedal Beater
② 4680-560A	Spring Assy.
4680-555A	Connector Assy. for Bearing
③ 4880-909A	Linkage Assy.
④ 2412-230A	Toe Stopper Assy.
⑤ 2402-205A	Anchor Screw Assy.
⑥ ST080020040	Wing Screw
⑦ 4A50-255X	Chain Assy. for P980A



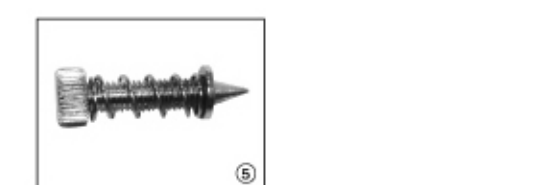
◀ P580A / P580 ▶

Item number	Description
① 4680-515A	Pedal Beater
② 4850-909A	Linkage Assy.
③ 4330-555A	Connector Assy. for Bearing
④ 4450-560A	Spring Assy. for P580
4680-560A	Spring Assy. for P580A
⑤ 2402-205A	Anchor Screw Assy.
⑥ ST080020040	Wing Screw
⑦ 2412-230A	Toe Stopper Assy.
⑧ 4851-245A	Rails Assy.

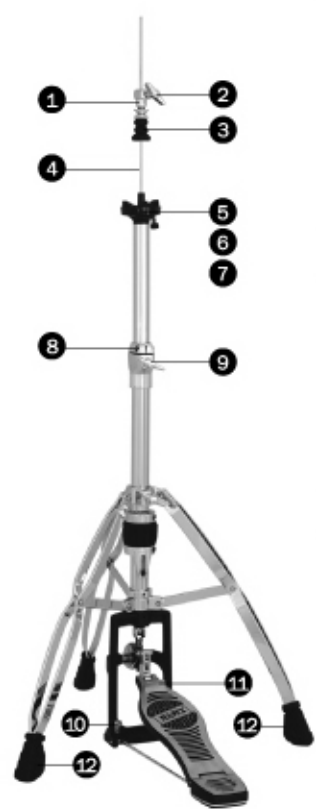


◀ P380A / P380 ▶

Item number	Description
① 4830-525A	Pedal Beater
② 4830-909A	Linkage Assy.
③ 4330-555A	Connector Complete for Bearing
④ 4450-560A	Spring Assy.
⑤ 2402-205A	Anchor Screw Assy.
⑥ ST080020040	Wing Screw
⑦ 4851-245A	Rails Assy.
4830-245	Radius Rod Assy.

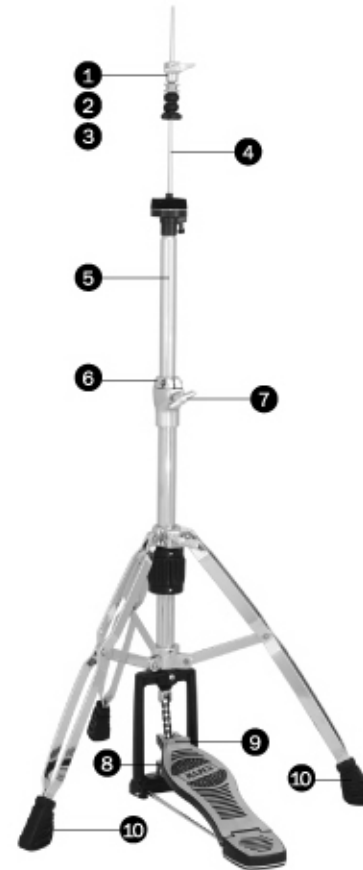
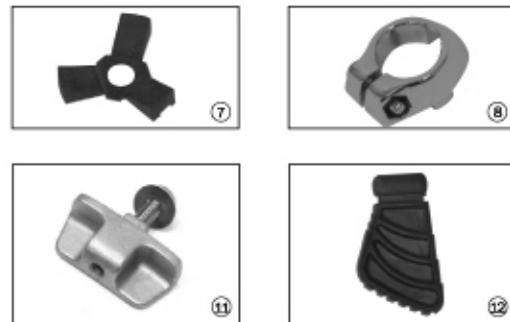






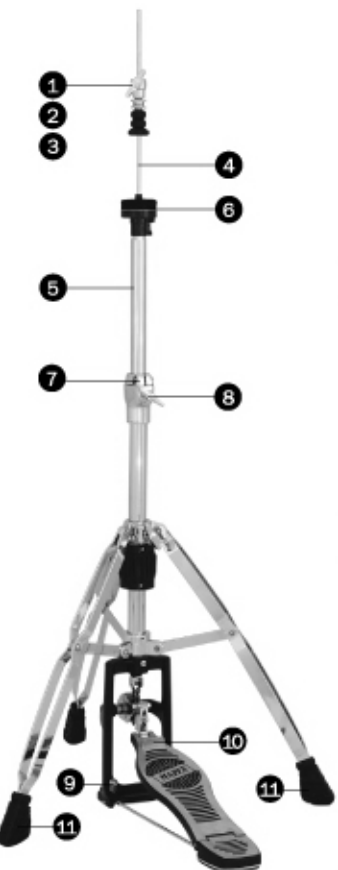
◀ H950A / H950 ▶

Item number	Description
① 2680-346A	Clutch Assy.
② AZ0600200A	Wing Screw
③ 2680-327A	O/S Cymbal Accentuator (2pcs/pack)
2680-327	O/S Cymbal Accentuator (1pc)
2671-360	Plastic Knob
④ 2114-380	Pull Rod of Upper Tube
⑤ 2680-075X	Upper Tube
⑥ 2680-320A	Cymbal Seat
⑦ 2680-326	Rubber Cymbal Base
⑧ 6600-095A	Memory Lock for Tube dia. 25.4mm(1")
⑨ AZ0800170A	Wing Screw
⑩ 2402-205A	Anchor Screw Assy.
⑪ 2412-230A	Toe Stopper Assy.
⑫ 1680-045	Rubber Foot (1pc) for H950A
2680-045	Rubber Foot for H950



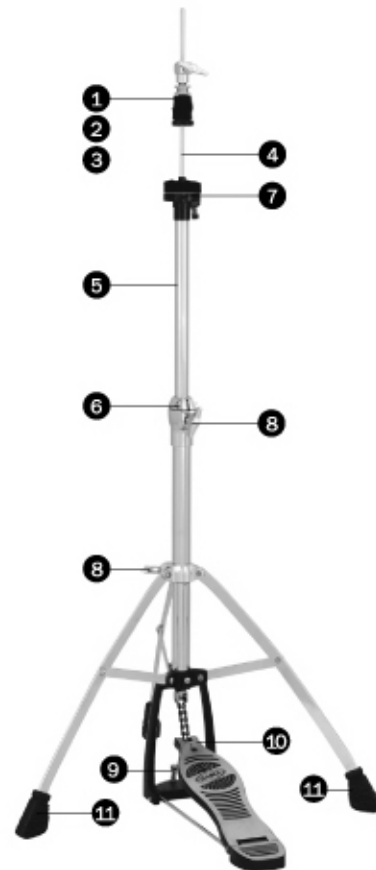
◀ H550A / H550 ▶

Item number	Description
① 2680-346A	Clutch
② AZ0600200A	Wing Screw
③ 2680-327A	O/S Cymbal Accentuator (2pcs / pack)
2680-327	O/S Cymbal Accentuator (1pc)
2671-360	Plastic Knob
④ 2114-380	Pull Rod of Upper Tube
⑤ 2565-075X	Upper Tube
2114-320A	Cymbal Seat
2121-330	Felt Cymbal Base
⑥ 6700-095A	Memory Lock for Tube dia. 22.2mm(0.9")
⑦ AZ0800170A	Wing Screw
⑧ 2402-205A	Anchor Screw Assy.
⑨ 2412-230A	Toe Stopper Assy.
⑩ 1224-045	Rubber Foot (1pc)



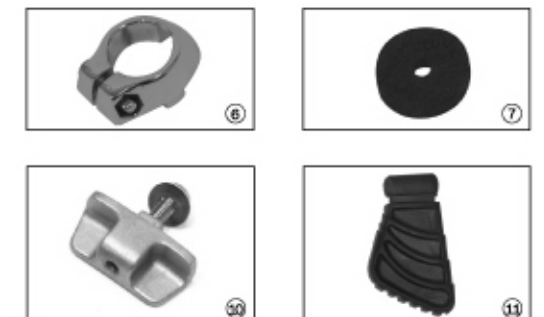
◀ H750A / H750 ▶

Item number	Description
① 2680-346A	Clutch
② AZ0600200A	Wing Screw
③ 2680-327A	O/S Cymbal Accentuator (2pcs/pack)
2680-327	O/S Cymbal Accentuator (1pc)
2671-360	Plastic Knob
④ 2114-380	Pull Rod of Upper Tube
⑤ 2565-075X	Upper Tube for H750A
2680-075X	Upper Tube for H750
2114-320A	Cymbal Seat for H750A
2680-320A	Cymbal Seat for H750
⑥ 2680-326	Rubber Cymbal Base for H750
2121-330	Felt Cymbal Base for H750A
⑦ 6700-095A	Memory Lock for Tube dia. 22.2mm(0.9")
⑧ AZ0800170A	Wing Screw
⑨ 2402-205A	Anchor Screw Assy.
⑩ 2412-230A	Toe Stopper Assy.
⑪ 1224-045	Rubber Foot (1pc) for H750A
2680-045	Rubber Foot(1pc) for H750



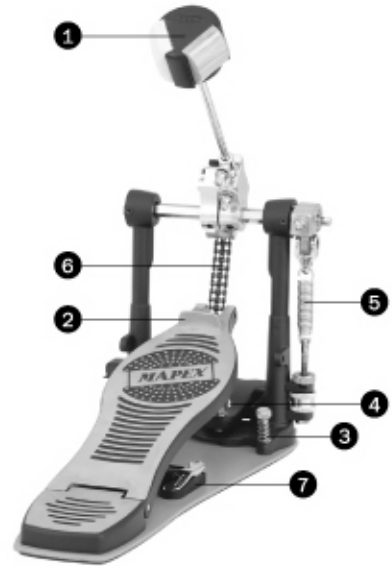
◀ H350A / H350 ▶

Item number	Description
① 2680-346A	Clutch
② AZ0600200A	Wing Screw
③ 2680-327A	O/S Cymbal Accentuator (2pcs / pack)
2680-327	O/S Cymbal Accentuator (1pc)
2671-360	Plastic Knob
④ 2114-380	Pull Rod of Upper Tube
⑤ 2335-075X	Upper Tube
2114-320A	Cymbal Seat
⑥ 3480-095A	Memory Lock for Tube dia. 19.1mm(0.8")
⑦ 2121-330	Felt Cymbal Base
⑧ AZ0800170A	Wing Screw
⑨ 2402-205A	Anchor Screw Assy.
⑩ 2412-230A	Toe Stopper Assy.
⑪ 1123-045	Rubber Foot (1pc)



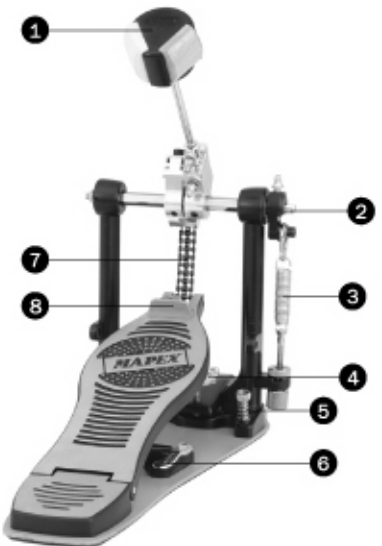
◀ P950A / P950 ▶

Item number	Description
① 4680-515A	Pedal Beater
② 2412-230A	Toe Stopper Assy.
③ 2402-205A	Anchor Screw Assy.
④ ST080020040	Wing Screw
⑤ 4680-560A	Spring Assy.
⑥ 4680-555A	Connector Assy. for Bearing
⑦ 4A50-255X	Chain Assy. for P950A
⑧ KZWA058	Drum Key



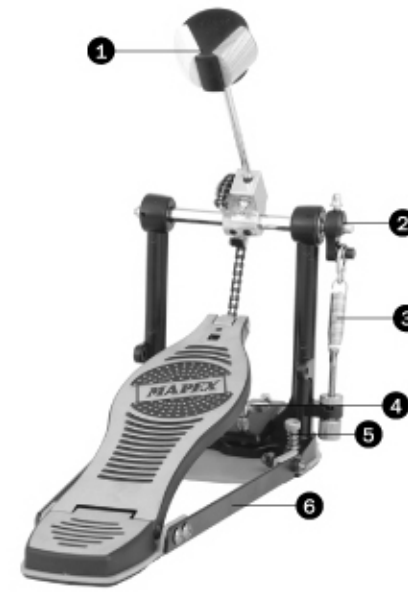
◀ P750A / P750 ▶

Item number	Description
① 4680-515A	Pedal Beater
② 4330-555A	Connector Complete for Bearing
③ 4450-560A	Spring Assy.
4450-567	Spring Hook
④ ST080020040	Wing Screw
⑤ 2402-205A	Anchor Screw Assy.
⑥ KZWA058	Drum Key
⑦ 4A50-255X	Chain Assy. for P750A
⑧ 2412-230A	Toe Stopper Assy.



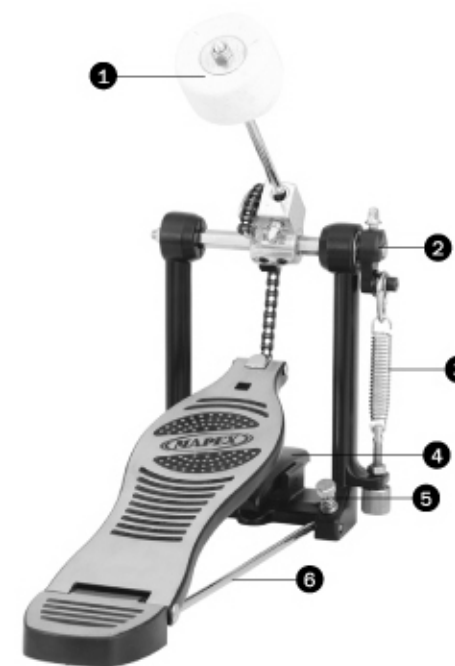
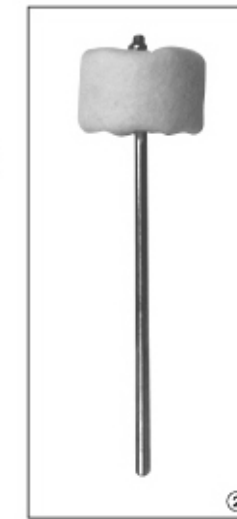
◀ P550A / P550 ▶

Item number	Description
① 4680-515X	Pedal Beater
② 4330-555A	Connector Complete for Bearing
③ 4450-560A	Spring Assy.
4450-567	Spring Hook
④ ST080020040	Wing Screw
⑤ 2402-205A	Anchor Screw Assy.
⑥ 4851-245A	Ralls Assy.



◀ P320A / P320 ▶

Item number	Description
① 4130-525A	Pedal Beater
② 4330-555A	Connector Complete for Bearing
③ 4218-560A	Spring Assy.
④ ST080020040	Wing Screw
⑤ 2402-205A	Anchor Screw Assy.
⑥ 4230-245	Radius Rod Assy.





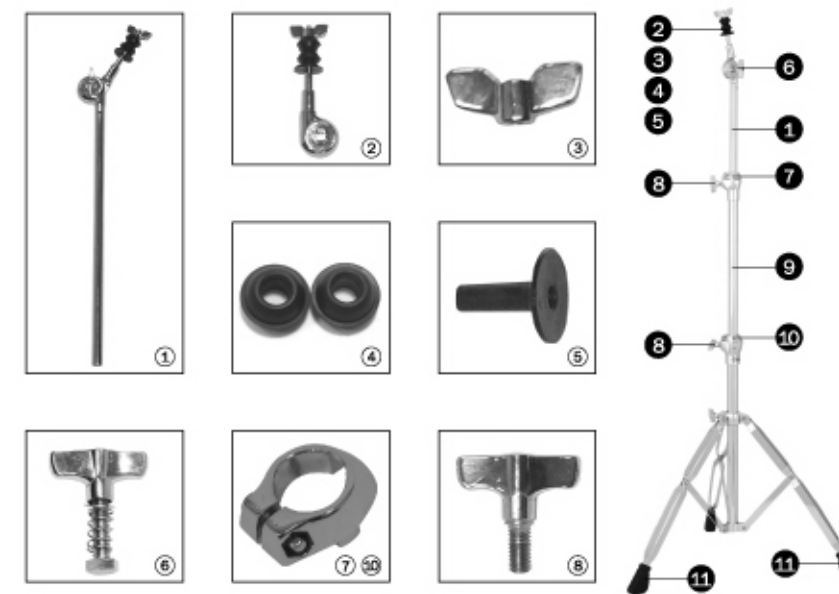
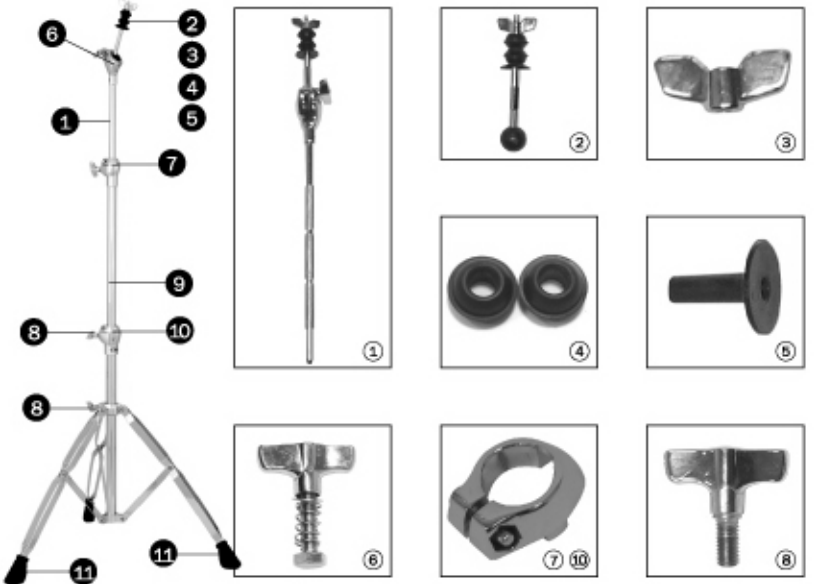
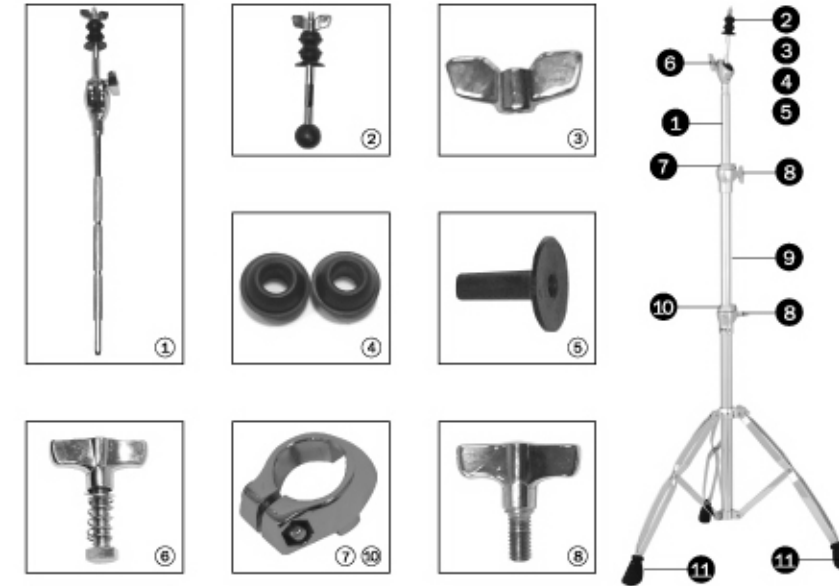
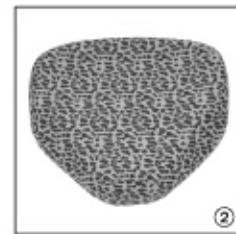
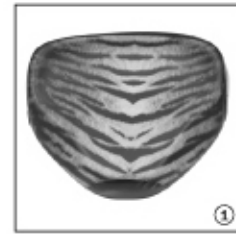
◀ T560GA / T560G ▶  
 ▶ T560GBA / T560GB ▶  
 ▶ T560LA / T560L ▶

Item number	Description
① 5563-590A	Seat Assy. for T560GA
② 5568-590A	Seat Assy. for T560GBA
5565-590A	Seat Assy. for T560LA
③ AZ0800230A	Wing Screw
④ AZ0800170A	Wing Screw
⑤ 6700-095A	Memory Lock for Tube dia. 22.2mm (0.9")
⑥ 5620-045	Rubber Foot (1pc)



◀ T580GA / T580G ▶  
 ▶ T580GBA / T580GB ▶  
 ▶ T580LA / T580L ▶

Item number	Description
① 5583-590A	Seat Assy. for T580GA
5588-590A	Seat Assy. for T580GBA
② 5585-590A	Seat Assy. for T580LA
③ AZ0800230A	Wing Screw
④ AZ0800170A	Wing Screw
⑤ 6700-095A	Memory Lock for Tube dia. 22.2mm (0.9")
⑥ 5620-045	Rubber Foot (1pc)



◀ C950A / C950 ▶

Item number	Description
① 3485-484A	Upper Tube for C950A
3480-484A	Upper Tube for C950
② 3680-440A	Tilter Assy.
③ NZ080020038	Wing Nut
④ 3480-355A	O/S Cymbal Accentuator (2pcs/pack)
3480-355	O/S Cymbal Accentuator(1pc)
⑤ 3621-325	Cymbal Washer
⑥ 3480-3010A	Wing Nut / Bolt Assembly
⑦ 6700-095A	Memory Lock for Tube dia. 22.2mm (0.9")
⑧ AZ0800170A	Wing Screw
⑨ 2215-075	Center Tube
⑩ 6600-095A	Memory Lock for Tube dia. 25.4mm (1")
⑪ 1680-045	Rubber Foot (1pc)



◀ C750A ▶

Item number	Description
① 3475-484A	Upper Tube
② 3680-440A	Tilter Assy.
③ NZ080020038	Wing Nut
④ 3480-355A	O/S Cymbal Accentuator (2pcs/pack)
3480-355	O/S Cymbal Accentuator(1pc)
⑤ 3621-325	Cymbal Washer
⑥ 3480-3010A	Wing Nut / Bolt Assembly
⑦ 3730-095A	Memory Lock for Tube dia. 15.9mm (0.6")
⑧ AZ0800170A	Wing Screw
⑨ 3650-075	Center Tube
⑩ 6700-095A	Memory Lock for Tube 22.2mm (0.9")
⑪ 1224-045	Rubber Foot (1pc)



◀ C550A / C550 ▶

Item number	Description
① 3365-484A	Upper Tube for C550A
3224-484A	Upper Tube for C550
② 3402-430A	Tilter
③ NZ080020038	Wing Nut
④ 3480-355A	O/S Cymbal Accentuator (2pcs/pack)
3480-355	O/S Cymbal Accentuator(1pc)
⑤ 3621-325	Cymbal Washer
⑥ 3224-3010A	Wing Nut / Bolt Assembly
⑦ 3730-095A	Memory Lock for Tube dia. 15.9mm (0.6") for C550A
⑧ AZ0800170A	Wing Screw
⑨ 3650-075	Center Tube
⑩ 6700-095A	Memory Lock for Tube dia. 22.2mm (0.9")
⑪ 1224-045	Rubber Foot (1pc)





◀ T580A / T580 ▶

Item number	Description
① 5580-590A	Seat Assy.
② AZ0800230A	Wing Screw
③ AZ0800170A	Wing Screw
④ 6700-095A	Memory Lock for Tube dia. 22.2mm (0.9")
⑤ 5620-045	Rubber Foot (1pc)



◀ T560A / T560 ▶

Item number	Description
① 5560-590A	Seat Assy.
② AZ0800230A	Wing Screw
③ AZ0800170A	Wing Screw
④ 6700-095A	Memory Lock for Tube dia. 22.2mm (0.9")
⑤ 5620-045	Rubber Foot (1pc)



◀ T550A / T550 ▶

Item number	Description
① 5450-590A	Seat Assy.
② AZ0800230A	Wing Screw
③ AZ0800170A	Wing Screw
④ 6600-095A	Memory Lock for Tube dia. 25.4mm (1")
⑤ 1224-045	Rubber Foot (1pc)



◀ T350A / T350 ▶

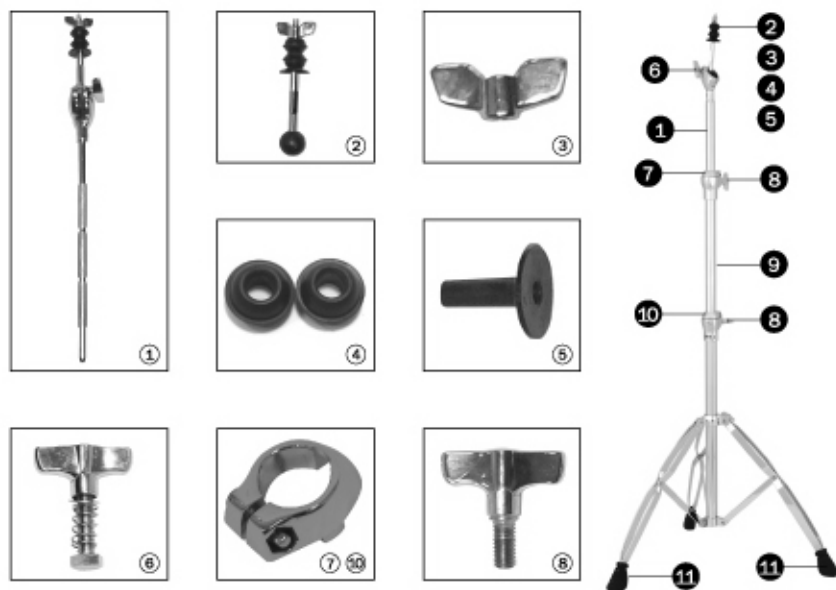
Item number	Description
① 5450-590A	Seat Assy.
② AZ0800230A	Wing Screw
③ 6600-095A	Memory Lock for Tube dia 25.4mm(1")
④ AZ0800170A	Wing Screw
⑤ 1123-045	Rubber Foot (1pc)



◀ T250A / T250 ▶

Item number	Description
① 5121-590A	Seat Assy.
② ST060012035	Wing Screw (for Seat Assy.)
③ 5121-5010A	Wing Screw
④ 3108-045	Rubber Foot (1pc)





### ◀ C950A / C950 ▶

Item number | Description

- ① 3485-484A Upper Tube for C950A
- 3480-484A Upper Tube for C950
- ② 3680-440A Tilter Assy.
- ③ NZ080020038 Wing Nut
- ④ 3480-355A O/S Cymbal Accentuator (2pcs/pack)
- 3480-355 O/S Cymbal Accentuator(1pc)
- ⑤ 3621-325 Cymbal Washer
- ⑥ 3480-3010A Wing Nut / Bolt Assembly
- ⑦ 6700-095A Memory Lock for Tube dia. 22.2mm (0.9")
- ⑧ AZ0800170A Wing Screw
- ⑨ 2215-075 Center Tube
- ⑩ 6600-095A Memory Lock for Tube dia. 25mm (1")
- ⑪ 1680-045 Rubber Foot (1pc)



### ◀ C750A ▶

Item number | Description

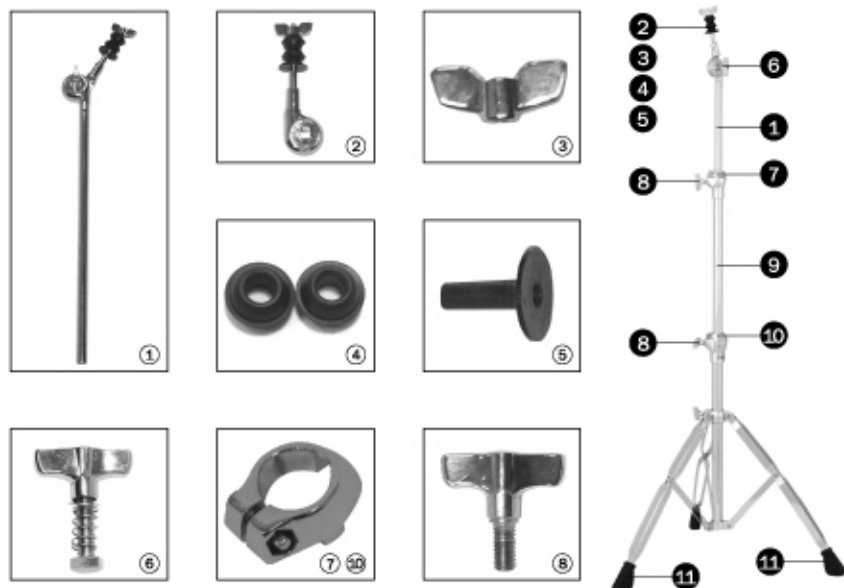
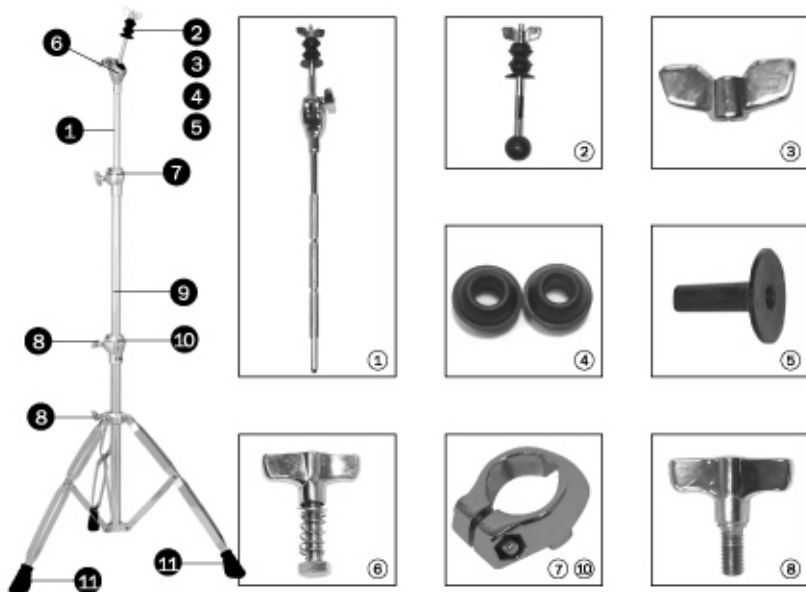
- ① 3475-484A Upper Tube
- ② 3680-440A Tilter Assy.
- ③ NZ080020038 Wing Nut
- ④ 3480-355A O/S Cymbal Accentuator (2pcs/pack)
- 3480-355 O/S Cymbal Accentuator(1pc)
- ⑤ 3621-325 Cymbal Washer
- ⑥ 3480-3010A Win Nut/Bolt Assembly
- ⑦ 3730-095A Memory Lock for Tube dia. 15.9mm (0.6")
- ⑧ AZ0800170A Wing Screw
- ⑨ 3650-075 Center Tube
- ⑩ 6700-095A Memory Lock for Tube 22.2mm (0.9")
- ⑪ 1224-045 Rubber Foot (1pc)

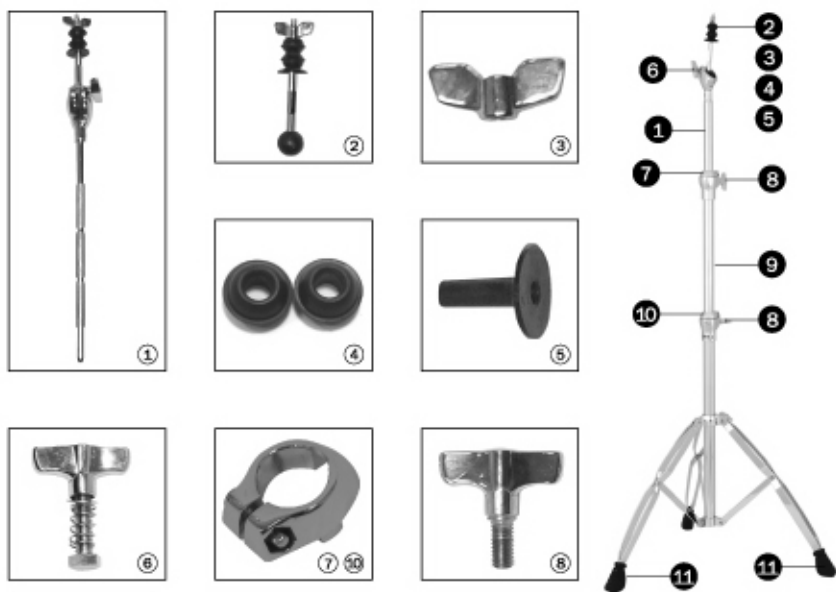


### ◀ C550A / C550 ▶

Item number | Description

- ① 3365-484A Upper Tube for C550A
- 3224-484A Upper Tube for C550
- ② 3402-430A Tilter
- ③ NZ080020038 Wing Nut
- ④ 3480-355A O/S Cymbal Accentuator (2pcs/pack)
- 3480-355 O/S Cymbal Accentuator(1pc)
- ⑤ 3621-325 Cymbal Washer
- ⑥ 3224-3010A Wing Nut / Bolt Assembly
- ⑦ 3730-095A Memory Lock for Tube dia. 15.9mm (0.6") for C550A
- ⑧ AZ0800170A Wing Screw
- ⑨ 3650-075 Center Tube
- ⑩ 6700-095A Memory Lock for Tube dia. 22.2mm (0.9")
- ⑪ 1224-045 Rubber Foot (1pc)

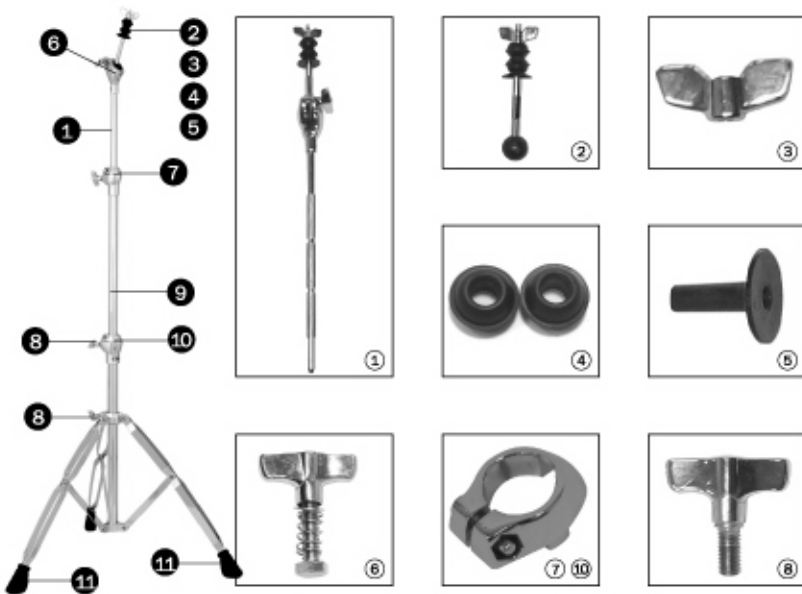




### ◀ C950A / C950 ▶

Item number	Description
-------------	-------------

- |   |             |   |
|---|-------------|---|
| ① | 3485-484A   | Upper Tube for C950A                    |
|   | 3480-484A   | Upper Tube for C950                     |
| ② | 3680-440A   | Tilter Assy.                            |
| ③ | NZ080020038 | Wing Nut                                |
| ④ | 3480-355A   | O/S Cymbal Accentuator (2pcs/pack)      |
|   | 3480-355    | O/S Cymbal Accentuator(1pc)             |
| ⑤ | 3621-325    | Cymbal Washer                           |
| ⑥ | 3480-3010A  | Wing Nut / Balt Assembly                |
| ⑦ | 6700-095A   | Memory Lock for Tube dia. 22.2mm (0.9") |
| ⑧ | AZ0800170A  | Wing Screw                              |
| ⑨ | 2215-075    | Center Tube                             |
| ⑩ | 6600-095A   | Memory Lock for Tube dia. 25*mm (1")    |
| ⑪ | 1680-045    | Rubber Foot (1pc)                       |



### ◀ C750A ▶

Item number	Description
-------------	-------------

- |   |             |   |
|---|-------------|---|
| ① | 3475-484A   | Upper Tube                              |
| ② | 3680-440A   | Tilter Assy.                            |
| ③ | NZ080020038 | Wing Nut                                |
| ④ | 3480-355A   | O/S Cymbal Accentuator (2pcs/pack)      |
|   | 3480-355    | O/S Cymbal Accentuator(1pc)             |
| ⑤ | 3621-325    | Cymbal Washer                           |
| ⑥ | 3480-3010A  | Wing Nut/Balt Assembly                  |
| ⑦ | 3730-095A   | Memory Lock for Tube dia. 15.9mm (0.6") |
| ⑧ | AZ0800170A  | Wing Screw                              |
| ⑨ | 3650-075    | Center Tube                             |
| ⑩ | 6700-095A   | Memory Lock for Tube 22.2mm (0.9")      |
| ⑪ | 1224-045    | Rubber Foot (1pc)                       |

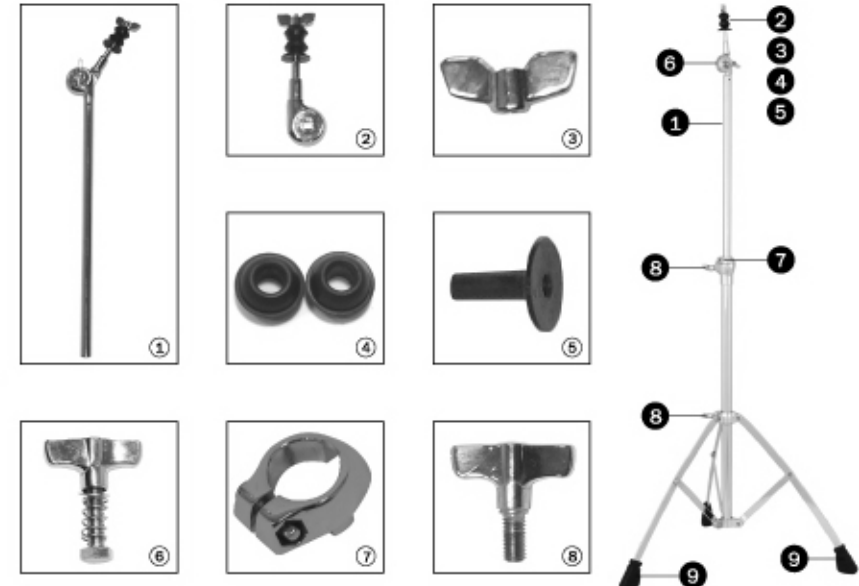


### ◀ C550A / C550 ▶

Item number	Description
-------------	-------------

- |   |             |   |
|---|-------------|---|
| ① | 3365-484A   | Upper Tube for C550A                              |
|   | 3224-484A   | Upper Tube for C550                               |
| ② | 3402-430A   | Tilter  |
| ③ | NZ080020038 | Wing Nut  |
| ④ | 3480-355A   | O/S Cymbal Accentuator (2pcs/pack)                |
|   | 3480-355    | O/S Cymbal Accentuator(1pc)                       |
| ⑤ | 3621-325    | Cymbal Washer                                     |
| ⑥ | 3224-3010A  | Wing Nut / Balt Assembly                          |
| ⑦ | 3730-095A   | Memory Lock for Tube dia. 15.9mm (0.6") for C550A |
| ⑧ | AZ0800170A  | Wing Screw  |
| ⑨ | 3650-075    | Center Tube                                       |
| ⑩ | 6700-095A   | Memory Lock for Tube dia. 22.2mm (0.9")           |
| ⑪ | 1224-045    | Rubber Foot (1pc)                                 |





◀C350A / C350▶

Item number	Description
① 3335-484A	Boom Arm for C350A
② 3224-484A	Boom Arm for C350
③ 3630-430A	Tilter Assy.
④ NZ080020038	Wing Nut
⑤ 3480-355A	O/S Cymbal Accentuator (2pcs/pack)
⑥ 3480-355	O/S Cymbal Accentuator(1pc)
⑦ 3621-325	Cymbal Washer
⑧ 3224-3010A	Wing Nut / Bolt Assembly
⑨ 3480-095A	Memory Lock for Tube dia. 19.1mm (0.8") for C350A
⑩ AZ0800170A	Wing Screw
⑪ 1123-045	Rubber Foot (1pc)



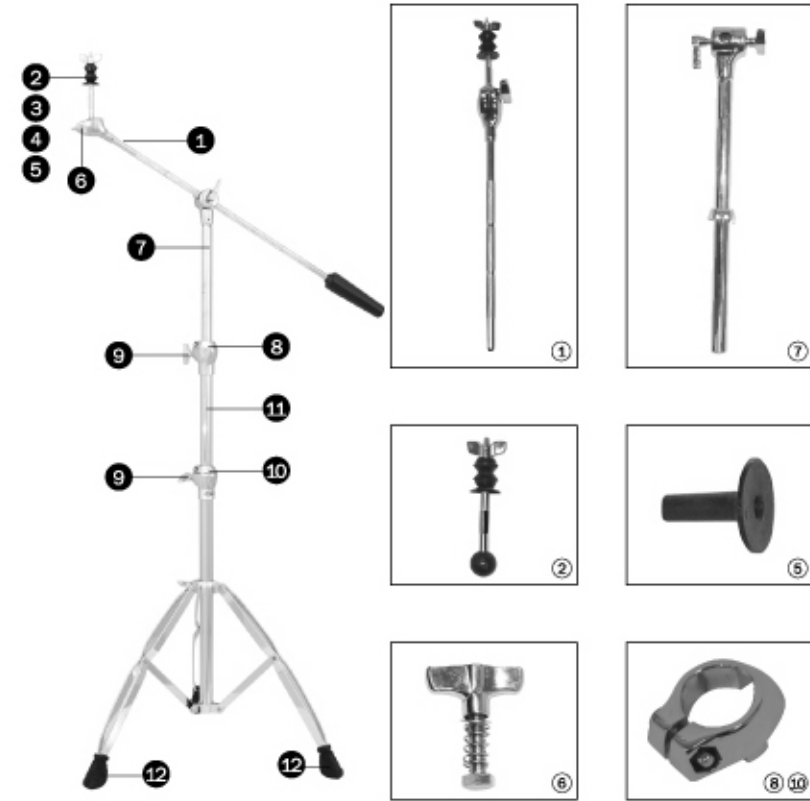
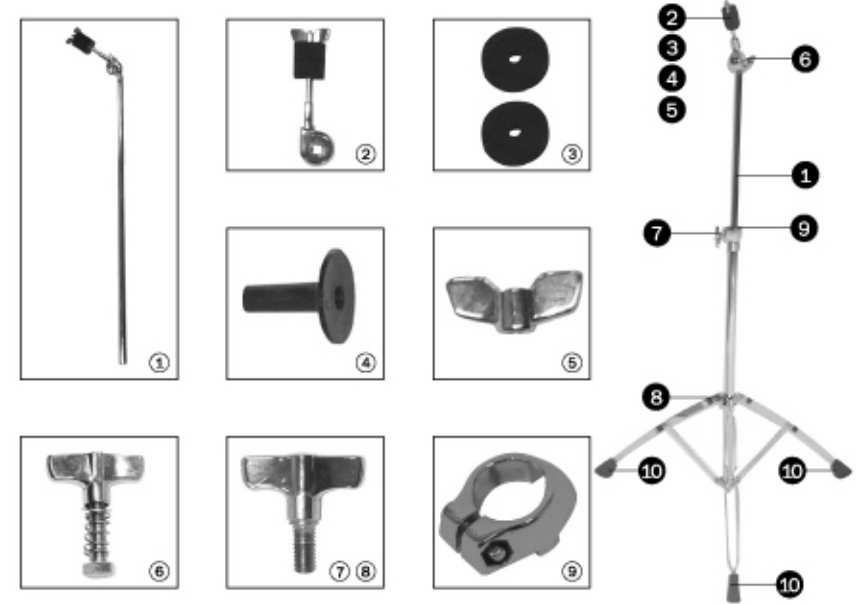
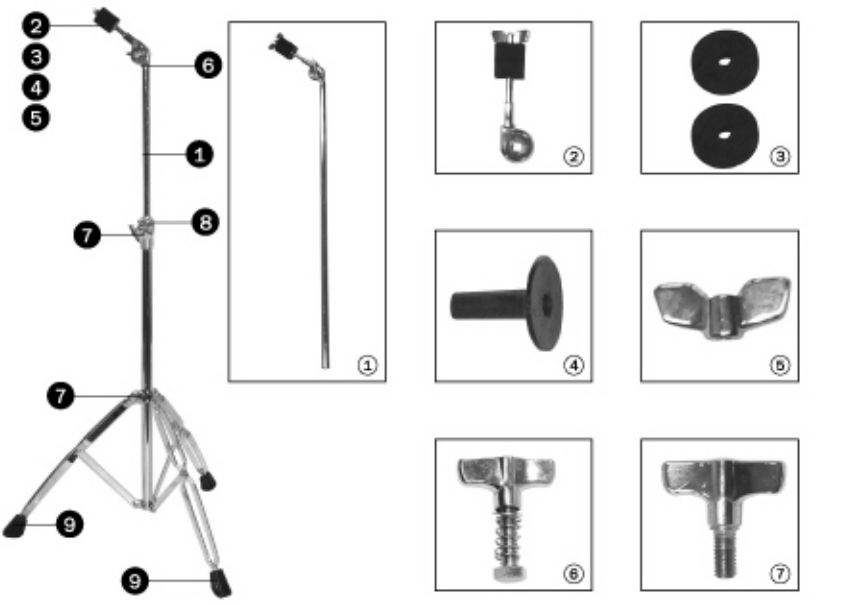
◀C320A / C320▶

Item number	Description
① 3255-484A	Upper Tube
② 3623-430A	Tilter
③ 3121-355X	Cmbal Felts (2pcs/pack)
④ 3121-355	Cymbal Felt (1pc)
⑤ 3621-325	Cymbal Washer
⑥ NZ080020038	Wing nut
⑦ 3224-3010A	Wing Nut / Bolt Assembly
⑧ AZ0800170A	Wing Screw
⑨ 3480-095A	Memory Lock for Tube dia. 19.1mm (0.8") for C320A
⑩ 3122-045	Rubber Foot (1pc only)



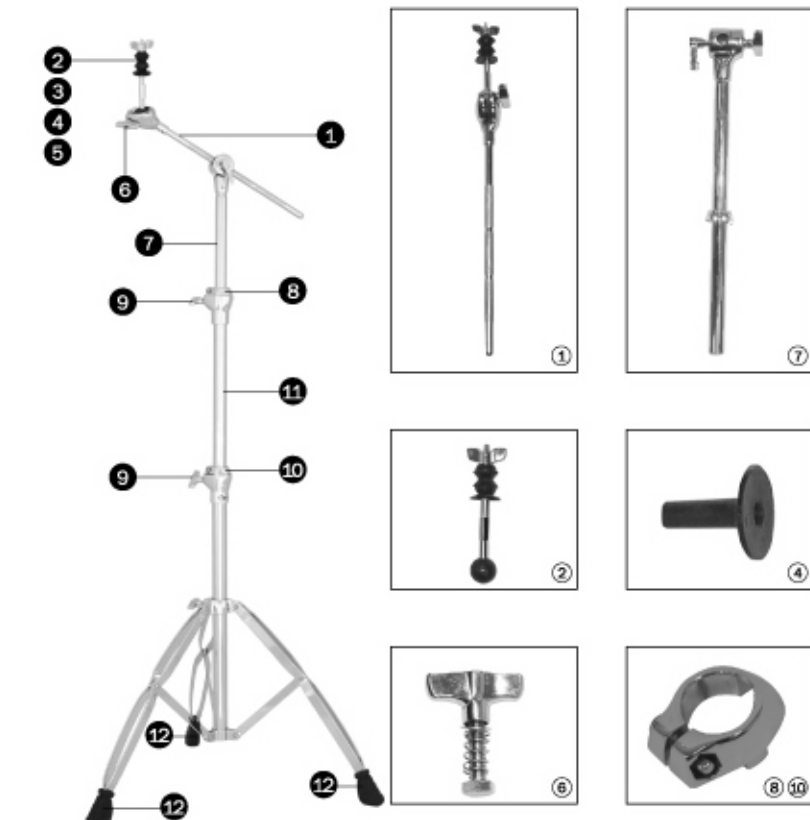
◀C300A / C300▶

Item number	Description
① 3245-484A	Upper Tube
② 3623-430A	Tilter
③ 3121-355X	Cmbal Felts (2pcs/pack)
④ 3121-355	Cymbal Felt (1pc)
⑤ 3621-325	Cymbal Washer
⑥ NZ080020038	Wing Nut
⑦ 3224-3010A	Wing Nut / Bolt Assembly
⑧ AZ0800170A	Wing Screw
⑨ AZ0600150A	Wing Screw
⑩ 3730-095A	Memory Lock for Tube dia. 15.9mm (0.6") for C300A
⑪ 3122-045	Rubber Foot (1pc )



◀B960A / B980▶

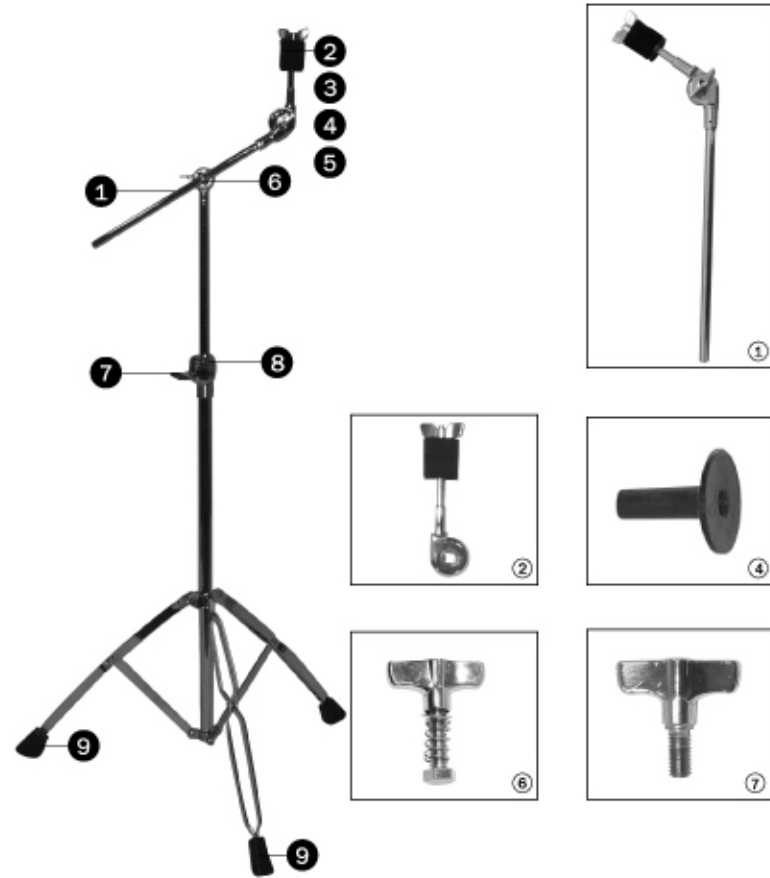
Item number	Description
① 3880-484A	Boom Arm
② 3680-440A	Tilter Assy.
③ NZ080020038	Wing Nut
④ 3480-355A	O/S Cymbal Accentuator (2 pcs/Pack)
⑤ 3480-355	O/S Cymbal Accentuator (1pc)
⑥ 3621-325	Cymbal Washer
⑦ 3480-3010A	Wing Nut / Bolt Assembly
⑧ 3680-425A	Upper Tube
⑨ 6700-095A	Memory Lockfor Tube dia 22.2mm(0.9")
⑩ AZ0800170A	Wing Screw
⑪ 6600-095A	Memory Lockfor Tube dia 25.4mm(1")
⑫ 2215-075	Center Tube
⑬ 1680-045	Rubber Foot (1pc)



◀B950A / B950▶

Item number	Description
① 3680-484A	Boom Arm
② 3680-440A	Tilter Assy.
③ 3480-355A	O/S Cymbal Accentuator (2pcs/Pack)
④ 3480-355	O/S Cymbal Accentuator (1pc)
⑤ 3621-325	Cymbal Washer
⑥ NZ080020038	Wing Nut
⑦ 3480-3010A	Wing Nut/Bolt Assembly
⑧ 3680-425A	Upper Tube
⑨ 6700-095A	Memory Lock for Tube dia 22.2mm(0.9")
⑩ AZ0800170A	Wing Screw
⑪ 6600-095A	Memory Lock for Tube dia 25.4mm(1")
⑫ 2215-075	Center Tube
⑬ 1680-045	Rubber Foot (1pc)

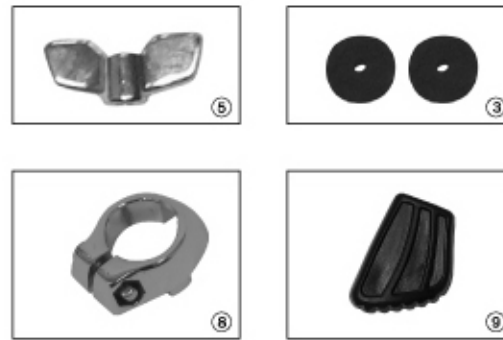




◀ B320A / B320 ▶

Item number | Description

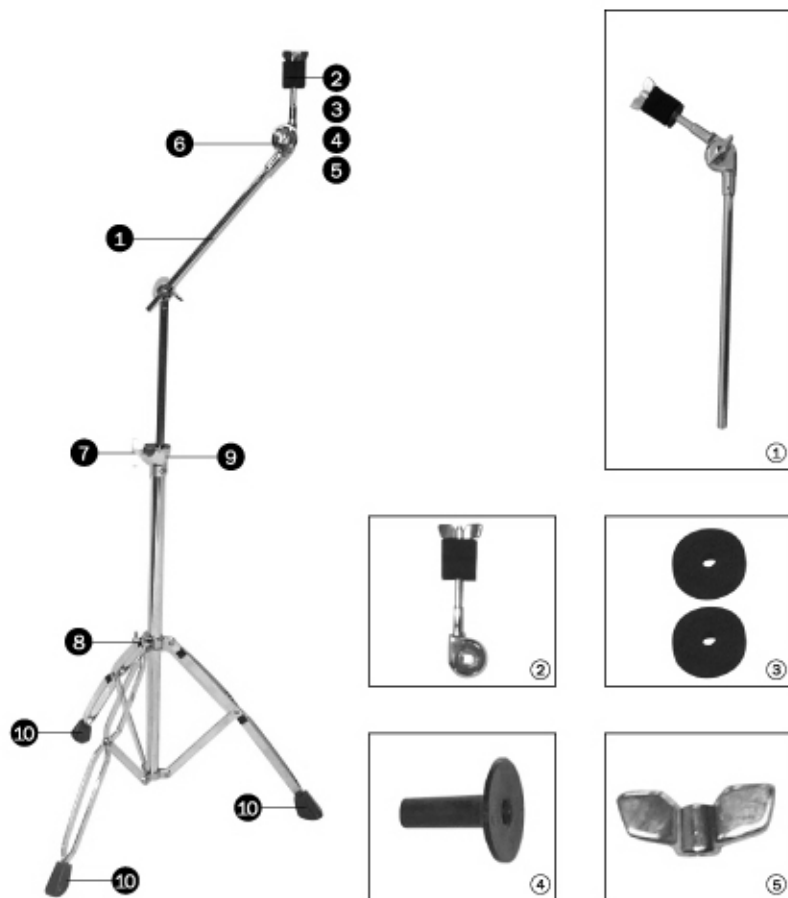
- ① 3623-484A Boom Arm
- ② 3623-430A Tilter
- ③ 3121-355X Cymbal Felts(2pcs/pack)  
3121-355 Cymbal Felt (1pc)
- ④ 3621-325 Cymbal Washer
- ⑤ NZ080020038 Wing Nut
- ⑥ 3224-3010A Wing Nut / Balt Assembly
- ⑦ AZ0800170A Wing Screw
- ⑧ 3480-095A Memory Lock for Tube dia. 19.1mm (0.8")
- ⑨ 3122-045 Rubber Foot (1pc)



◀ B300A / B300 ▶

Item number | Description

- ① 3623-484A Boom Arm
- ② 3623-430A Tilter
- ③ 3121-355X Felts (2pcs/pack)  
3121-355 Felt (1pc)
- ④ 3621-325 Cymbal Washer
- ⑤ NZ080020038 Wing Nut
- ⑥ 3224-3010A Wing Nut / Balt Assembly
- ⑦ AZ0800170A Wing Screw for B300A  
ST080020040 Wing Screw for B300
- ⑧ AZ0600150A Wing Screw for B300A  
ST060012035 Wing Screw for B300
- ⑨ 3730-095A Memory Lock for Tube dia. 15.9mm (0.6") for B300A
- ⑩ 3122-045 Rubber Foot (1pc)

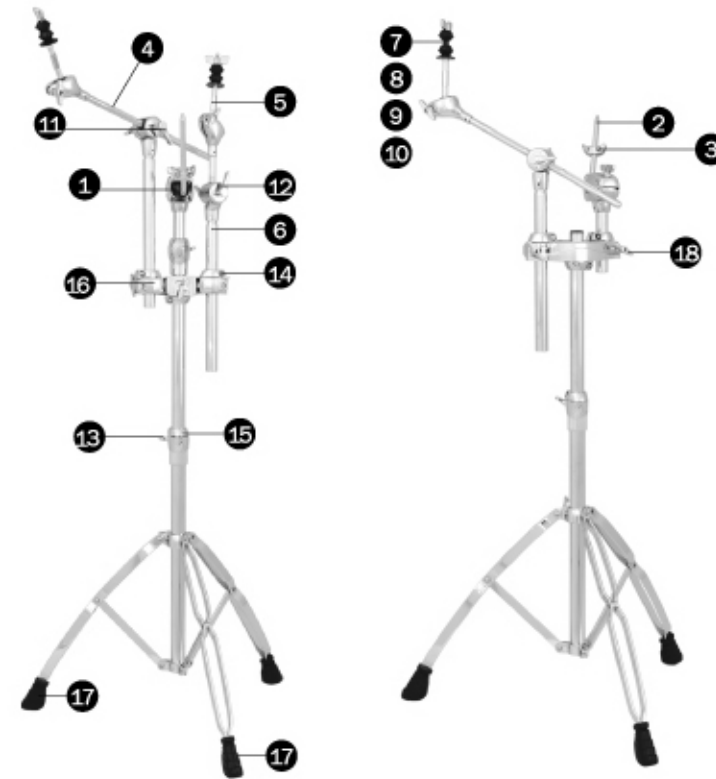


◀ TS965A / TS965 ▶

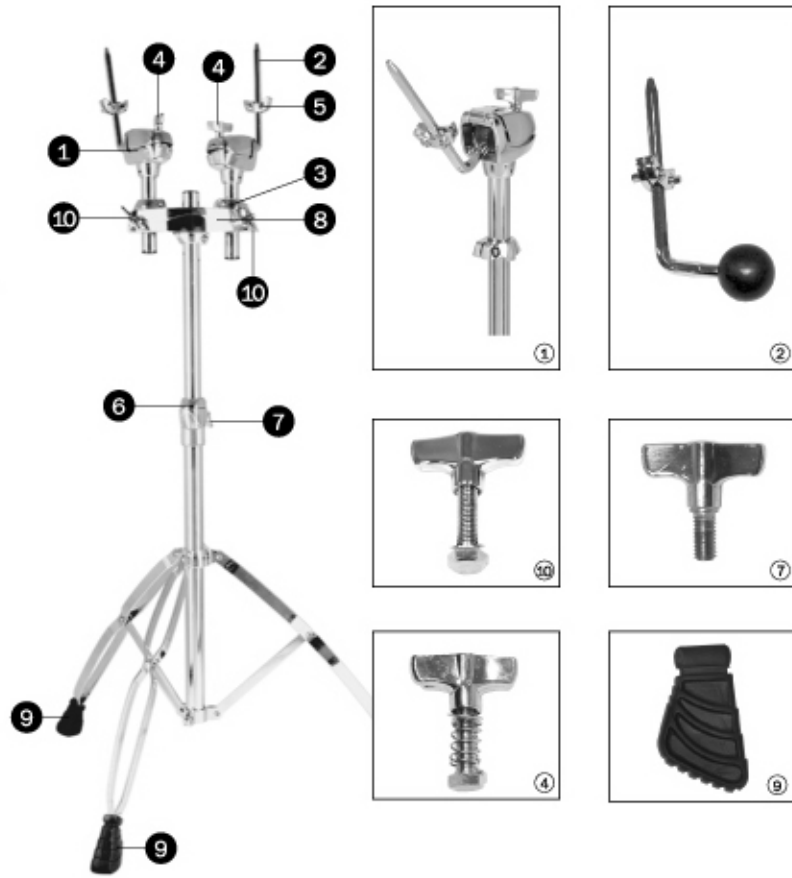
◀ TS960A / TS960 ▶

Item number | Description

- ① TH684 Tom Arm
- ② 6801-024A Ball Rod
- ③ 6750-645A Stop Lock
- ④ B75 Boom Cymbal Arm
- ⑤ 3680-484A Boom Arm
- ⑥ 3680-425A Upper Tube
- ⑦ 3680-440A Tilter Assy.
- ⑧ NZ080020038 Wing Nut
- ⑨ 3480-355A O/S Cymbal Accentuator (2pcs/pack)  
3480-355 O/S Cymbal Accentuator (1pc)
- ⑩ 3621-325 Cymbal Washer
- ⑪ 1224-938A Pro-Lok Lever
- ⑫ 3480-3010A Wing Nut / Balt Assy.
- ⑬ AZ0800170A Wing Screw
- ⑭ 6700-095A Memory Lock for Tube dia. 22.2mm (0.9")
- ⑮ 6600-095A Memory Lock for Tube dia. 25.4mm (1")
- ⑯ AC908 Multi-Use Mount Assy.
- ⑰ 1680-045 Rubber Foot (1pc)
- ⑱ 0908-6010A Wing Screw







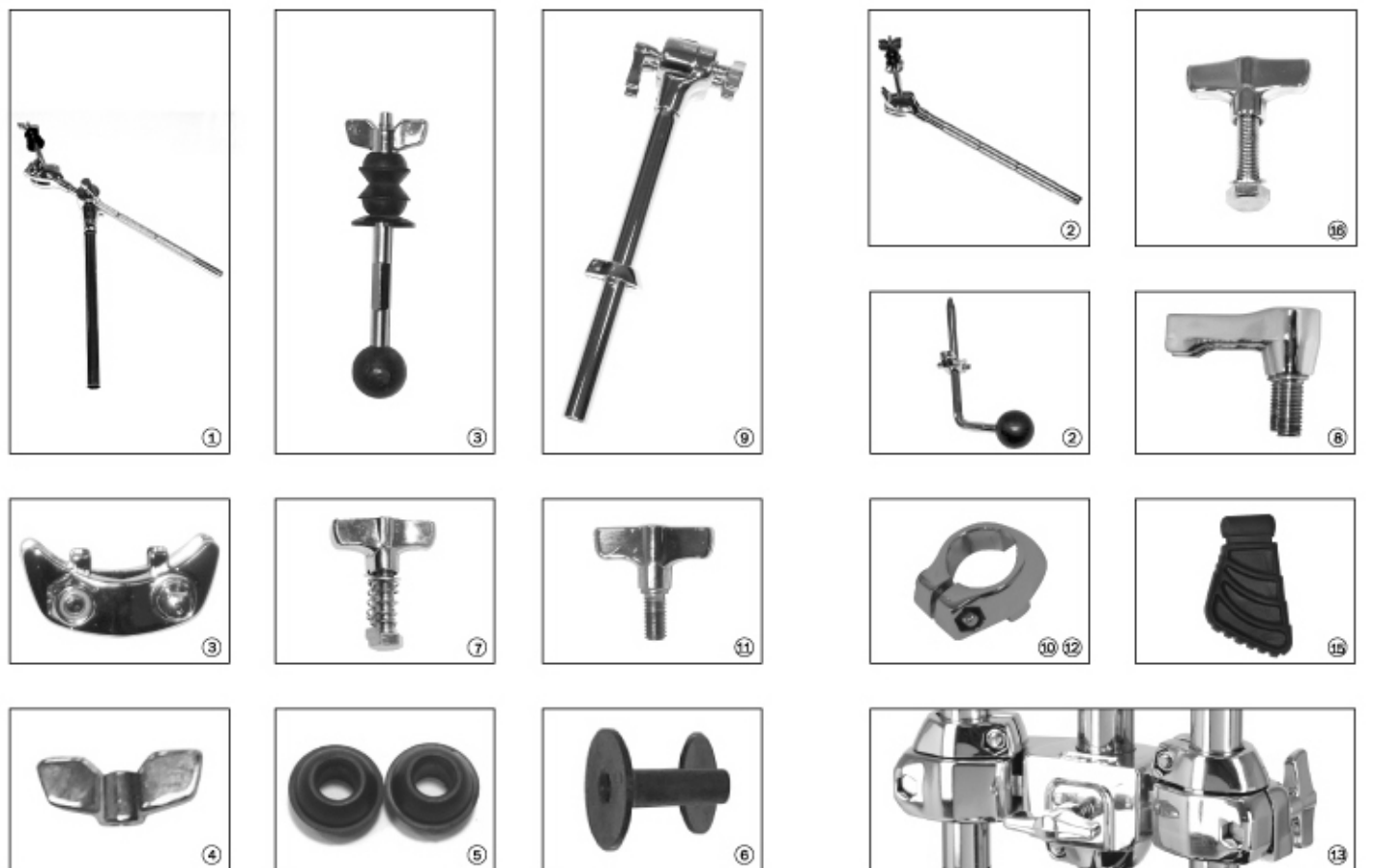
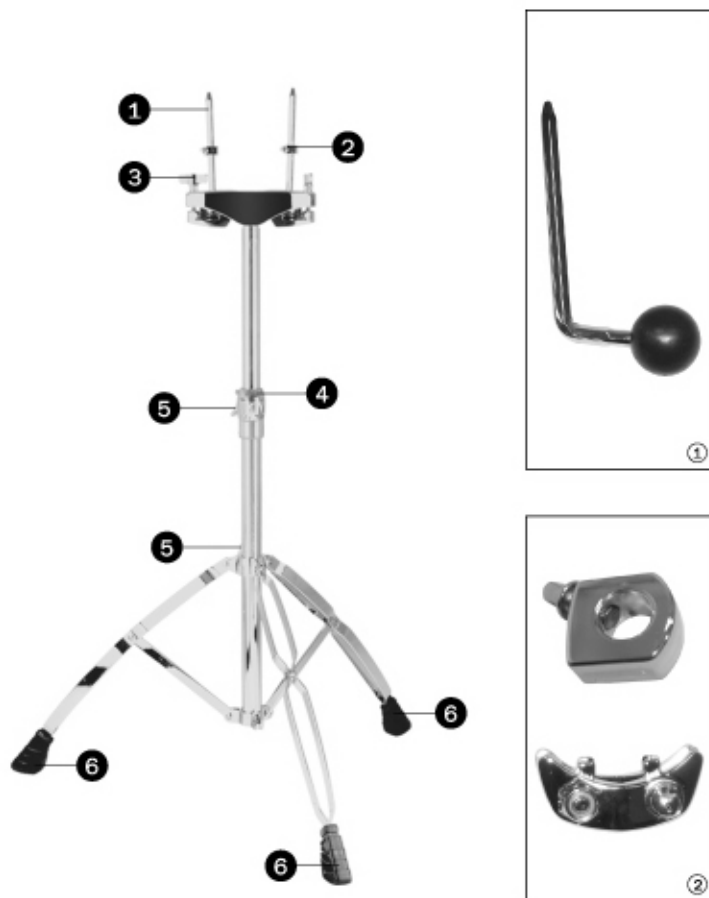
◀ TS950A / TS950 ▶

Item number	Description
① 6700-625A	Tom Holder
② 6801-024A	Ball Rod
③ 6700-095A	Stop Lock for Tube dia. 22.2mm (0.9")
④ 9700-9010A	Wing Nut / Bolt Assy.
⑤ 6750-645A	Memory Lock for Tube dia. 22.2mm (0.9")
⑥ 6600-095A	Memory Lock for Tube dia. 25.4mm (1")
⑦ AZ0800170A	Wing Screw
⑧ AC908	Multi-Use Mount Assy.
⑨ 1680-045	Rubber Foot (1pc)
⑩ 0908-6010A	Wing Screw



◀ TS550A / TS550 ▶

Item number	Description
① 6801-024	Ball Rod
② 6200-645A	Stop Lock Assy. for VX, V, QR and Q
6750-645A	Stop Lock Assy. for Orion, Saturn and Pro M
③ 9550-9010A	Wing Nut / Bolt Assembly
④ 6600-095A	Memory Lock for Tube dia. 25.4mm(1")
⑤ AZ0800170A	Wing Screw
⑥ 1224-045	Rubber Foot (1pc)



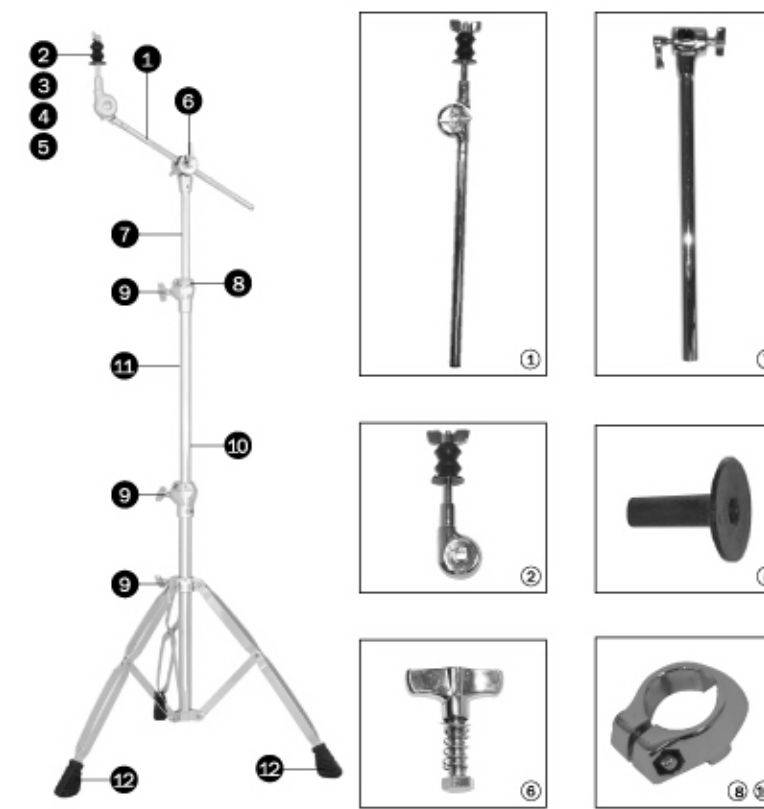
◀ B995A / B995 ▶  
◀ B990A / B990 ▶

Item number	Description
① B75	Boom Cymbal Arm
② 3680-484A	Boom Arm
③ 3680-440A	Tilter Assy.
④ NZ080020038	Wing Nut
⑤ 3480-355A	O/S Cymbal Accentuator (2pcs/pack)
3480-355	O/S Cymbal Accentuator (1pc)
⑥ 3621-325	Cymbal Washer
⑦ 3480-3010A	Wing Nut / Bolt Assembly
⑧ 1224-938A	Pro-Lok Lever
⑨ 3680-425A	Upper Tube
⑩ 6700-095A	Memory Lock for Tube dia. 22.2mm (0.9")
⑪ AZ0800170A	Wing Screw
⑫ 6600-095A	Memory Lock for Tube dia. 25.4mm (1")
⑬ AC908	Multi-Use Mount Assy.
⑭ 2215-075	Center Tube
⑮ 1680-045	Rubber Foot (1pc)
⑯ 0908-6010A	Wing Screw



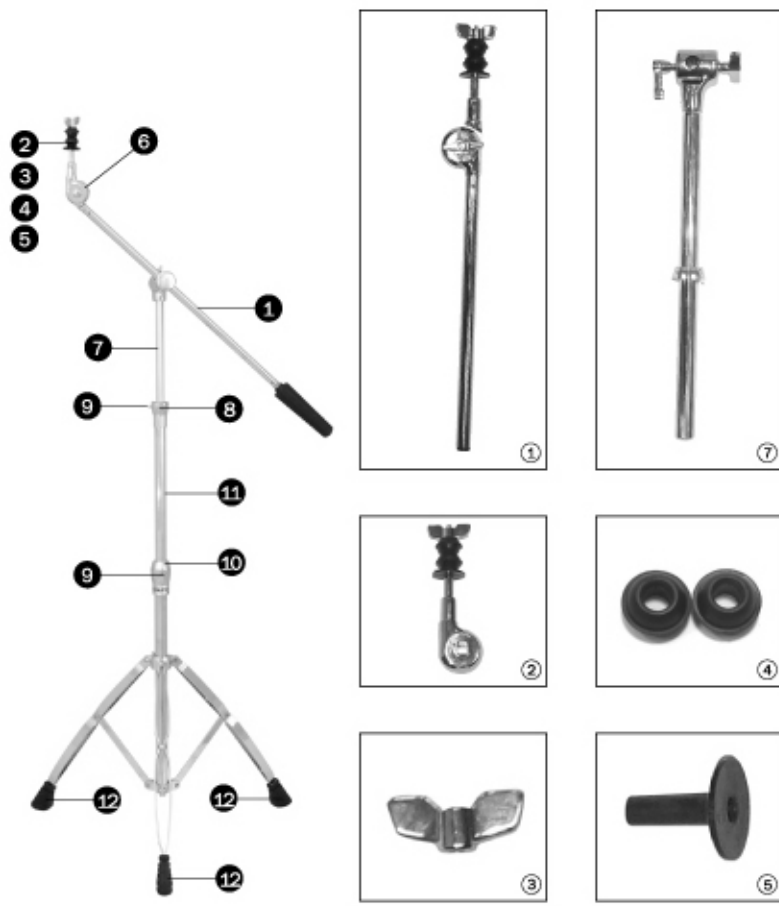
◀ B750A / B750 ▶

Item number	Description
① 3680-484A	Boom Arm
② 3680-440A	Tilter Assy.
③ NZ080020038	Wing Nut
④ 3480-355A	O/S Cymbal Accentuator (2pcs/pack)
3480-355	O/S Cymbal Accentuator(1pc)
⑤ 3621-325	Cymbal Washer
⑥ 3480-3010A	Win Nut/Balt Assembly
⑦ 3730-095A	Memory Lock for Tube dia. 15.9mm (0.6")
⑧ AZ0800170A	Wing Screw
⑨ 3650-075	Center Tube
⑩ 6700-095A	Memory Lock for Tube 22.2mm (0.9")
⑪ 1224-045	Rubber Foot (1pc) for B750A
2680-045	Rubber Foot for B750
⑫ 3665-425A	Upper Tube for B750A
3680-425A	Upper Tube for B750



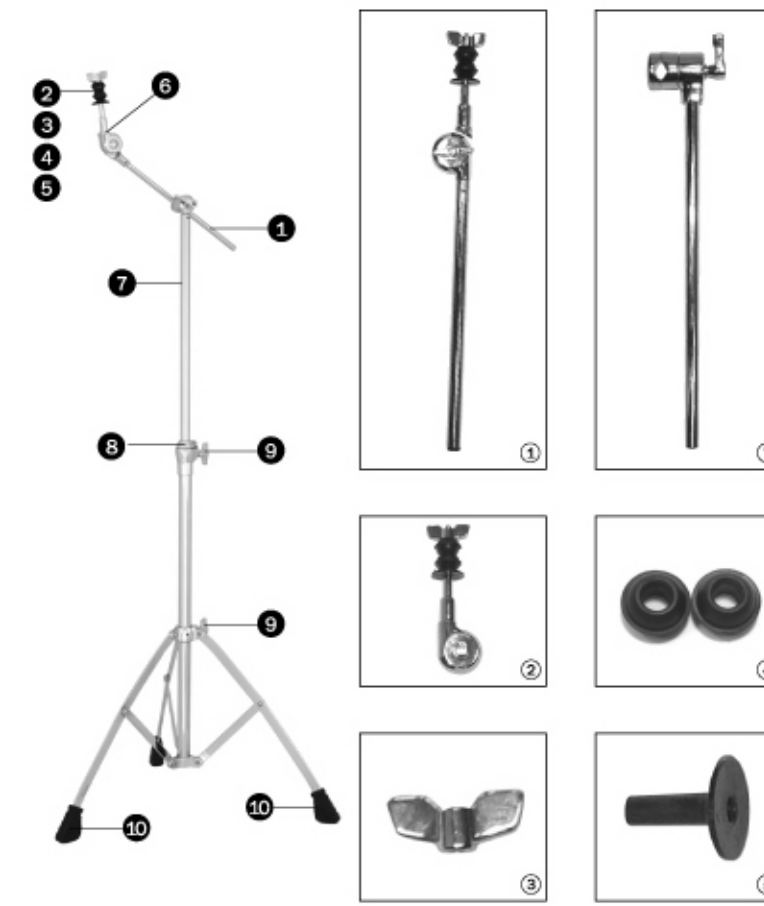
◀ B550A / B550 ▶

Item number	Description
① 3665-484A	Boom Arm for B550A
3650-484A	Boom Arm for B550
② 3402-430A	Tilter
③ NZ080020038	Wing Nut
④ 3480-355A	O/S Cymbal Accentuator (2pcs/pack)
3480-355	O/S Cymbal Accentuator(1pc)
⑤ 3621-325	Cymbal Washer
⑥ 3224-3010A	Wing Nut / Balt Assembly
⑦ 3665-425A	Upper Tube for B550A
3624-425A	Upper Tube for B550
⑧ 6700-095A	Memory Lock for Tube dia. 22.2mm(0.9")
⑨ AZ0800170A	Wing Screw
⑩ 3730-095A	Memory Lock for Tube dia. 25.4mm (1") for B550A
⑪ 3650-075	Center Tube
⑫ 1224-045	Rubber Foot (1pc)



◀ B560A / B560 ▶

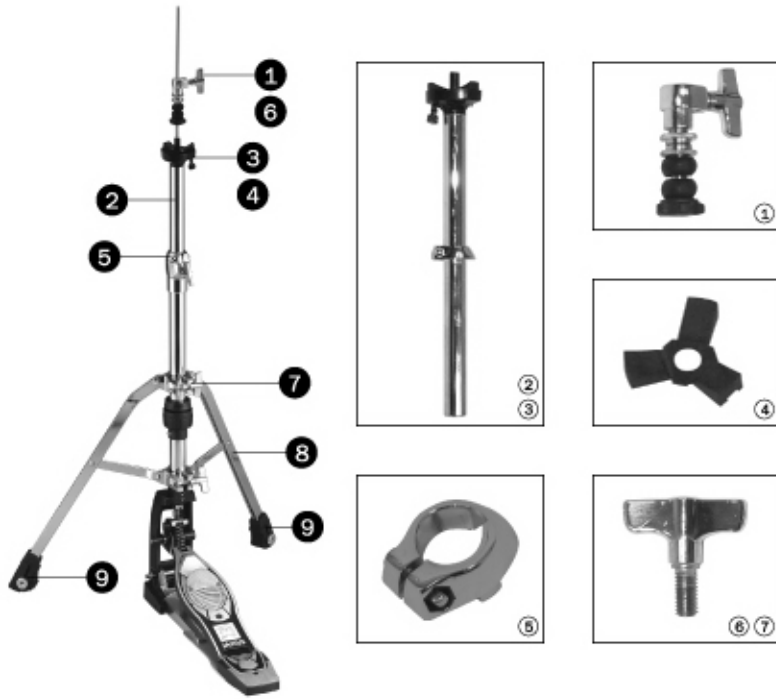
Item number	Description
① 3850-484A	Boom Arm
② 3402-430A	Tilter Assy.
③ NZ080020038	Wing Nut
④ 3480-355A	O/S Cymbal Accentuator(2pcs/pack)
3480-355	O/S Cymbal Accentuator(1pc)
⑤ 3621-325	Cymbal Washer
⑥ 3224-3010A	Wing Nut / Balt Assembly
⑦ 3855-425A	Upper Tube Assy. for B560A
3624-425A	Upper Tube Assy. for B560
⑧ 3730-095A	Memory Lock for Tube dia. 15.9mm (0.6") for B560A
⑨ AZ0800170A	Wing Screw
⑩ 6700-095A	Memory Lock for Tube dia 22.2mm(0.9")
⑪ 3650-075	Center Tube
⑫ 1224-045	Rubber Foot (1pc)



◀ B350A / B350 ▶

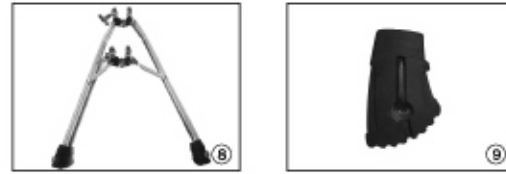
Item number	Description
① 3335-484A	Boom Arm
② 3630-430A	Tilter Assy.
③ NZ080020038	Wing Nut
④ 3480-355A	O/S Cymbal Accentuator (2pcs/pack)
3480-355	O/S Cymbal Accentuator(1pc)
⑤ 3621-325	Cymbal Washer
⑥ 3224-3010A	Wing Nut / Balt Assembly
⑦ 3535-075A	Upper Tube Complete
3618-075	Upper Tube
⑧ 3480-095A	Memory Lock for Tube dia. 19.1mm (0.8") for B350A
⑨ AZ0800170A	Wing Screw
⑩ 1123-045	Rubber Foot (1pc)





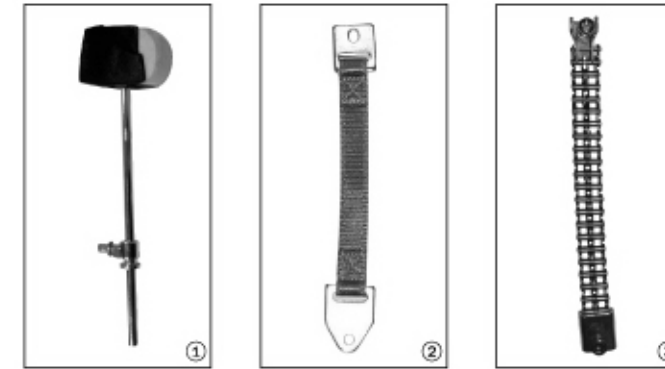
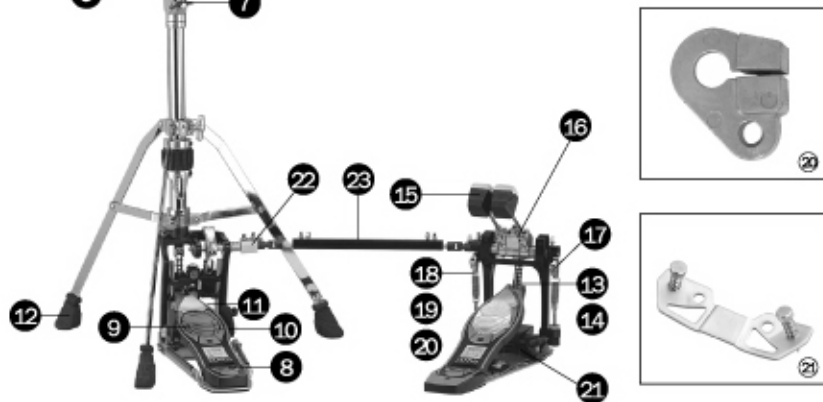
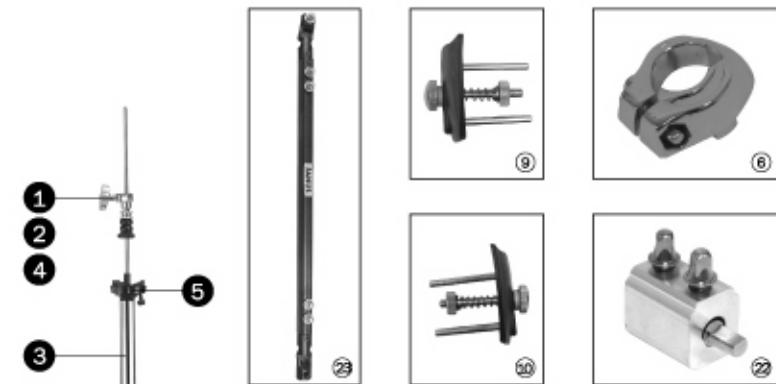
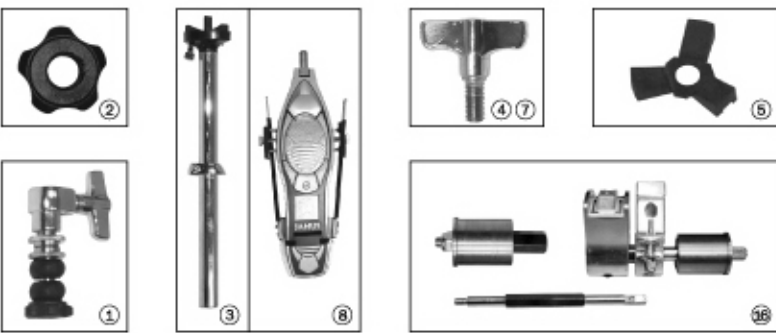
◀ JNSH6000 ▶

Item number	Description
① 2680-346A	Clutch
② 2680-075A	Upper Tube Assy.
③ 2680-320A	Cymbal Seat
④ 2680-326	Rubber Cymbal Base
⑤ 6600-095A	Memory Lock for dia. 25.4mm(1")
⑥ AZ0600200A	Wing Screw
⑦ AZ0800170A	Wing Screw
⑧ 2A50-011A	Twin Leg Assy.
⑨ 2A50-045A	Rubber Foot (1pc)



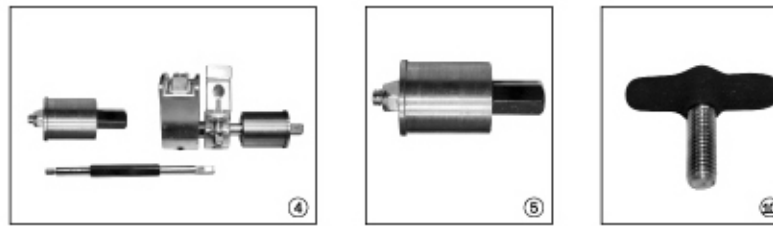
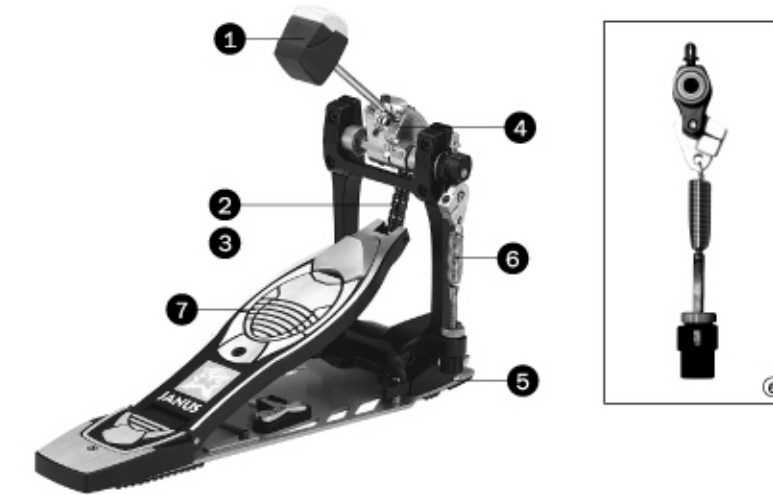
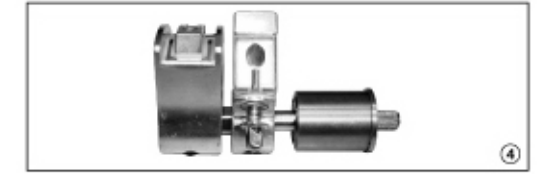
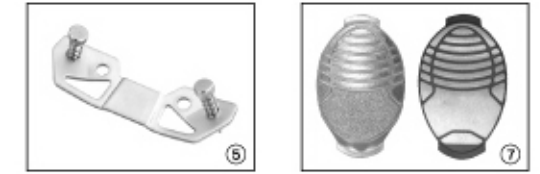
◀ JNSM7500 ▶

Item number	Description
① 2680-346A	Clutch
② 2671-360	Plastic Knob
③ 2680-075A	Upper Tube Assy.
④ 2680-320A	Cymbal Seat
⑤ AZ0600200A	Wing Screw
⑥ 2680-326	Rubber Cymbal Base
⑦ 6600-095A	Memory Lock for dia. 25.4mm(1")
⑧ AZ0800170A	Wing Screw
⑨ 2A80-220A	Pedal Plate Assy.
⑩ 2880-221A	Left Stopper Assy. for Foot Plate
⑪ 2880-222A	Right Stopper Assy. for Foot Plate
⑫ 2402-205A	Anchor Screw Assy.
⑬ 2680-045	Rubber Feet (1pc)
⑭ 4A50-256A	Belt Assy.
⑮ 4A50-255A	Chain Assy.
⑯ 4A50-515A	Drum Beater
⑰ 4A80-540A	Cam & Connector Assy.
⑱ 4A50-556A	Right Spring Assy.
⑲ 4A50-557A	Left Spring Assy.
⑳ 4A50-555X	Connector Complete for Bearing
㉑ 4A50-557	Connector Left Side
㉒ 4A50-556	Connector Right Side
㉓ 4A50-151A	Spike Assy.
㉔ 2850-207A	Connector for Linkage Assy.
㉕ 4A80-909A	Linkage Assy.



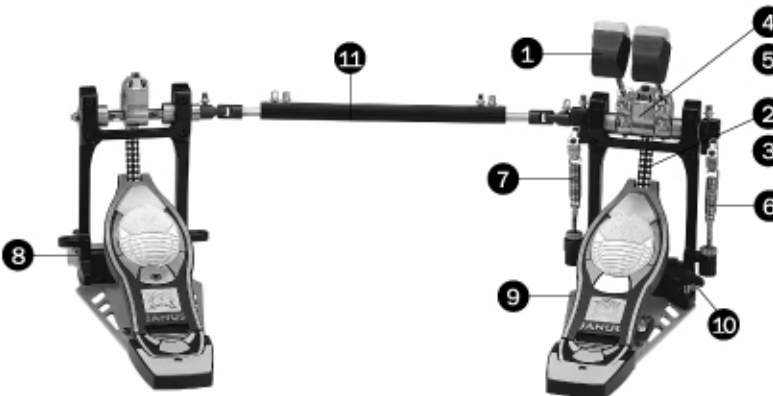
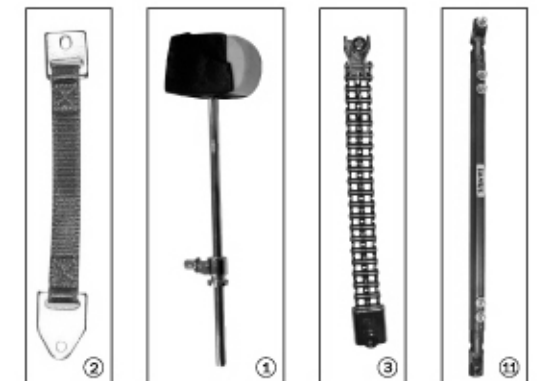
◀ JNSP7000 ▶

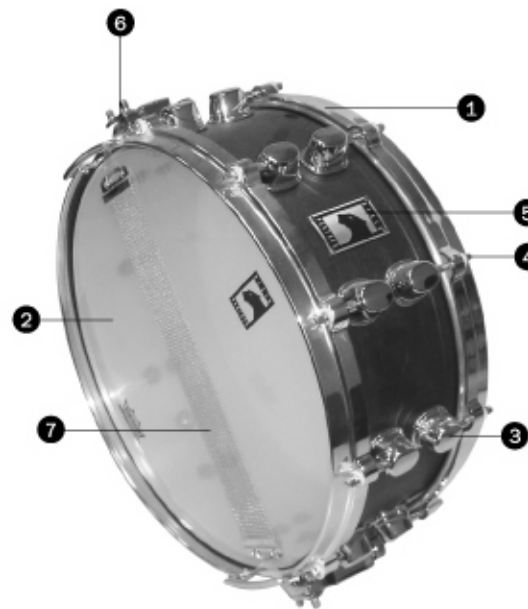
Item number	Description
① 4A50-515A	Beater Assy.
② 4A50-256A	Belt Assy.
③ 4A50-255A	Chain Assy.
④ 4A50-539A	Cam & Connector Assy.
⑤ 4A50-151A	Spike Assy.
⑥ 4A50-556A	Spring Assy.
⑦ 4A50-555X	Connector Complete for Bearing
⑧ 4A50-226B	Exchangable Plate (Smooth Side)
⑨ 4A50-227	Exchangable Plate (Regular Side)



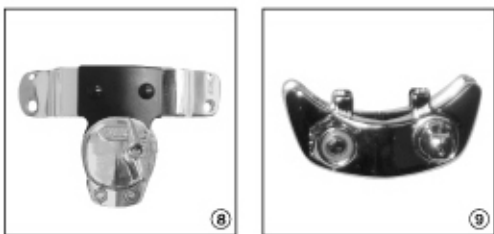
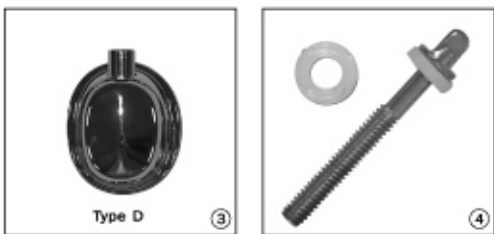
◀ JNSP7500 ▶

Item number	Description
① 4A50-515A	Beater Assy.
② 4A50-256A	Belt Assy.
③ 4A50-255A	Chain Assy.
④ 4A80-540A	Cam & Connector Assy.
⑤ 4A50-541A	Cam Assy.
⑥ 4A50-556A	Right Spring Assy.
⑦ 4A50-557A	Left Spring Assy.
⑧ 4A50-555X	Connector Complete for Bearing
⑨ 4A50-556	Connector Right Side
⑩ 4A50-557	Connector Left Side
⑪ 4A50-151A	Spike Assy.
⑫ 4A80-151A	BD Spike
⑬ ST080020040HLA	Wing Screw
⑭ 4A80-909A	Linkage Assy.

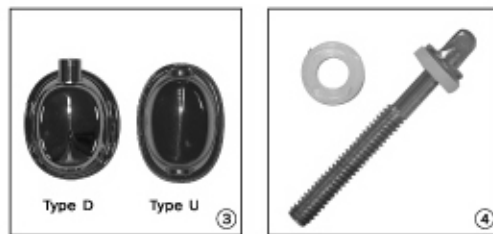




Item number	Description	Models
① 0109-14102GX	14"SN Die Cast Hoop, Snare Side, Gold Plated, 10 Holes	BPML4550 BPML4650
0109-1410GX	14"SN Die Cast Hoop, Batter Side, Gold Plated, 10 Holes	BPML4550 BPML4650
0107-14101	14"SN 2.3mm Power Hoop, Snare Side, Chrome Plated, 10 Holes	BPML4650C
0107-1410	14"SN 2.3mm Power Hoop, Batter Side, Chrome Plated, 10 Holes	BPML4650C
0107-13081	13"SN 2.3mm Power Hoop, Snare Side, Chrome Plated, 8 Holes	BPML3550C
0107-1308	13"SN 2.3mm Power Hoop, Batter Side, Chrome Plated, 8 Holes	BPML3550C
0107-10061	10"SN 2.3mm Power Hoop, Snare Side, Chrome Plated, 6 Holes	BPML0550C
0107-1006	10"SN 2.3mm Power Hoop, Batter Side, Chrome Plated, 6 Holes	BPML0550C
② 0322-114BT-BP	14"SN Head, Batter Side, (Remo WK)	BPML4550 BPML4650
0322-314SS-BP	14"SN Head, Snare Side, (Remo WK)	BPML4550 BPML4650
0335-114BT	14"SN Head, Batter Side, (Remo UT)	BPML4650C
0335-314SS	14"SN Head, Snare Side, (Remo UT)	BPML4650C
0335-113BT	13"SN Head, Batter Side, (Remo UT)	BPML3550C
0335-313SS	13"SN Head, Snare Side, (Remo UT)	BPML3550C
0335-110BT	10"SN Head, Batter Side, (Remo UT)	BPML0550C
0335-310SS	10"SN Head, Snare Side, (Remo UT)	BPML0550C
③ LUG-0711D	Lug Assy., (Type D) Chrome Plated	
LUG-0712D	Lug Assy., (Type D) Chrome Plated (for ITS Plate)	
LUG-0719D	Lug Assy., (Type D) Gold Plated	
④ SF0550400GX	Tension Rod for 5.5" Height, Gold Plated, (1pc)	
SF0550450GX	Tension Rod for 6.5" Height, Gold Plated, (1pc)	
SF0550400HX	Tension Rod for 5.5Height, Chrome Plated (1pc)	
SF0550450HX	Tension Rod for 6.5Height, Chrome Plated (1pc)	
M010-020	Washer (1pc)	
⑤ 1900B13203	BP Badge for for 5"~6.5"Height	
1900B13206	Premium Series Badge	
⑥ 0669-1740A	SN Throw-off, Release Side Assy., Gold Plated	BPML4550 BPML4650
0669-1840A	SN Throw-off, Butt Side Assy., Gold Plated	BPML4550 BPML4650
0619-1740A	SN Throw-off, Release Side, Chrome Plated	BPML0550C BPML3550C BPML4650C
0619-1840A	SN Throw-off, Butt Side, Chrome Plated	BPML0550C BPML3550C BPML4650C
⑦ 18794850GA	14" Snare Wire, Gold Plated	BPML4550 BPML4650
18794850A	14" Snare Wire, Chrome Plated	BPML4650C
1K394850A	13" Snare Wire, Chrome Plated	BPML3550C
1S582850A	10" Snare Wire, Chrome Plated	BPML0550C
⑧ 6750M2106A	SN Mount for 10"x5.5" Snare(w/ITS)	BPML0550C
⑨ 6750-645A	Stop Lock Assy. for 10" x 5.5" Snare	BPML0550C

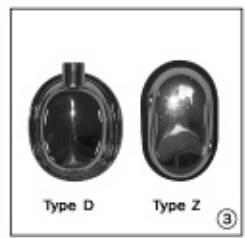


Item number	Description	Models
① 0109-13082BX	13"SN Die Cast Hoop, Snare Side, Black Plated, 8 Holes	BPBE3350
0109-1308BX	13"SN Die Cast Hoop, Batter Side, Black Plated, 8 Holes	BPBE3350
0109-14102BX	14"SN Die Cast Hoop, Snare Side, Black Plated, 10 Holes	BPBE4550 BPBE4650
0109-1410BX	14"SN Die Cast Hoop, Batter Side, Black Plated, 10 Holes	BPBE4550 BPBE4650
② 0322-113BT-BP	13"SN Head, Batter Side, (Remo WK)	BPBE3350
0322-313SS-BP	13"SN Head, Snare Side, (Remo WK)	BPBE3350
0322-114BT-BP	14"SN Head, Batter Side, (Remo WK)	BPBE4550 BPBE4650
0322-314SS-BP	14"SN Head, Snare Side, (Remo WK)	BPBE4550 BPBE4650
③ LUG-0713U	Lug Assy., (Type U) for 3.5"Height, Black Plated	
LUG-0720D	Lug Assy., (Type D) Black Plated	
④ SF0550350BX	Tension Rod for 3.5Height, Black Plated (1pc)	
SF0550400BX	Tension Rod for 5.5Height, Black Plated (1pc)	
SF0550450BX	Tension Rod for 6.5Height, Black Plated (1pc)	
M010-020	Washer(1pc)	
⑤ 1900B13203	BP Badge for 5"~6.5"Height	
1900B13201	BP Badge for 3.5"~4"Height	
1900B13206	Premium Series Badge	
⑥ 0652-1760A	SN Throw-off for 3.5" Height, Release Side Assy., Black Plated	BPBE3350
0652-1860A	SN Throw-off for 3.5" Height, Butt Side Assy., Black Plated	BPBE3350
0689-1740A	SN Throw-off, Release Side Assy., Black Plated	BPBE4550 BPBE4650
0689-1840A	SN Throw-off, Butt Side Assy., Black Plated	BPBE4550 BPBE4650
⑦ 1K394850BA	13" Snare Wire, Black Plated	BPBE3350
18794850BA	14" Snare Wire, Black Plated	BPBE4550 BPBE4650

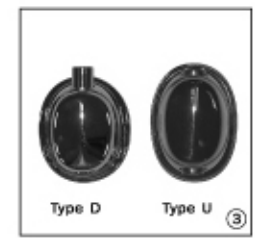




Item number	Description	Models
① 0107-10061G	10" SN 2.3mm Power Hoop, Snare Side, Gold Plated, 6 Holes	BPCW0550
0107-1006G	10" SN 2.3mm Power Hoop, Batter Side, Gold Plated, 6 Holes	BPCW0550
0109-13082GX	13" SN Die Cast Hoop, Snare Side, Gold Plated, 8 Holes	BPCW3350
0109-1308GX	13" SN Die Cast Hoop, Batter Side, Gold Plated, 8 Holes	BPCW3350
0109-14102GX	14" SN Die Cast Hoop, Snare Side, Gold Plated, 10 Holes	BPCW4550 BPCW4650
0109-1410GX	14" SN Die Cast Hoop, Batter Side, Gold Plated, 10 Holes	BPCW4550 BPCW4650
0107-10061B	10" SN 2.3mm Power Hoop, Snare Side, Black Plated, 6 Holes	BPWT0550
0107-1006B	10" SN 2.3mm Power Hoop, Batter Side, Black Plated, 6 Holes	BPWT0550
0107-13081B	13" SN 2.3mm Power Hoop, Snare Side, Black Plated, 8 Holes	BPWT3350
0107-1308B	13" SN 2.3mm Power Hoop, Batter Side, Black Plated, 8 Holes	BPWT3350
0107-14101B	14" SN 2.3mm Power Hoop, Snare Side, Black Plated, 10 Holes	BPWT4550 BPWT4650
0107-1410B	14" SN 2.3mm Power Hoop, Batter Side, Black Plated, 10 Holes	BPWT4550 BPWT4650
0107-14101	14" SN 2.3mm Power Hoop, Snare Side, Chrome Plated, 10 Holes	BPWT4650C
0107-1410	14" SN 2.3mm Power Hoop, Batter Side, Chrome Plated, 10 Holes	BPWT4650C
② 0322-114BT-BP	14" SN Head, Batter Side (Remo WK)	BPWT4550 BPWT4650
0322-314SS-BP	14" SN Head, Snare Side (Remo WK)	BPCW4550 BPWT4650
0322-113BT-BP	13" SN Head, Batter Side (Remo WK)	BPCW3350 BPWT3350
0322-313SS-BP	13" SN Head, Snare Side (Remo WK)	BPCW3350 BPWT3350
0322-110BT-BP	10" SN Head, Batter Side (Remo WK)	BPCW0550 BPWT0550
0322-310SS-BP	10" SN Head, Snare Side (Remo WK)	BPCW0550 BPWT0550
0335-114BT	14" SN Head, Batter Side (Remo UT)	BPWT4650C
0335-314SS	14" SN Head, Snare Side (Remo UT)	BPWT4650C
③ LUG-0711D	Lug Assy., (Type D) Chrome Plated	
LUG-0713Z	Lug Assy., (Type Z) for 3.5" Height, Black Plated	
LUG-0714Z	Lug Assy., (Type Z) for 3.5" Height, Gold Plated	
LUG-0719D	Lug Assy., (Type D) Gold Plated	
LUG-0720D	Lug Assy., (Type D) Black Plated	
LUG-0721D	Lug Assy., (Type D) (for I.T.S. plate) Black Plated	
LUG-0724D	Lug Assy., (Type D) (for I.T.S. plate) Gold Plated	
④ SF0550400GX	Tension Rod for 5.5" & 3.5" Height, Gold Plated (1pc)	
SF0550450GX	Tension Rod for 6.5" Height, Gold Plated (1pc)	
SF0550400BX	Tension Rod for 5.5" & 3.5" Height Black Plated (1pc)	
SF0550450BX	Tension Rod for 6.5" Height Black Plated (1pc)	
SF0550450HX	Tension Rod for 6.5" Height Chrome Plated (1pc)	
M010-020	Washer (1pc)	
⑤ 1900B13201	BP Badge for 3.5"~4" Height	
1900B13203	BP Badge for 5"~6.5" Height	
1900B13208	Deep Forest Series Badge	
⑥ 0669-1740A	SN Throw-off, Release Side, Gold Plated	BPCW4550 BPCW4650
0669-1840A	SN Throw-off, Butt Side, Gold Plated	BPCW4550 BPCW4650
0662-1760A	SN Throw-off, Release Side, Gold Plated	BPCW3350 BPCW3350
0662-1860A	SN Throw-off, Butt Side, Gold Plated	BPCW3350 BPCW3350
0689-1740A	SN Throw-off Release Side, Black Plated	BPWT4550 BPWT0550
0689-1840A	SN Throw-off Butt Side, Black Plated	BPWT4550 BPWT0550
0652-1760A	SN Throw-off Release Side, Black Plated	BPWT3350
0652-1860A	SN Throw-off, Butt Side, Black Plated	BPWT3350
0619-1740A	SN Throw-off, Release Side Assy., Chrome Plated	BPWT4650C
0619-1840A	SN Throw-off, Butt Side Assy., Chrome Plated	BPWT4650C
⑦ 18794850GA	14" Snare Wire, Gold Plated	BPCW4550 BPCW4650
15582850GA	10" Snare Wire, Gold Plated	BPCW0550
1K394850GA	13" Snare Wire, Gold Plated	BPCW3350
18794850BA	14" Snare Wire, Black Plated	BPWT4550
15582850BA	10" Snare Wire, Black Plated	BPWT0550
1K394850BA	13" Snare Wire, Black Plated	BPWT3350
18794850A	14" Snare Wire, Chrome Plated	BPWT4650C
⑧ 6750M2106A	SN Mount for 10" x 5.5" Snare	BPWT0550 BPCW0550
⑨ 6750-645A	Stop Lock Assy. for 10" x 5.5" Snare	BPCW0550 BPWT0550



Item number	Description	Models
① 0107-10061B	10" SN 2.3mm Power Hoop, Snare Side, Black Plated, 6 Holes	BPBR0551
0107-1006B	10" SN 2.3mm Power Hoop, Batter Side, Black Plated, 6 Holes	BPBR0551
0107-13081B	13" SN 2.3mm Power Hoop, Snare Side, Black Plated, 8 Holes	BPBR3351
0107-1308B	13" SN 2.3mm Power Hoop, Batter Side, Black Plated, 8 Holes	BPBR3351
0107-14101B	14" SN 2.3mm Power Hoop, Snare Side, Black Plated, 10 Holes	BPBR4551
0107-1410B	14" SN 2.3mm Power Hoop, Batter Side, Black Plated, 10 Holes	BPBR4551
0107-13081	13" SN 2.3mm Power Hoop, Snare Side, Chrome Plated, 8 Holes	BPBR3551C
0107-1308	13" SN 2.3mm Power Hoop, Batter Side, Chrome Plated, 8 Holes	BPBR3551C
② 0322-114BT-BP	14" SN Head, Batter Side (Remo WK)	BPBR4551
0322-314SS-BP	14" SN Head, Snare Side (Remo WK)	BPBR4551
0322-113BT-BP	13" SN Head, Batter Side (Remo WK)	BPBR3351
0322-313SS-BP	13" SN Head, Snare Side (Remo WK)	BPBR3351
0322-110BT-BP	10" SN Head, Batter Side (Remo WK)	BPBR0551
0322-310SS-BP	10" SN Head, Snare Side (Remo WK)	BPBR0551
0335-113BT	13" SN Head, Batter Side (Remo UT)	BPBR3551C
0335-313SS	13" SN Head, Snare Side (Remo UT)	BPBR3551C
③ LUG-0703U	Lug Assy., (Type U) for 3.5" Height, Black Plated	
LUG-0708D	Lug Assy., (Type D) Chrome Plated	
LUG-0710D	Lug Assy., (Type D) Black Plated	
④ SF0550350BX	Tension Rod for 3.5" Height, Black Plated (1pc)	
SF0550400BX	Tension Rod for 5.5" Height, Black Plated (1pc)	
SF0550400HX	Tension Rod for 5.5" Height, Chrome Plated (1pc)	
M010-020	Washer (1pc)	
⑤ 1900B13201	BP Badge for 3.5"~4" Height	
1900B13203	BP Badge for 5"~6.5" Height	
1900B13206	Premium Badge	
⑥ 0651-1560A	SN Throw-off, Release Side, Black Plated	BPBR3351
0651-1660A	SN Throw-off, Butt Side, Black Plated	BPBR3351
0679-1540A	SN Throw-off, Release Side, Black Plated	BPBR0551 BPBR4551
0679-1640A	SN Throw-off Butt Side, Black Plated	BPBR0551 BPBR4551
0609-1540A	SN Throw-off, Release Side, Chrome Plated	BPBR3551C
0609-1640A	SN Throw-off, Butt Side, Chrome Plated	BPBR3551C
⑦ 1K394850BA	13" Snare Wire, Black Plated	BPBR3351
18794850BA	14" Snare Wire, Black Plated	BPBR4551
1S582850BA	10" Snare Wire, Black Plated	BPBR0551
1K394850A	13" Snare Wire, Chrome Plated	BPBR3551C
⑧ 6750M2106A	SN Mount for 10" x 5.5" Snare	BPBR0551
⑨ 6750-645A	Stop Lock Assy. for 10" x 5.5" Snare	BPBR0551



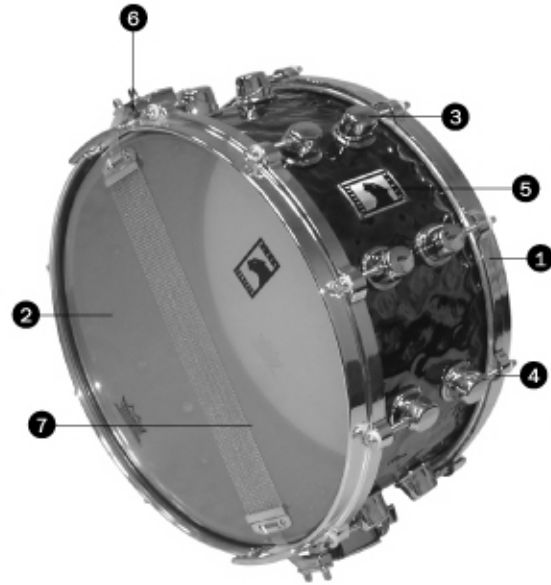
# Black Panther

# Hammered Brass Snare

# Black Panther

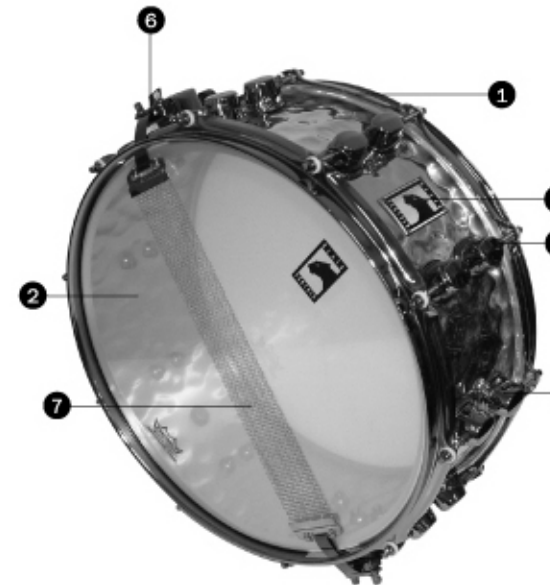
# Hammered Phosphor Bronze

Black Panther  
Hammered Brass Snare

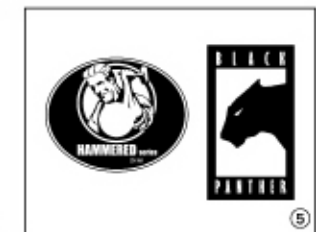
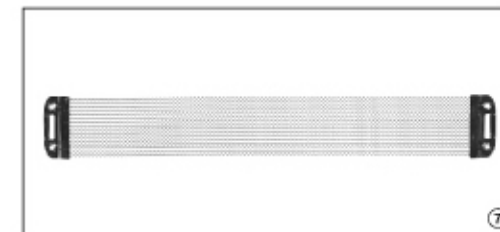
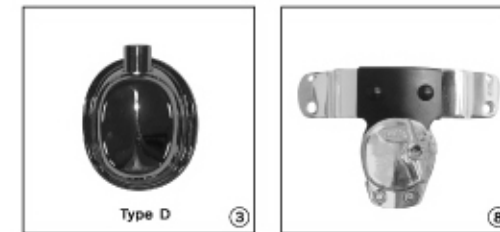
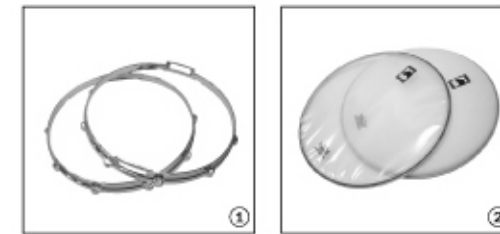
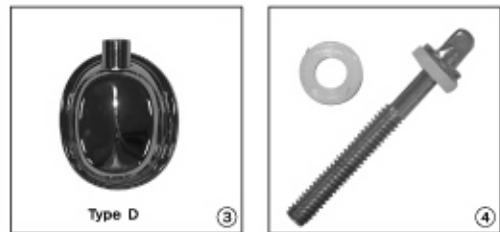


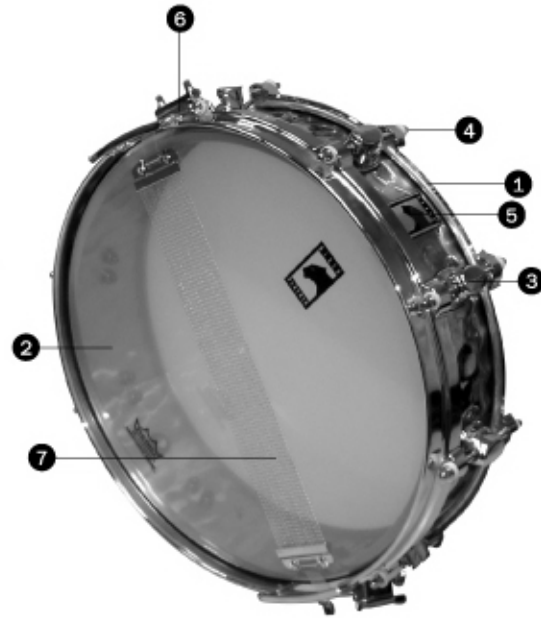
Item number	Description	Models
① 0109-14102GX	14"SN Die Cast Hoop, Snare Side, Gold Plated, 10 Holes	BPBR455H BPBR465H
0109-1410GX	14"SN Die Cast Hoop, Batter Side, Gold Plated, 10 Holes	BPBR455H BPBR465H
② 0322-114BT-BP	14"SN Head, Batter Side (Remo WK)	BPBR455H BPBR465H
0322-314SS-BP	14"SN Head, Snare Side (Remo WK)	
③ LUG-0709D	Lug Assy., (Type D) Gold Plated	
④ SF0550400GX	Tension Rod, for 5.5"Height, Gold Plated (1pc)	
SF0550450GX	Tension Rod, for 6.5"Height, Gold Plated (1pc)	
M010-020	Washer (1pc)	
⑤ 1900B13203	BP Badge for 5"~6.5"Height	
1900B13207	Hammered Series Badge	
⑥ 0659-1540A	SN Throw-off, Release Side, Gold Plated	
0659-1640A	SN Throw-off, Butt Side, Gold Plated	BPBR455H BPBR465H
⑦ 18794850GA	14" Snare Wire, Gold Plated	BPBR455H BPBR465H

Black Panther  
Hammered Phosphor Bronze

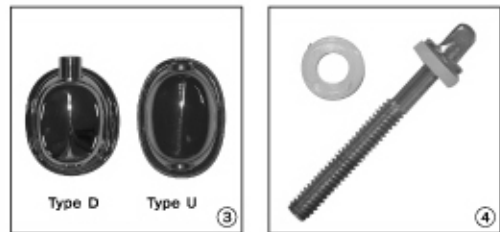


Item number	Description	Models
① 0107-10061B	10"SN 2.3mm Power Hoop, Snare Side, Black Plated, 6 Holes	BPPB055H
0107-1006B	10"SN 2.3mm Power Hoop, Batter Side, Black Plated, 6 Holes	BPPB055H
0107-14101B	14"SN 2.3mm Power Hoop, Snare Side, Black Plated, 10 Holes	BPPB455H BPPB465H
0107-1410B	14"SN 2.3mm Power Hoop, Batter Side, Black Plated, 10 Holes	BPPB455H BPPB465H
② 0322-114BT-BP	14"SN Head, Batter Side (Remo WK)	BPPB455H BPPB465H
0322-314SS-BP	14"SN Head, Snare Side (Remo WK)	BPPB455H BPPB465H
0322-110BT-BP	10"SN Head, Batter Side (Remo WK)	BPPB055H
0322-310SS-BP	10"SN Head, Snare Side (Remo WK)	BPPB055H
③ LUG-0710D	Lug Assy., (Type D) Black Plated	
④ SF0550400BX	Tension Rod for 5.5Height, Black Plated (1pc)	
SF0550450BX	Tension Rod, for 6.5Height, Black Plated (1pc)	
M010-020	Washer (1pc)	
⑤ 1900B13203	BP Badge for 5"~6.5"Height	
1900B13207	Hammered Series badge	
⑥ 0679-1540A	SN Throw-off, Release Side, Black Plated	BPPB455H BPPB465H
0679-1640A	SN Throw-off, Butt Side, Black Plated	BPPB455H BPPB465H
⑦ 1S582850BA	13"Snare Wire, Black Plated	BPPB055H
18794850BA	14"Snare Wire, Black Plated	BPPB455H BPPB465H
⑧ 6750M2106A	SN Mount for 10" x 5.5" (w/ITS)	BPPB055H
⑨ 6750-645A	Stop Lock Assy. for 10" x 5.5" Snare	BPPB055H

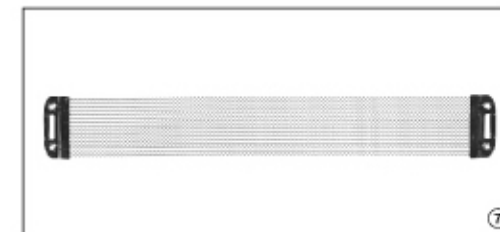
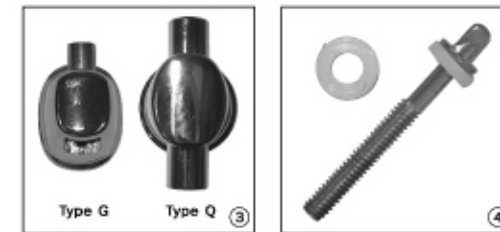
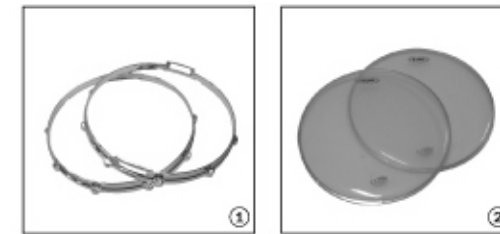




Item number	Description	Models
① 0109-13082X	13"SN Die Cast Hoop, Snare Side, Chrome Plated, 8 Holes	BPST335H
0109-1308X	13"SN Die Cast Hoop, Batter Side, Chrome Plated, 8 Holes	BPST335H
0109-14102X	14"SN Die Cast Hoop, Snare Side, Chrome Plated, 10 Holes	BPST435H BPST455H
0109-1410X	14"SN Die Cast Hoop, Batter Side, Chrome Plated, 10 Holes	BPST435H BPST455H
② 0322-114BT-BP	14"SN Head, Batter Side (Remo WK)	BPST435H BPST455H
0322-314SS-BP	14"SN Head, Snare Side (Remo WK)	BPST435H BPST455H
0322-113BT-BP	13"SN Head, Batter Side (REMO WK)	BPST335H
0322-313SS-BP	13"SN Head, Snare Side (Remo WK)	BPST335H
③ LUG-0702U	Lug Assy., (Type U) for 3.5" Height, Chrome Plated	
LUG-0708D	Lug Assy., (Type D) Chrome Plated	
④ SF0550350HX	Tension Rod for 3.5" Height, Chrome Plated (1pc)	
SF0550400HX	Tension Rod for 5.5" Height, Chrome Plated (1pc)	
M010-020	Washer (1pc)	
⑤ 1900B13201	BP Badge for 3.5"~4" Height	
1900B13203	BP Badge 5"~6.5" Height	
1900B13207	Hammered Badge	
⑥ 0641-1560A	SN Throw-off, Release Side, for 3.5" Height, Chrome Plated	BPST335H BPST435H
0641-1660A	SN Throw-off, Butt Side, for 3.5" Height, Chrome Plated	BPST335H BPST435H
0609-1540A	SN Throw-off, Release Side, Chrome Plated	BPST455H
0609-1640A	SN Throw-off, Butt Side, Chrome Plated	BPST455H
⑦ 1K394850A	13" Snare Wire, Chrome Plated	BPST335H
18794850A	14" Snare Wire, Chrome Plated	BPST435H BPST455H

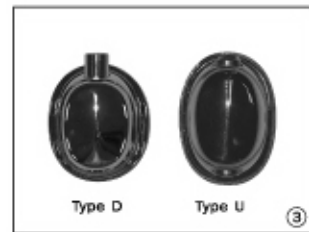


Item number	Description	Models
① 0107-14101	14"SN 2.3mm Power Hoop, Snare Side, Chrome Plated, 10 Holes	SD4655XN SD4555XN
0107-1410	14"SN 2.3mm Power Hoop, Batter Side, Chrome Plated, 10 Holes	SD4655XN SD4555XN
0107-13081	13"SN 2.3mm Power Hoop, Snare Side, Chrome Plated, 8 Holes	SD3354XN SD3555XN
0107-1308	13"SN 2.3mm Power Hoop, Batter Side, Chrome Plated, 8 Holes	SD3354XN SD3555XN
0107-12081	12"SN 2.3mm Power Hoop, Snare Side, Chrome Plated, 8 Holes	SD2705XN
0107-1208	12"SN 2.3mm Power Hoop, Batter Side, Chrome Plated, 8 Holes	SD2705XN
② 0334-114BT	14"SN Head, Batter Side	SD4655XN SD4555XN
0334-314SS	14"SN Head, Snare Side	SD4655XN SD4555XN
0334-113BT	13"SN Head, Batter Side	SD3354XN SD3555XN
0334-313SS	13"SN Head, Snare Side	SD3354XN SD3555XN
0334-112BT	12"SN Head, Batter Side	SD2705XN
0334-312SS	12"SN Head, Snare Side	SD2705XN
③ LUG-0702G	SN Lug Assy., Chrome Plated (Type G)	
LUG-0723Q	SN Lug Assy., Chrome Plated (Type Q)	
④ SF0550300HX	Tension Rod for 3.5" Height, Chrome Plated (1pc)	
SF0550450HX	Tension Rod for 6.5" Height, Chrome Plated (1pc)	
M010-020	Washer (1pc)	
⑤ 1900M12307	Badge Assy	
⑥ 0630-1760A	SN Throw-off, Release Side Assy., Chrome Plated	SD4655XN SD4555XN
0630-1860A	SN Throw-off, Butt Side Assy., Chrome Plated	SD4655XN SD4555XN
0642-1760A	SN Throw-off, Release Side Assy., for 3.5" Height, Chrome Plated	SD3555XN SD2705XN
0642-1860A	SN Throw-off, Butt Side Assy., for 3.5" Height, Chrome Plated	SD3354XN
⑦ 18794850A	14" Snare Wire, Chrome Plated	SD4655XN SD4555XN
1K394850A	13" Snare Wire, Chrome Plated	SD3354XN SD3555XN
1A394850A	12" Snare Wire, Chrome Plated	SD2705XN

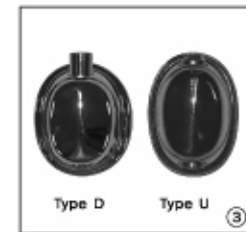




Item number	Description	Models
① 0107-10061B	10"SN 2.3mm Power Hoop, Snare Side, Black Plated, 6 Holes	BPST0551
0107-1006B	10"SN 2.3mm Power Hoop, Batter Side, Black Plated, 6 Holes	BPST0551
0107-13081B	13"SN 2.3mm Power Hoop, Snare Side, Black Plated, 8 Holes	BPST3351
0107-1308B	13"SN 2.3mm Power Hoop, Batter Side, Black Plated, 8 Holes	BPST3351
0107-14101B	14"SN 2.3mm Power Hoop, Snare Side, Black Plated, 10 Holes	BPST4551 BPST4651
0107-1410B	14"SN 2.3mm Power Hoop, Bater Side, Black Plated, 10 Holes	BPST4551 BPST4651
② 0322-114BT-BP	14"SN Head, Batter Side (Remo WK)	BPST4551 BPST4651
0322-314SS-BP	14"SN Head, Snare Side (Remo WK)	BPST4551 BPST4651
0322-113BT-BP	13"SN Head, Batter Side (Remo WK)	BPST3351
0322-313SS-BP	13"SN Head, Snare Side (Remo WK)	BPST3351
0322-110BT-BP	10"SN Head, Batter Side (Remo WK)	BPST0551
0322-310SS-BP	10"SN Head, Snare Side (Remo WK)	BPST0551
③ LUG-0703U	Lug Assy., (Type U) for 3.5"Height, Black Plated	
LUG-0710D	Lug Assy., (Type D) Black Plated	
④ SF0550350BX	Tension Rod for 3.5Height, Black Plated (1pc)	
SF0550400BX	Tension Rod for 5.5Height, Black Plated (1pc)	
SF0550450BX	Tension Rod for 6.5Height, Black Plated (1pc)	
M010-020	Washer (1pc)	
⑤ 1900B13201	BP Badge for 3.5"~4"Height	
1900B13203	BP Badge for 5"~6.5"Height	
1900B13206	Premium Series Badge	
⑥ 0651-1560A	SN Throw-off, Release Side	BPST3351
0651-1660A	SN Throw-off, Butt Side	BPST3351
0679-1540A	SN Throw-off, Release Side	BPST4551 BPST4651
0679-1640A	SN Throw-off, Butt Side	BPST4551 BPST4651
⑦ 1K394850BA	13"Snare Wire, Black Plated	BPST3351
18794850BA	14"Snare Wire, Black Plated	BPST3351
1S582850BA	10"Snare Wire, Black Plated	BPST4551 BPST4651
⑧ 6750M2106A	SN Mount for 10" x 5.5" Snare	BPST0551
⑨ 6750-645A	Stop Lock Assy. for 10" x 5.5" Snare	BPST0551



Item number	Description	Models
① 0107-14101B	14"SN 2.3mm Power Hoop, Snare Side, Black Plated, 10 Holes	BPPB4351 BPPB4551
0107-1410B	14"SN 2.3mm Power Hoop, Batter Side, Black Plated, 10 Holes	BPPB4351 BPPB4551
② 0322-114BT-BP	14"SN Head, Batter Side (Remo WK)	BPPB4351 BPPB4551
0322-314SS-BP	14"SN Head, Snare Side (Remo WK)	BPPB4351 BPPB4551
③ LUG-0703U	Lug Assy., (Type U) for 3.5"Height, Black Plated	
LUG-0710D	Lug Assy., (Type D) Black Plated	
④ SF0550350BX	Tension Rod for 3.5"Height, Black Plated (1pc)	
SF0550400BX	Tension Rod for 5.5"Height, Black Plated (1pc)	
SF0550450BX	Tension Rod for 6.5"Height, Black Plated (1pc)	
M010-020	Washer (1pc)	
⑤ 1900B13201	BP Badge for 3.5"~4"Height	
1900B13203	BP Badge for 5"~6.5"Height	
1900B13206	Precious Metal Series Badge	
⑥ 0651-1560A	SN Throw-off, Release Side, Black Plated	BPPB4351
0651-1660A	SN Throw-off, Butt Side, Black Plated	BPPB4351
0679-1540A	SN Throw-off, Release Side, Black Plated	BPPB4551 BPPB4651
0679-1640A	SN Throw-off, Butt Side, Black Plated	BPPB4551 BPPB4651
⑦ 18794850BA	14"Snare Wire, Black Plated	BPPB4351 BPPB4551





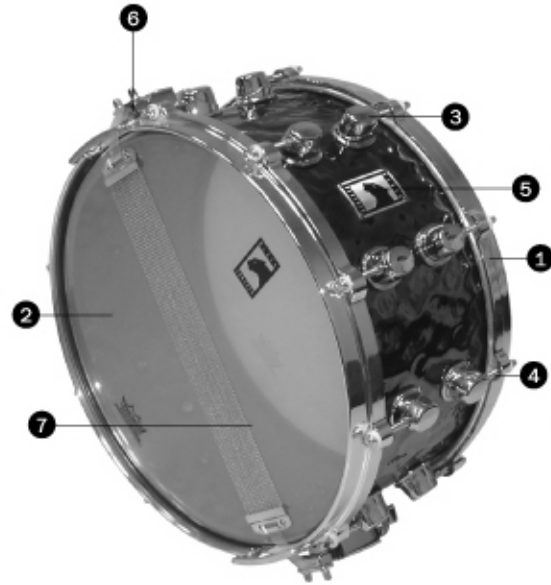
# Black Panther

# Hammered Brass Snare

# Black Panther

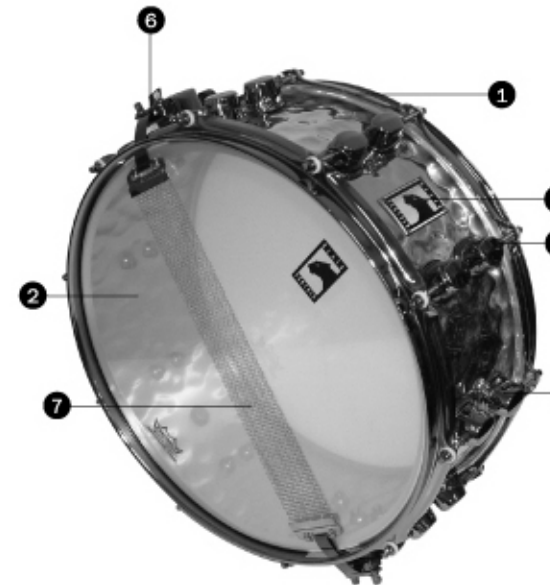
# Hammered Phosphor Bronze

Black Panther  
Hammered Brass Snare

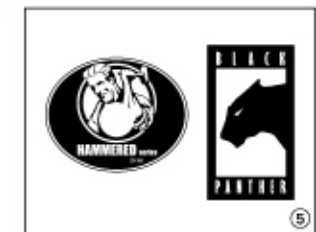
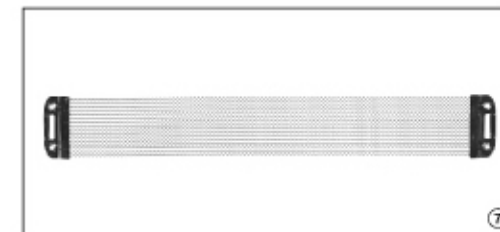
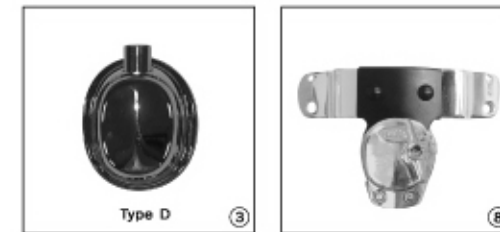
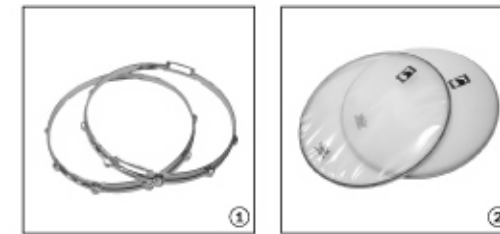
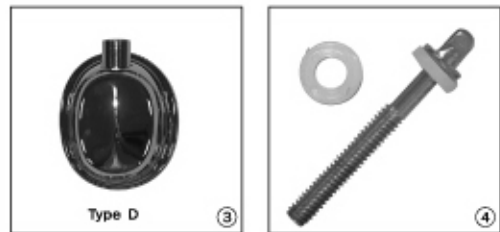


Item number	Description	Models
① 0109-14102GX	14"SN Die Cast Hoop, Snare Side, Gold Plated, 10 Holes	BPBR455H BPBR465H
0109-1410GX	14"SN Die Cast Hoop, Batter Side, Gold Plated, 10 Holes	BPBR455H BPBR465H
② 0322-114BT-BP	14"SN Head, Batter Side (Remo WK)	BPBR455H BPBR465H
0322-314SS-BP	14"SN Head, Snare Side (Remo WK)	
③ LUG-0709D	Lug Assy., (Type D) Gold Plated	
④ SF0550400GX	Tension Rod, for 5.5"Height, Gold Plated (1pc)	
SF0550450GX	Tension Rod, for 6.5"Height, Gold Plated (1pc)	
M010-020	Washer (1pc)	
⑤ 1900B13203	BP Badge for 5"~6.5"Height	
1900B13207	Hammered Series Badge	
⑥ 0659-1540A	SN Throw-off, Release Side, Gold Plated	
0659-1640A	SN Throw-off, Butt Side, Gold Plated	BPBR455H BPBR465H
⑦ 18794850GA	14" Snare Wire, Gold Plated	BPBR455H BPBR465H

Black Panther  
Hammered Phosphor Bronze

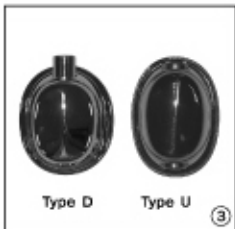


Item number	Description	Models
① 0107-10061B	10"SN 2.3mm Power Hoop, Snare Side, Black Plated, 6 Holes	BPPB055H
0107-1006B	10"SN 2.3mm Power Hoop, Batter Side, Black Plated, 6 Holes	BPPB055H
0107-14101B	14"SN 2.3mm Power Hoop, Snare Side, Black Plated, 10 Holes	BPPB455H BPPB465H
0107-1410B	14"SN 2.3mm Power Hoop, Batter Side, Black Plated, 10 Holes	BPPB455H BPPB465H
② 0322-114BT-BP	14"SN Head, Batter Side (Remo WK)	BPPB455H BPPB465H
0322-314SS-BP	14"SN Head, Snare Side (Remo WK)	BPPB455H BPPB465H
0322-110BT-BP	10"SN Head, Batter Side (Remo WK)	BPPB055H
0322-310SS-BP	10"SN Head, Snare Side (Remo WK)	BPPB055H
③ LUG-0710D	Lug Assy., (Type D) Black Plated	
④ SF0550400BX	Tension Rod for 5.5Height, Black Plated (1pc)	
SF0550450BX	Tension Rod, for 6.5Height, Black Plated (1pc)	
M010-020	Washer (1pc)	
⑤ 1900B13203	BP Badge for 5"~6.5"Height	
1900B13207	Hammered Series badge	
⑥ 0679-1540A	SN Throw-off, Release Side, Black Plated	BPPB455H BPPB465H
0679-1640A	SN Throw-off, Butt Side, Black Plated	BPPB455H BPPB465H
⑦ 1S582850BA	13"Snare Wire, Black Plated	BPPB055H
18794850BA	14"Snare Wire, Black Plated	BPPB455H BPPB465H
⑧ 6750M2106A	SN Mount for 10" x 5.5" (w/ITS)	BPPB055H
⑨ 6750-645A	Stop Lock Assy. for 10" x 5.5" Snare	BPPB055H



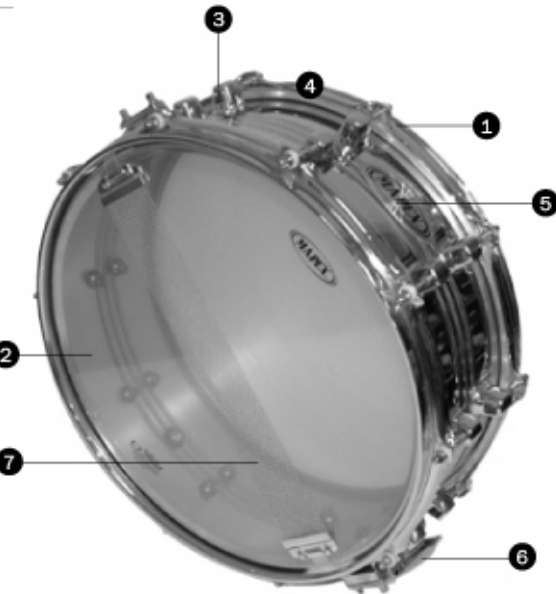


Item number	Description	Models
① 0109-13082X	13"SN Die Cast Hoop, Snare Side, Chrome Plated, 8 Holes	BPST335H
0109-1308X	13"SN Die Cast Hoop, Batter Side, Chrome Plated, 8 Holes	BPST335H
0109-14102X	14"SN Die Cast Hoop, Snare Side, Chrome Plated, 10 Holes	BPST435H BPST455H
0109-1410X	14"SN Die Cast Hoop, Batter Side, Chrome Plated, 10 Holes	BPST435H BPST455H
② 0322-114BT-BP	14"SN Head, Batter Side (Remo WK)	BPST435H BPST455H
0322-314SS-BP	14"SN Head, Snare Side (Remo WK)	BPST435H BPST455H
0322-113BT-BP	13"SN Head, Batter Side (Remo WK)	BPST335H
0322-313SS-BP	13"SN Head, Snare Side (Remo WK)	BPST335H
③ LUG-0702U	Lug Assy., (Type U) for 3.5" Height, Chrome Plated	
LUG-0708D	Lug Assy., (Type D) Chrome Plated	
④ SF0550350HX	Tension Rod for 3.5" Height, Chrome Plated (1pc)	
SF0550400HX	Tension Rod for 5.5" Height, Chrome Plated (1pc)	
M010-020	Washer (1pc)	
⑤ 1900B13201	BP Badge for 3.5"~4" Height	
1900B13203	BP Badge 5"~6.5" Height	
1900B13207	Hammered Badge	
⑥ 0641-1560A	SN Throw-off, Release Side, for 3.5" Height, Chrome Plated	BPST335H BPST435H
0641-1660A	SN Throw-off, Butt Side, for 3.5" Height, Chrome Plated	BPST335H BPST435H
0609-1540A	SN Throw-off, Release Side, Chrome Plated	BPST455H
0609-1640A	SN Throw-off, Butt Side, Chrome Plated	BPST455H
⑦ 1K394850A	13" Snare Wire, Chrome Plated	BPST335H
18794850A	14" Snare Wire, Chrome Plated	BPST435H BPST455H



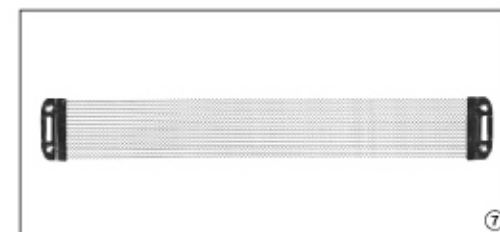
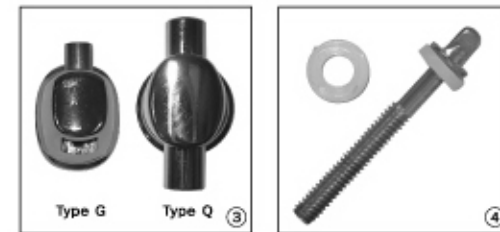
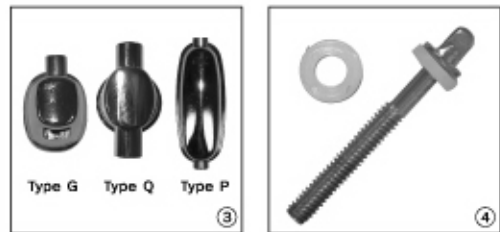
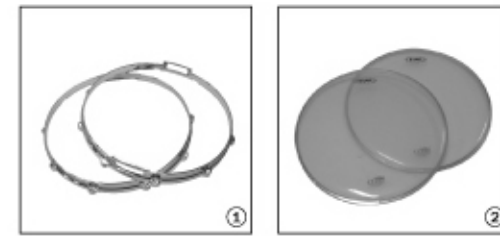
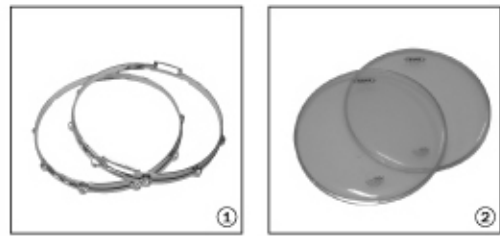
Item number	Description	Models
① 0107-14101	14"SN 2.3mm Power Hoop, Snare Side, Chrome Plated, 10 Holes	SD4655XN SD4555XN
0107-1410	14"SN 2.3mm Power Hoop, Batter Side, Chrome Plated, 10 Holes	SD4655XN SD4555XN
0107-13081	13"SN 2.3mm Power Hoop, Snare Side, Chrome Plated, 8 Holes	SD3354XN SD3555XN
0107-1308	13"SN 2.3mm Power Hoop, Batter Side, Chrome Plated, 8 Holes	SD3354XN SD3555XN
0107-12081	12"SN 2.3mm Power Hoop, Snare Side, Chrome Plated, 8 Holes	SD2705XN
0107-1208	12"SN 2.3mm Power Hoop, Batter Side, Chrome Plated, 8 Holes	SD2705XN
② 0334-114BT	14"SN Head, Batter Side	SD4655XN SD4555XN
0334-314SS	14"SN Head, Snare Side	SD4655XN SD4555XN
0334-113BT	13"SN Head, Batter Side	SD3354XN SD3555XN
0334-313SS	13"SN Head, Snare Side	SD3354XN SD3555XN
0334-112BT	12"SN Head, Batter Side	SD2705XN
0334-312SS	12"SN Head, Snare Side	SD2705XN
③ LUG-0702G	SN Lug Assy., Chrome Plated (Type G)	
LUG-0723Q	SN Lug Assy., Chrome Plated (Type Q)	
④ SF0550300HX	Tension Rod for 3.5" Height, Chrome Plated (1pc)	
SF0550450HX	Tension Rod for 6.5" Height, Chrome Plated (1pc)	
M010-020	Washer (1pc)	
⑤ 1900M12307	Badge Assy	
⑥ 0630-1760A	SN Throw-off, Release Side Assy., Chrome Plated	SD4655XN SD4555XN SD3555XN SD2705XN
0630-1860A	SN Throw-off, Butt Side Assy., Chrome Plated	SD4655XN SD4555XN SD3555XN SD2705XN
0642-1760A	SN Throw-off, Release Side Assy., for 3.5" Height, Chrome Plated	SD3354XN
0642-1860A	SN Throw-off, Butt Side Assy., for 3.5" Height, Chrome Plated	SD3354XN
⑦ 18794850A	14" Snare Wire, Chrome Plated	SD4655XN SD4555XN
1K394850A	13" Snare Wire, Chrome Plated	SD3354XN SD3555XN
1A394850A	12" Snare Wire, Chrome Plated	SD2705XN

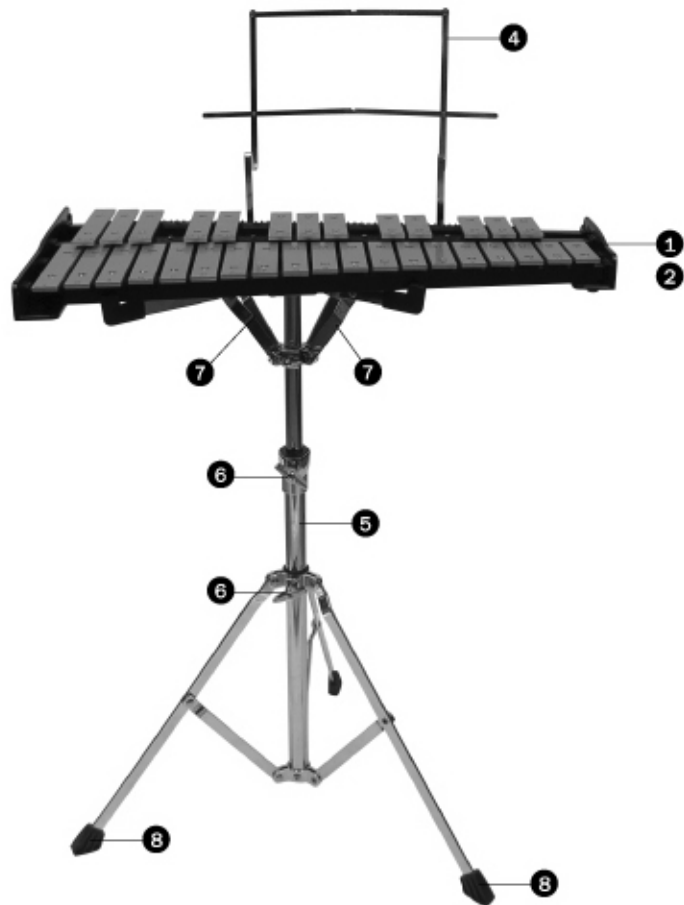




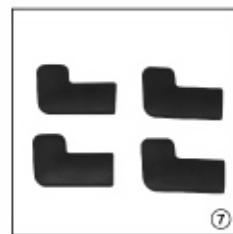
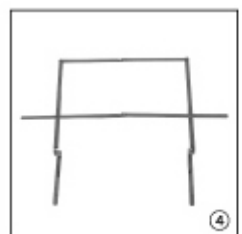
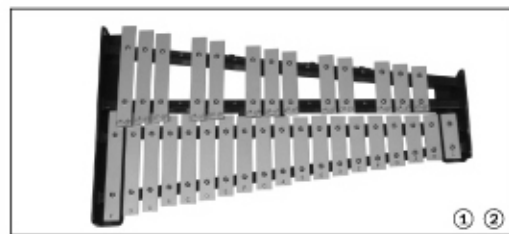
Item number	Description	Models
① 0107-14101	14"SN 2.3mm Power Hoop, Snare Side, Chrome Plated, 10 Holes	ST4505 ST4654
0107-1410	14"SN 2.3mm Power Hoop, Batter Side, Chrome Plated, 10 Holes	ST4505 ST4654
0107-10061	10"SN 2.3mm Power Hoop, Snare Side, Chrome Plated, 6 Holes	ST0554
0107-1006	10"SN 2.3mm Power Hoop, Batter Side, Chrome Plated, 6 Holes	ST0554
0107-13081	13"SN 2.3mm Power Hoop, Snare Side, Chrome Plated, 8 Holes	ST3354 ST3554
0107-1308	13"SN 2.3mm Power Hoop, Batter Side, Chrome Plated, 8 Holes	ST3354 ST3554
② 0334-114BT	14"SN Head, Batter Side	ST4505 ST4654
0334-314SS	14"SN Head, Snare Side	ST4505 ST4654
0334-113BT	13"SN Head, Batter Side	ST3354 ST3554
0334-313SS	13"SN Head, Snare Side	ST3354 ST3554
0334-110BT	10"SN Head, Batter Side	ST0554
0334-310SS	10"SN Head, Snare Side	ST0554
③ LUG-0708G	SN Lug Assy., Chrome Plated (Type G)	
LUG-0732P	SN Lug Assy., Chrome Plated (Type P)	
LUG-0733Q	Lug Assy. (for 3.5" Height) (Type Q)	
④ SF0550300HX	Tension Rod for 3.5"Height, Chrome Plated (1pc)	
SF0550400HX	Tension Rod, Chrome Plated (1pc)	
SF0550450HX	Tension Rod, Chrome Plated (1pc)	
SF0550560HX	Tension Rod, Chrome Plated (1pc)	
M010-020	Washer (1pc)	
⑤ 1900M12300	Badge Assy.	
⑥ 0621-1560A	SN Throw-off, Release Side Assy., Chrome Plated	ST4505
0620-1560A	SN Throw-off, Release Side Assy., Chrome Plated	ST3554 ST4654
0620-1660A	SN Throw-off, Butt Side Assy., Chrome Plated	ST3554 ST4654
0641-1560A	SN Throw-off, Release Side Assy., Chrome Plated (for 3.5" Height)	ST0554 ST4505
0641-1660A	SN Throw-off Butt Side Assy., Chrome Plated (for 3.5" Height)	ST3354
⑦ 1K394850A	13"Snare Wire, Chrome Plated	ST3354 ST3554
18794850A	14"Snare Wire, Chrome Plated	ST4505 ST4654
1S582850A	10"Snare Wire, Chrome Plated	ST0554
⑧ 6746M	SN Mount for 10"x5.5" Snare (w/o ITS)	ST0554
⑨ 6750-645A	Stop Lock Assy.	ST0554

Item number	Description	Models
① 0107-14101	14"SN (2.3t) Hoop, Snare Side, Chrome Plated, 10 Holes	BR4505 BR4655
0107-1410	14"SN (2.3t) Hoop, Batter Side, Chrome Plated, 10 Holes	BR4505 BR4655
0107-13081	13"SN (2.3t) Hoop, Snare Side, Chrome Plated, 8 Holes	BR3355
0107-1308	13"SN (2.3t) Hoop, Batter Side, Chrome Plated, 8 Holes	BR3355
② 0334-114BT	14"SN Head, Batter Side	BR4505 BR4655
0334-314SS	14"SN Head, Snare Side	BR4505 BR4655
0334-113BT	13"SN Head, Batter Side	BR3355
0334-313SS	13"SN Head, Snare Side	BR3355
③ LUG-0708G	SN Lug Assy., Chrome Plated (Type G)	
LUG-0733Q	SN Lug Assy., Chrome Plated (for 3.5" Height) (Type Q)	
④ SF0550300HX	Tension Rod for 3.5"Height, Chrome Plated (1pc)	
SF0550400HX	Tension Rod, Chrome Plated (1pc)	
SF0550450HX	Tension Rod, Chrome Plated (1pc)	
M010-020	Washer (1pc)	
⑤ 1900M12300	Badge Assy.	
⑥ 0641-1560A	SN Throw-off, Release Side Assy., Chrome Plated (for 3.5" Height)	BR3355
0641-1660A	SN Throw-off, Release Side Assy., Chrome Plated (for 3.5" Height)	BR3355
0620-1560A	SN Throw-off, Release Side Assy., Chrome Plated	BR4655
0620-1660A	SN Throw-off, Release Side Assy., Chrome Plated	BR4505 BR4655
0621-1560A	SN Throw-off, Release Side Assy., Chrome Plated	BR4505
⑦ 1K394850A	13"Snare Wire, Chrome Plated	BR3355
18794850A	14"Snare Wire, Chrome Plated	BR4505 BR4655

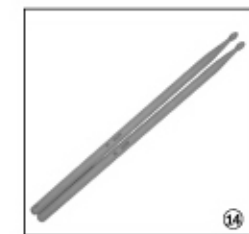
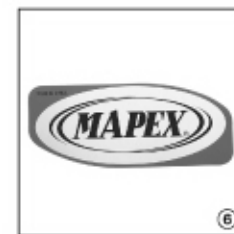
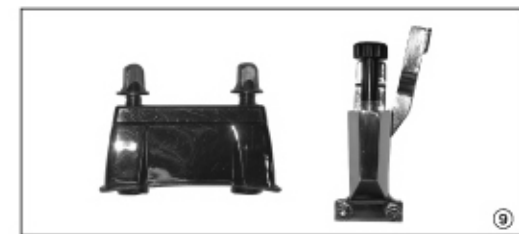




Item number	Description
① GL32H25	32 Note Bell
② MMAP10310	Bar-A3
MMAP10315	Bar-A3#B3b
MMAP10410	Bar-A4
MMAP10415	Bar-A4#B4b
MMAP10510	Bar-A5
MMAP10515	Bar-A5#B5b
MMAP20310	Bar-B3
MMAP20410	Bar-B4
MMAP20510	Bar-B5
MMAP30410	Bar-C4
MMAP30415	Bar-C4#D4b
MMAP30510	Bar-C5
MMAP30515	Bar-C5#D5b
MMAP30610	Bar-C6
MMAP40410	Bar-D4
MMAP40415	Bar-D4#E4b
MMAP40510	Bar-D5
MMAP40515	Bar-D5#E5b
MMAP50410	Bar-E4
MMAP50510	Bar-E5
MMAP60310	Bar-F3
MMAP60315	Bar-F3#G3b
MMAP60410	Bar-F4
MMAP60415	Bar-F4#G4b
MMAP60510	Bar-F5
MMAP60515	Bar-F5#G5b
MMAP70310	Bar-G3
MMAP70315	Bar-G3#A3b
MMAP70410	Bar-G4
MMAP70415	Bar-G4#A4b
MMAP70510	Bar-G5
MMAP70515	Bar-G5#A5b
③ PPA08	Tunable Pad
④ MSR-103	Music Rack
⑤ GS125	Tunable Pad and Bell Stand
⑥ AZ0800170A	Wing Screw
⑦ GLS-105	Rubber Sleeve
⑧ 3108-045	Rubber Foot (1pc)
⑨ ESW-0005AMP	Drum Sticks
⑩ SPM-0414	Mallet
⑪ GBG032H25MP	Bag



Item number	Description
① SN1455Q-M25	Snare Drum
② 0101-1410	Drum Hoop, Batter Side, 10 Holes
0101-14101	Drum Hoop, Snare Side, 10 Holes
③ 0246-114BT-MP	14" Drum Head, Batter Side
0246-314SS-MP	14" Drum Head, Snare Side
④ LUG-0712Q	Lug Assy.
⑤ SFM0550450H	Tension Rod (1pc)
⑥ 1900M12300	Badge Assy.
⑦ 0501	Muffler
⑧ 18323850A	SN Wire
⑨ 0602-1520A	SN Throw-off, Release Side
0602-1620A	SN Throw-off, Butt Side
⑩ 1114-105	Rubber Sleeve (1pc)
⑪ AZ0800170A	Wing Screw
⑫ 1123-045	Rubber Foot (1pc)
⑬ EPP-010M	Practice Pad
⑭ ESW-0005AMP	Drum Sticks
⑮ EBG145500MP	Bag



Appendix Hardware Spec

Model No	Bottom Tube			Center Tube		
	Tube Gauge	Tube Thickness	Tube Length	Tube Gauge	Tube Thickness	Tube Length
S300A	φ 22.2mm dia. (09*)	1.2mm dia. (0.05*)	180mm (7.02*)	φ 15.9mm dia. (0.6*)	1.2mm dia. (0.05*)	190mm (7.41*)
S320A	φ 25.4mm dia. (1*)	1.2mm dia. (0.05*)	180mm (7.02*)	φ 19.1mm dia. (0.8*)	1.2mm dia. (0.05*)	190mm (7.41*)
S350A	φ 25.4mm dia. (1*)	1.2mm dia. (0.05*)	200mm (7.8*)	φ 19.1mm dia. (0.8*)	1.2mm dia. (0.05*)	230mm (8.97*)
S550A	φ 25.4mm dia. (1*)	1.2mm dia. (0.05*)	200mm (7.8*)	φ 19.1mm dia. (0.8*)	1.2mm dia. (0.05*)	230mm (8.97*)
S750A	φ 25.4mm dia. (1*)	1.2mm dia. (0.05*)	200mm (7.8*)	φ 19.1mm dia. (0.8*)	1.2mm dia. (0.05*)	230mm (8.97*)
S950A	φ 28.5mm dia. (1.1*)	1.2mm dia. (0.05*)	225mm (8.78*)	φ 25.4mm dia. (1*)	1.6mm dia. (0.06*)	230mm (8.97*)
H300A	φ 22.2mm dia. (09*)	1.2mm dia. (0.05*)	350mm (13.65*)	φ 15.9mm dia. (0.6*)	1.2mm dia. (0.05*)	400mm (15.6*)
H320A	φ 25.4mm dia. (1*)	1.2mm dia. (0.05*)	350mm (13.65*)	φ 19.1mm dia. (0.8*)	1.2mm dia. (0.05*)	400mm (15.6*)
H350A	φ 25.4mm dia. (1*)	1.2mm dia. (0.05*)	380mm (14.82*)	φ 19.1mm dia. (0.8*)	1.2mm dia. (0.05*)	400mm (15.6*)
H550A	φ 25.4mm dia. (1*)	1.2mm dia. (0.05*)	380mm (14.82*)	φ 22.2mm dia. (0.9*)	1.2mm dia. (0.05*)	400mm (15.6*)
H750A	φ 25.4mm dia. (1*)	1.2mm dia. (0.05*)	370mm (14.43*)	φ 22.2mm dia. (0.9*)	1.2mm dia. (0.05*)	400mm (15.6*)
H950A	φ 28.5mm dia. (1.1*)	1.2mm dia. (0.05*)	390mm (15.21*)	φ 25.4mm dia. (1*)	1.2mm dia. (0.05*)	330mm (12.87*)
C300A	φ 22.2mm dia. (09*)	1.2mm dia. (0.05*)	600mm (23.4*)	φ 15.9mm dia. (0.6*)	1.2mm dia. (0.05*)	600mm (23.4*)
C320A	φ 25.4mm dia. (1*)	1.2mm dia. (0.05*)	600mm (23.4*)	φ 19.1mm dia. (0.8*)	1.2mm dia. (0.05*)	600mm (23.4*)
C350A	φ 25.4mm dia. (1*)	1.2mm dia. (0.05*)	600mm (23.4*)	φ 19.1mm dia. (0.8*)	1.2mm dia. (0.05*)	600mm (23.4*)
C550A	φ 25.4mm dia. (1*)	1.2mm dia. (0.05*)	430mm (16.77*)	φ 22.2mm dia. (0.9*)	1.2mm dia. (0.05*)	440mm (17.16*)
C750A	φ 25.4mm dia. (1*)	1.2mm dia. (0.05*)	430mm (16.77*)	φ 22.2mm dia. (0.9*)	1.2mm dia. (0.05*)	440mm (17.16*)
C950A	φ 28.5mm dia. (1.1*)	1.2mm dia. (0.05*)	480mm (18.72*)	φ 25.4mm dia. (1*)	1.2mm dia. (0.05*)	400mm (15.6*)
B300A	φ 22.2mm dia. (09*)	1.2mm dia. (0.05*)	600mm (23.4*)	φ 15.9mm dia. (0.6*)	1.2mm dia. (0.05*)	600mm (23.4*)
B320A	φ 25.4mm dia. (1*)	1.2mm dia. (0.05*)	600mm (23.4*)	φ 19.1mm dia. (0.8*)	1.2mm dia. (0.05*)	600mm (23.4*)
B350A	φ 25.4mm dia. (1*)	1.2mm dia. (0.05*)	600mm (23.4*)	φ 19.1mm dia. (0.8*)	1.2mm dia. (0.05*)	600mm (23.4*)
B550A	φ 25.4mm dia. (1*)	1.2mm dia. (0.05*)	430mm (16.77*)	φ 22.2mm dia. (0.9*)	1.2mm dia. (0.05*)	440mm (17.16*)
B560A	φ 25.4mm dia. (1*)	1.2mm dia. (0.05*)	430mm (16.77*)	φ 22.2mm dia. (0.9*)	1.2mm dia. (0.05*)	440mm (17.16*)
B750A	φ 25.4mm dia. (1*)	1.2mm dia. (0.05*)	430mm (16.77*)	φ 22.2mm dia. (0.9*)	1.2mm dia. (0.05*)	440mm (17.16*)
B760A	φ 25.4mm dia. (1*)	1.2mm dia. (0.05*)	430mm (16.77*)	φ 22.2mm dia. (0.9*)	1.2mm dia. (0.05*)	440mm (17.16*)
B950A	φ 28.5mm dia. (1.1*)	1.2mm dia. (0.05*)	480mm (18.72*)	φ 25.4mm dia. (1*)	1.2mm dia. (0.05*)	400mm (15.6*)
B960A	φ 28.5mm dia. (1.1*)	1.2mm dia. (0.05*)	480mm (18.72*)	φ 25.4mm dia. (1*)	1.2mm dia. (0.05*)	400mm (15.6*)
B990A	φ 28.5mm dia. (1.1*)	1.2mm dia. (0.05*)	430mm (16.77*)	φ 25.4mm dia. (1*)	1.2mm dia. (0.05*)	400mm (15.6*)
B995A	φ 28.5mm dia. (1.1*)	1.2mm dia. (0.05*)	430mm (16.77*)	φ 25.4mm dia. (1*)	1.2mm dia. (0.05*)	400mm (15.6*)
TS550A	φ 28.5mm dia. (1.1*)	1.2mm dia. (0.05*)	430mm (16.77*)	φ 25.4mm dia. (1*)	1.6mm dia. (0.06*)	480mm (18.72*)
TS551A	φ 28.5mm dia. (1.1*)	1.2mm dia. (0.05*)	430mm (16.77*)	φ 25.4mm dia. (1*)	1.6mm dia. (0.06*)	480mm (18.72*)
TS950A	φ 28.5mm dia. (1.1*)	1.2mm dia. (0.05*)	430mm (16.77*)	φ 25.4mm dia. (1*)	1.6mm dia. (0.06*)	480mm (18.72*)
TS960A	φ 28.5mm dia. (1.1*)	1.2mm dia. (0.05*)	430mm (16.77*)	φ 25.4mm dia. (1*)	1.6mm dia. (0.06*)	480mm (18.72*)
TS965A	φ 28.5mm dia. (1.1*)	1.2mm dia. (0.05*)	430mm (16.77*)	φ 25.4mm dia. (1*)	1.2mm dia. (0.05*)	400mm (15.6*)
JNSH6000	φ 28.5mm dia. (1.1*)	1.2mm dia. (0.05*)	380mm (14.82*)	φ 25.4mm dia. (1*)	1.2mm dia. (0.05*)	330mm (12.87*)
JNSM7000	φ 28.5mm dia. (1.1*)	1.2mm dia. (0.05*)	390mm (15.21*)	φ 25.4mm dia. (1*)	1.2mm dia. (0.05*)	330mm (12.87*)
JNSM7500	φ 28.5mm dia. (1.1*)	1.2mm dia. (0.05*)	390mm (15.21*)	φ 25.4mm dia. (1*)	1.2mm dia. (0.05*)	330mm (12.87*)
JNSM7500F	φ 28.5mm dia. (1.1*)	1.2mm dia. (0.05*)	390mm (15.21*)	φ 25.4mm dia. (1*)	1.2mm dia. (0.05*)	330mm (12.87*)

Model No	Upper Tube			Boom Arm			Height		Weight	
	Tube Gauge	Tube Thickness	Tube Length	Tube Gauge	Tube Thickness	Tube Length	Min	Max	KGS	LBS
S300A							420mm (16.38*)	560mm (21.84*)	3.5 kgs	7.7 lbs.
S320A							420mm (16.38*)	560mm (21.84*)	4.25 kgs	9.35 lbs.
S350A							410mm (16*)	565mm (22.04*)	4.75 kgs	10.45 lbs.
S550A							440mm (17.16*)	610mm (23.79*)	4.75 kgs	10.45 lbs.
S750A							470mm (18.33*)	590mm (23.01*)	6 kgs	13.2 lbs.
S950A							470mm (18.33*)	590mm (23.01*)	6 kgs	13.2 lbs.
H300A							760mm (29.64*)	920mm (35.88*)	3.5 kgs	7.7 lbs.
H320A							760mm (29.64*)	920mm (35.88*)	3.75 kgs	8.25 lbs.
H350A							685mm (685*)	880mm (34.32*)	4.5 kgs	9.9 lbs.
H550A							785mm (30.62*)	955mm (37.25*)	4.75 kgs	10.45 lbs.
H750A							675mm (26.33*)	905mm (35.3*)	5.25 kgs	11.55 lbs.
H950A							680mm (26.52*)	920mm (35.88*)	6.25 kgs	13.75 lbs.
C300A							770mm (30.33*)	1520mm (59.28*)	3.13 kgs	6.88 lbs.
C320A							770mm (30.33*)	1520mm (59.28*)	3.75 kgs	8.25 lbs.
C350A							770mm (30.33*)	1520mm (59.28*)	3.75 kgs	8.25 lbs.
C550A	φ 15.9mm dia. (0.6*)	1.2mm dia. (0.05*)	400mm (15.6*)				680mm (26.52*)	1420mm (55.38*)	3.88 kgs	8.53 lbs.
C750A	φ 15.9mm dia. (0.6*)	1.2mm dia. (0.05*)	400mm (15.6*)				680mm (26.52*)	1420mm (55.38*)	3.88 kgs	8.53 lbs.
C950A	φ 22.2mm dia. (0.9*)	1.2mm dia. (0.05*)	400mm (15.6*)				850mm (33.15*)	1465mm (57.14*)	3.5 kgs	7.7 lbs.
B300A				φ 12mm dia. (0.47*)		305mm (11.9*)	720mm(28.08*)	1520mm (59.28*)	3.63 kgs	7.98 lbs.
B320A				φ 12mm dia. (0.47*)		305mm (11.9*)	720mm(28.08*)	1520mm (59.28*)	4 kgs	8.8 lbs.
B350A				φ 12mm dia. (0.47*)		305mm (11.9*)	890mm (34.71*)	1670mm (65.13*)	3.75 kgs	8.25 lbs.
B550A	φ 15.9mm dia. (0.6*)	1.2mm dia. (0.05*)	400mm (15.6*)	φ 12mm dia. (0.47*)		320mm (12.48*)	810mm (31.59*)	1630mm (63.57*)	4.63 kgs	10.18 lbs.
B560A	φ 15.9mm dia. (0.6*)	1.2mm dia. (0.05*)	400mm (15.6*)	φ 15.9mm dia. (0.6*)	1.6mm dia. (0.06*)	510mm (19.89*)	810mm (31.59*)	1630mm (63.57*)	5.5 kgs	12.1 lbs.
B750A	φ 15.9mm dia. (0.6*)	1.2mm dia. (0.05*)	400mm (15.6*)	φ 12mm dia. (0.47*)		320mm (12.48*)	700mm (27.3*)	1650mm (64.35*)	4.75 kgs	10.45 lbs.
B760A	φ 15.9mm dia. (0.6*)	1.2mm dia. (0.05*)	400mm (15.6*)	φ 15.9mm dia. (0.6*)	1.6mm dia. (0.06*)	510mm (19.89*)	700mm (27.3*)	1650mm (64.35*)	5.63 kgs	12.38 lbs.
B950A	φ 22.2mm dia. (0.9*)	1.2mm dia. (0.05*)	400mm (15.6*)	φ 12mm dia. (0.47*)		320mm (12.48*)	840mm (32.76*)	1500mm (58.5*)	5 kgs	11 lbs.
B960A	φ 22.2mm dia. (0.9*)	1.2mm dia. (0.05*)	400mm (15.6*)	φ 12mm dia. (0.47*)		566mm (22.07*)	840mm (32.76*)	1500mm (58.5*)	6 kgs	13.2 lbs.
B990A				φ 22.2mm dia. (0.9*)	1.6mm dia. (0.06*)	300mm (11.7*)	840mm (32.76*)	1500mm (58.5*)	7 kgs	15.4 lbs.
B995A				φ 22.2mm dia. (0.9*)	1.6mm dia. (0.06*)	300mm (11.7*)	840mm (32.76*)	1500mm (58.5*)	8.5 kgs	18.7 lbs.
TS550A							720mm(28.08*)	980mm (38.22*)	5 kgs	11 lbs.
TS551A							720mm(28.08*)	980mm (38.22*)	5 kgs	11 lbs.
TS950A							720mm(28.08*)	1050mm (40.95*)	6 kgs	13.2 lbs.
TS960A				φ 22.2mm dia. (0.9*)	1.6mm dia. (0.06*)	300mm (11.7*)	840mm (32.76*)	1500mm (58.5*)	6 kgs	13.2 lbs.
TS965A				φ 22.2mm dia. (0.9*)	1.6mm dia. (0.06*)	300mm (11.7*)	840mm (32.76*)	1500mm (58.5*)	7 kgs	15.4 lbs.
JNSH6000							1100mm (42.9*)	1100mm (42.9*)	8 kgs	17.6 lbs.
JNSM7000							760mm (29.64*)	920mm (35.88*)	8 kgs	17.6 lbs.
JNSM7500							760mm (29.64*)	920mm (35.88*)	12.5 kgs	27.5 lbs.
JNSM7500F							760mm (29.64*)	920mm (35.88*)	12.5 kgs	27.5 lbs.

Appendix Hardware Spec

Model No	Bottom Tube			Center Tube			Height		Weight	
	Tube Gauge	Tube Thickness	Tube Length	Tube Gauge	Tube Thickness	Tube Length	Min	Max	KGS	LBS
T250A	φ28.5mm dia. (1.1")	1.2mm dia. (0.05")	285mm (11.12")	φ25.4mm dia. (1")	1.2mm dia. (0.05")	297mm (11.58")	440mm (17.16")	560mm (21.84")	3.5 kgs	7.7 lbs.
T350A	φ28.5mm dia. (1.1")	1.2mm dia. (0.05")	225mm (8.78")	φ25.4mm dia. (1")	1.2mm dia. (0.05")	260mm (10.14")	410mm (15.99")	620mm (24.18")	4.5 kgs	9.9 lbs.
T350N	φ28.5mm dia. (1.1")	1.2mm dia. (0.05")	225mm (8.78")	φ25.4mm dia. (1")	1.2mm dia. (0.05")	260mm (10.14")	410mm (15.99")	620mm (24.18")	3.75 kgs	8.25 lbs.
T550A	φ28.5mm dia. (1.1")	1.2mm dia. (0.05")	225mm (8.78")	φ25.4mm dia. (1")	1.2mm dia. (0.05")	260mm (10.14")	410mm (15.99")	620mm (24.18")	4 kgs	8.8 lbs.
T560A	φ28.5mm dia. (1.1")	1.2mm dia. (0.05")	225mm (8.78")				460mm (17.94")	660mm (25.74")	6.5 kgs	14.3 lbs.
T560GA	φ28.5mm dia. (1.1")	1.2mm dia. (0.05")	225mm (8.78")				460mm (17.94")	660mm (25.74")	5.5 kgs	12.1 lbs.
T560GBA	φ28.5mm dia. (1.1")	1.2mm dia. (0.05")	225mm (8.78")				460mm (17.94")	660mm (25.74")	5.5 kgs	12.1 lbs.
T560LA	φ28.5mm dia. (1.1")	1.2mm dia. (0.05")	225mm (8.78")				460mm (17.94")	460mm (17.94")	5.5 kgs	12.1 lbs.
T580A	φ28.5mm dia. (1.1")	1.2mm dia. (0.05")	225mm (8.78")				460mm (17.94")	460mm (17.94")	6 kgs	13.2 lbs.
T580GA	φ28.5mm dia. (1.1")	1.2mm dia. (0.05")	225mm (8.78")				460mm (17.94")	460mm (17.94")	5.5 kgs	12.1 lbs.
T580GBA	φ28.5mm dia. (1.1")	1.2mm dia. (0.05")	225mm (8.78")				460mm (17.94")	460mm (17.94")	5.5 kgs	12.1 lbs.
T580LA	φ28.5mm dia. (1.1")	1.2mm dia. (0.05")	225mm (8.78")				460mm (17.94")	460mm (17.94")	5.5 kgs	12.1 lbs.
TH630	φ25.4mm dia. (1")	1.2mm dia. (0.05")	350mm (13.65")				330mm (12.87")	330mm (12.87")	2.17 kgs	4.77 lbs.
TH650	φ25.4mm dia. (1")	1.2mm dia. (0.05")	350mm (13.65")				330mm (12.87")	330mm (12.87")	2.17 kgs	4.77 lbs.
TH675	φ25.4mm dia. (1")	1.2mm dia. (0.05")	125mm (4.88")	φ22.2mm dia. (0.9")	1.6mm dia. (0.06")	200mm (7.8")	120mm (4.68")	240mm (9.36")	2.17 kgs	4.77 lbs.
TH682	φ25.4mm dia. (1")	1.6mm dia. (0.06")	230mm (8.97")				380mm (14.82")	380mm (14.82")	3 kgs	6.6 lbs.
TH684	φ22.2mm dia. (0.9")	1.2mm dia. (0.05")	200mm (7.8")				380mm (14.82")	380mm (14.82")	1 kgs	2.2 lbs.
TH684A	φ22.2mm dia. (0.9")	1.2mm dia. (0.05")	200mm (7.8")				380mm (14.82")	380mm (14.82")	1 kgs	2.2 lbs.
TH685	φ25.4mm dia. (1")	1.6mm dia. (0.06")	125mm (4.88")				380mm (14.82")	380mm (14.82")	3 kgs	6.6 lbs.
P320A									1.5 kgs	3.3 lbs.
P380A									4.25 kgs	9.35 lbs.
P550A									2 kgs	4.4 lbs.
P580A									5.63 kgs	12.38 lbs.
P750A									2.75 kgs	6.05 lbs.
P950A									2.75 kgs	6.05 lbs.
P980A									5.5 kgs	12.1 lbs.
JNSP7000									4.25 kgs	9.35 lbs.
JNSP7000F									4.25 kgs	9.35 lbs.
JNSP7500L									8.5 kgs	18.7 lbs.
JNSP7500									8.5 kgs	18.7 lbs.
JNSP7000U									4.25 kgs	9.35 lbs.
JNSP7500LF									8.5 kgs	18.7 lbs.
JNSP7500F									8.5 kgs	18.7 lbs.
JNSP7000UF									4.25 kgs	9.35 lbs.

Earlier Model	2006 Model	2006 Upgraded	Description
SNARE STAND			
S300	S300A	Added Memory Lock	SNARE STAND
S320	S320A	Added Memory Lock	SNARE STAND
S350	S350A	Added Memory Lock	SNARE STAND
S550	S550A		SNARE STAND
	S750A	2006 New Model	SNARE STAND
S950	S950A		SNARE STAND
HI-HAT STAND			
H300	H300A		HI-HAT STAND
H320	H320A	Footboard Design Integration	HI-HAT STAND
H350	H350A	Footboard Design Integration	HI-HAT STAND
H550	H550A	Footboard Design Integration	HI-HAT STAND
H750	H750A	Double Braced, Felt Cymbal Base	HI-HAT STAND
H950	H950A	Double Braced	HI-HAT STAND
CYMBAL STANDS			
C300	C300A	Added Memory Lock	CYMBAL STAND
C320	C320A	Added Memory Lock	CYMBAL STAND
C350	C350A	Added Memory Lock	CYMBAL STAND
C550	C550A		CYMBAL STAND
	C750A	2006 New Model	CYMBAL STAND
C950	C950A		CYMBAL STAND
BOOM STAND			
B300	B300A	Added Memory Lock	BOOM CYMBAL STAND
B320	B320A	Added Memory Lock	BOOM CYMBAL STAND
B350	B350A	Added Memory Lock	BOOM CYMBAL STAND
B550	B550A	Retractable Boom Arm	BOOM CYMBAL STAND
B750	B750A	Double Brace	BOOM CYMBAL STAND
B950	B950A		BOOM CYMBAL STAND
B980	B960A	2006 New Model	BOOM CYMBAL STAND
B990	B990A		BOOM CYMBAL STAND
B995	B995A		BOOM CYMBAL STAND
DRUM PEDAL			
P320	P320A	Footboard Design Integration	DRUM PEDAL
P550	P550A	Footboard Design Integration	DRUM PEDAL
P750	P750A	Changeable Double Chain	DRUM PEDAL
P950	P950A	Changeable Double Chain	DRUM PEDAL
P380	P380A	Footboard Design Integration	DRUM TWIN PEDAL
P580	P580A	Footboard Design Integration, Added Foot Plate	DRUM TWIN PEDAL
P980	P980A	Changeable Double Chain	DRUM TWIN PEDAL
THRONE			
T250	T250A		THRONE
T350	T350A		THRONE
T550	T550A		THRONE
T560	T560A		THRONE
T580	T580A		THRONE
BIG CAT THRONE			
T560G	T560GA		THRONE TIGER
T560GB	T560GBA		THRONE TIGER (BLACK SIDE)
T560L	T560LA		THRONE LEOPARD
T580G	T580GA		THRONE MOTORCYCLE SEAT TIGER
T580GB	T580GBA		THRONE MOTORCYCLE SEAT TIGER (BL)
T580L	T580LA		THRONE MOTORCYCLE SEAT LEOPARD
TOM STAND			
TS550	TS550A		TOM STAND
TS950	TS950A		TOM STAND
TS960	TS960A		TOM STAND
TS965	TS965A		TOM STAND

Model No.	Description	Pages
0501	Muffler	72
34802685	Rubber Foot for FT Lag ( 1 pc)	28
0101-0804	8" TT Hoop, Chrome Plated, 4 Holes	17, 22
0101-1006	10"TT Hoop, Chrome Plated, 6 Holes	17, 22
0101-1208	12"TT Hoop, Chrome Plated, 6 Holes	17, 22
0101-1306	13"TT Hoop, Chrome Plated, 6 Holes	17, 22
0101-1406	14"TT / FT Hoop, Chrome Plated, 6 Holes	17, 22
0101-1408	14"SN Hoop,Batter Side, Chrome Plated, 8 Holes	18,23
0101-14081	14"SN Hoop,Snare Side, Chrome Plated, 8 Holes	18, 23
0101-1410	Drum Hoop, Batter Side, 10 Holes	72
0101-14101	Drum Hoop, Snare Side, 10 Holes	72
0101-1806	18"TT / FT Hoop, Chrome Plated, 6 Holes	17, 22
0101-1806	18"TT / FT Hoop, Chrome Plated, 6 Holes	17, 22
0104-0804	8" TT Hoop, Chrome Plated, 4 Holes	28, 33
0104-1006	10"TT Hoop, Chrome Plated, 6 Holes	28, 33
0104-1206	12"TT Hoop, Chrome Plated, 6 Holes	28, 33
0104-1306	13"TT Hoop, Chrome Plated, 6 Holes	28, 33
0104-1406	14"TT / FT Hoop, Chrome Plated, 6 Holes	28, 33
0104-1408	14"SN Hoop, Batter Side, Chrome Plated, 8 Holes	29, 34
0104-14081	14"SN Hoop, Snare Side, Chrome Plated, 8 Holes	29, 34
0104-1806	18"TT / FT Hoop, Chrome Plated, 6 Holes	28, 33
0104-1806	18"TT / FT Hoop, Chrome Plated, 6 Holes	28, 33
0107-0804	8" TT Hoop,Chrome Plated, 4 Holes	2, 7, 12
0107-0804B	8" TT Hoop,Black Plated, 4 Holes	2
0107-0804G	8" TT Hoop,Gold Plated, 4 Holes	2
0107-1006	10"TT/SN 2.3mm Power Hoop, Batter Side, Chrome Plated, 6 Holes	2, 7, 12, 29, 49
0107-10061	10"SN 2.3mm Power Hoop, Snare Side, Chrome Plated, 6 Holes	99, 66
0107-10061B	10"SN 2.3mm Power Hoop, Snare Side, Black Plated, 6 Holes	91,92,93,96
0107-10061G	10"SN 2.3mm Power Hoop, Snare Side, Gold Plated, 6 Holes	91
0107-1006B	10"TT / SN 2.3mm Power Hoop, Batter Side, Black Plated, 6 Holes	2, 61,62,63,66
0107-1006G	10"TT / SN 2.3mm Power Hoop, Batter Side, Gold Plated, 6 Holes	2, 61
0107-1206	12"TT Hoop,Chrome Plated, 6 Holes	2, 7, 12
0107-1206B	12"TT Hoop,Black Plated, 6 Holes	2
0107-1206G	12"TT Hoop,Gold Plated, 6 Holes	2
0107-1208	12"SN 2.3mm Power Hoop, Batter Side, Chrome Plated, 8 Holes	68
0107-12081	12"SN 2.3mm Power Hoop, Snare Side, Chrome Plated, 8 Holes	68
0107-1306	13"TT Hoop,Chrome Plated, 6 Holes	2,7,12
0107-1306B	13"TT Hoop,Black Plated, 6 Holes	2
0107-1306G	13"TT Hoop,Gold Plated, 6 Holes	2
0107-1308	13"SN 2.3mm Power Hoop, Batter Side, Chrome Plated, 8 Holes	61,59,62,66,69,70
0107-13081	13"SN 2.3mm Power Hoop, Snare Side, Chrome Plated, 8 Holes	61,59,62,66,69,70
0107-13081B	13"SN 2.3mm Power Hoop, Snare Side, Black Plated, 8 Holes	61,62,63
0107-1308B	13"SN 2.3mm Power Hoop, Batter Side, Black Plated, 8 Holes	61,62,63
0107-1408	14"TT / FT / SN Hoop, Chrome Plated, 6 Holes	2,7,12,13
0107-14081	14"SN Hoop,Snare Side, Chrome Plated, 8 Holes	13
0107-1408B	14"TT / FT Hoop,Black Plated, 6 Holes	2
0107-1408G	14"TT / FT Hoop,Gold Plated, 6 Holes	2
0107-1410	14"SN 2.3mm Power Hoop, Batter Side, Chrome Plated, 10 Holes	61,62,63,64,66,70
0107-14101	14"SN 2.3mm Power Hoop, Snare Side, Chrome Plated, 10 Holes	61,62,63,64,66
0107-14101B	14"SN 2.3mm Power Hoop, Snare Side, Black Plated, 10 Holes	61,62,63,64,66
0107-14102A	14"SN Hoop,Snare Side, Chrome Plated, 10 Holes	8, 49
0107-1410B	14"SN 2.3mm Power Hoop, Batter Side, Black Plated, 10 Holes	61,62,63,64,66
0107-1508	15"TT / FT Hoop,Chrome Plated, 6 Holes	2, 7, 12
0107-1508B	15"TT / FT Hoop,Black Plated, 6 Holes	2
0107-1508G	15"TT / FT Hoop,Gold Plated, 6 Holes	2
0107-1608	16"TT / FT Hoop,Chrome Plated, 6 Holes	2, 7, 12
0107-1608B	16"TT / FT Hoop,Black Plated, 6 Holes	2
0107-1608G	16"TT / FT Hoop,Gold Plated, 6 Holes	2
0107-1808	18"TT / FT Hoop,Chrome Plated, 6 Holes	2, 7, 12
0107-1808B	18"TT / FT Hoop,Black Plated, 6 Holes	2
0107-1808G	18"TT / FT Hoop,Gold Plated, 6 Holes	2
0109-130826X	13"SN Die Cast Hoop, Snare Side, Black Plated, 8 Holes	60
0109-13082GX	13"SN Die Cast Hoop, Snare Side, Gold Plated, 8 Holes	61
0109-13082X	13"SN Die Cast Hoop, Snare Side, Chrome Plated, 8 Holes	67
0109-13088X	13"SN Die Cast Hoop, Batter Side, Black Plated, 8 Holes	60
0109-1308GX	13"SN Die Cast Hoop, Batter Side, Gold Plated, 8 Holes	61
0109-1308X	13"SN Die Cast Hoop, Batter Side, Chrome Plated, 8 Holes	67
0109-141026X	14"SN Die-Cast Hoop,Snare Side, Black Plated, 10 Holes	3, 60
0109-14102GX	14"SN Die-Cast Hoop,Snare Side, Gold Plated, 10 Holes	3,69,61,66
0109-14102X	14"SN Die-Cast Hoop,Snare Side, Chrome Plated, 10 Holes	3, 67
0109-14108X	14"SN Die-Cast Hoop,Batter Side, Black Plated, 10 Holes	3, 60
0109-1410G	14"SN Die Cast Hoop, Batter Side, Gold Plated, 10 Holes	66
0109-1410GX	14"SN Die-Cast Hoop,Batter Side, Gold Plated, 10 Holes	3,69,61
0109-1410X	14"SN Die Cast Hoop,Batter Side, Chrome Plated, 10 Holes	3, 67
0112-1800A-XX	18"BD Hoop for Covering ( Q , QR Series)	21, 27, 32
0112-2000A-XX	20"BD hoop for Covering ( QR , Q Series)	21,27,32
0112-2200A-XX	22"BD Hoop for Covering ( QR , Q Series)	21, 27, 32
0113-1800A-XX	18"BD Hoop, for Saturn Series	6
0113-1800A-XX-B	18"BD Hoop (Dark Side), for Saturn Series	6

Model No.	Description	Pages
0113-2000A-XX	20"BD Hoop, for Saturn Series	6
0113-2000A-XX-B	20"BD Hoop (Dark Side), for Saturn Series	6
0113-2200A-XX	22"BD Hoop, for Saturn Series	6
0113-2200A-XX-B	22"BD Hoop (Dark Side), for Saturn Series	6
0113-2400A-XX	24"BD Hoop, for Saturn Series	6
0113-2400A-XX-B	24"BD Hoop (Dark Side), for Saturn Series	6
0115-1800A-XX	18"BD Hoop,for Orion Birds Eye Maple	1
0115-2000A-XX	20"BD Hoop,for Orion Birds Eye Maple	1
0115-2200A-XX	22"BD Hoop,for Orion Birds Eye Maple	1
0115-2400A-XX	24"BD Hoop,for Orion Birds Eye Maple	1
0119-1800A-XX	18"BD Hoop for Lacquering	21
0119-2000A-XX	20"BD Hoop for Lacquering	21
0119-2200A-XX	22"BD Hoop for Lacquering	21
0122-1800A-XX	18"BD Hoop,for Orion Burl Maple	1
0122-2000A-XX	20"BD Hoop,for Orion Burl Maple	1
0122-2200A-XX	22"BD Hoop,for Orion Burl Maple	1
0122-2400A-XX	24"BD Hoop,for Orion Burl Maple	1
0123-1800A-XX	18"BD Hoop, for Pro M Series	11
0123-1800A-XX-B	18"BD Hoop (Dark Side), for Pro M Series	11
0123-2000A-XX	20"BD Hoop, for Pro M Series	11
0123-2000A-XX-B	20"BD Hoop (Dark Side), for Pro M Series	11
0123-2200A-XX	22"BD Hoop, for Pro M Series	11
0123-2200A-XX-B	22"BD Hoop (Dark Side), for Pro M Series	11
0123-2400A-XX	24"BD Hoop, for Pro M Series	11
0123-2400A-XX-B	24"BD Hoop (Dark Side), for Pro M Series	11
0125-1800A-XX	18"BD Hoop, for M Series	16
0125-2000A-XX	20"BD Hoop, for M Series	16
0125-2200A-XX	22"BD Hoop, for M Series	16
0127-1800A-XX	18"BD Hoop, for Pro M Covering Series	11
0127-2000A-XX	20"BD Hoop, for Pro M Covering Series	11
0127-2200A-XX	22"BD Hoop, for Pro M Covering Series	11
0127-2400A-XX	24"BD Hoop, for Pro M Covering Series	11
0246-1148T-MP	14" Drum Head, Batter Side	72
0246-1148T-MP	14"SN Head, Batter Side	13,18,21,29,34,68, 69,70
0246-308CT-MP	8"TT Head ( Batter / Bottom)	22,28,33
0246-310CT-MP	10"TT Head ( Batter / Bottom)	22,28,33
0246-312CT-MP	12"TT Head ( Batter / Bottom)	22,28,33
0246-313CT-MP	13"TT Head ( Batter / Bottom)	22,28,33
0246-314CT-MP	14"TT / FT Head ( Batter / Bottom)	22,28,33
0246-314SS-MP	14"SN Head, Snare Side	23, 29,34,72
0246-316CT-MP	16"TT / FT Head ( Batter / Bottom)	23
0246-316CT-MP	18"TT / FT Head ( Batter / Bottom)	22,28,33
0246-4208B-MP	18"BD Head, Batter Side	22, 2833
0246-4228B-MP	22"BD Head, Batter Side	21,27,32
0246-618CB-MP	18"BD Black Head, Logo Side	21,27, 32
0246-620CB-MP	20"BD Black Head, Logo Side	22, 27,32
0246-622CB-MP	22"BD Black Head, Logo Side	21,27,32
0315-C188B	18"BD Head,Batter Side	21,27,32
0315-C208B	20"BD Head,Batter Side	1,6
0315-C228B	22"BD Head,Batter Side	1,6
0315-C248B	24"BD Head,Batter Side	1,6
0316-308BT	8" TT Head, ( Batter / Bottom)	1,6
0316-310BT	10"TT Head, (Batter / Bottom)	2,7
0316-312BT	12"TT Head, ( Batter / Bottom)	2,7
0316-313BT	13"TT Head, (Batter / Bottom)	2,7
0316-314BT	14"TT / FT Head, (Batter / Bottom)	2,7
0316-315BT	15"TT / FT Head, (Batter / Bottom)	2,7
0316-316BT	16"TT / FT Head, (Batter / Bottom)	2,7
0316-318BT	18"TT / FT Head, 8 Holes (Batter / Bottom)	2,7
0316-6188B	18"BD Black Head,Logo Side	1,6
0316-6208B	20"BD Black Head,Logo Side	1,6
0316-6228B	22"BD Black Head,Logo Side	1,6
0316-6248B	24"BD Black Head,Logo Side	1,6
0322-1108T-BP	10" SN Head, Batter Side (Remo WK)	61,62,63,66
0322-1138T-BP	13"SN Head, Batter Side, (Remo WK)	60,61,62,63,67
0322-1138T-MP	13"SN Head,Batter Side, Chrome Plated	8
0322-1148T-BP	14"SN Head, Batter Side, (Remo WK)	69,60,61,62,63,64, 65,66,67
0322-1148T-MP	14"SN Head,Batter Side	3,8
0322-310SS-BP	10"SN Head, Snare Side (Remo WK)	61,62,63,66
0322-313SS-BP	13"SN Head, Snare Side, (Remo WK)	60,61,62,63,67
0322-313SS-MP	13"SN Head,Snare Side, Chrome Plated	8
0322-314SS-BP	14"SN Head, Snare Side, (Remo WK)	69,60,62,63,64,65, 66,67
0322-314SS-MP	14"SN Head,Snare Side, Chrome Plated	8
0334-1108T	10"SN Head, Batter Side	69
0334-1128T	12"SN Head, Batter Side	68

Model No.	Description	Pages
0334-1138T	13"SN Head,Batter Side	13,68,69,70
0334-308BT	8"TT Head,Batter Side	12,17
0334-308CT	8"TT Head, Bottom Side	12,17
0334-310BT	10"TT Head,Batter Side	12,17
0334-310CT	10"TT Head,Bottom Side	12,17
0334-310SS	10"SN Head, Snare Side	69
0334-312BT	12"TT Head,Batter Side	12,17
0334-312CT	12"TT Head,Bottom Side	12,17
0334-312SS	12"SN Head,Snare Side	68
0334-313BT	13"TT Head,Batter Side	12,17
0334-313CT	13"TT Head, Bottom Side	12,17
0334-313SS	13"SN Head,Snare Side	13,68,69,70
0334-314BT	14"TT / FT Head,Batter Side	12,17
0334-314CT	14"TT / FT Head,Bottom Side	12,17
0334-315BT	15"TT / FT Head,Batter Side	12
0334-315CT	15"TT / FT Head,Bottom Side	12
0334-316BT	16"TT / FT Head,Batter Side	12,17
0334-316CT	16"TT / FT Head,Bottom Side	12,17
0334-318BT	18"TT / FT Head,Batter Side	12,17
0334-318CT	18"TT / FT Head, Bottom Side	12,17
0334-4188B	18"BD Head, Batter Side	11,16
0334-4208B	20"BD Head, Batter Side	11,16
0334-4228B	22"BD Head, Batter Side	11,16
0334-4248B	24"BD Head, Batter Side	11
0334-618CB	18"BD Black Head, Logo Side	11,16
0334-620CB	20"BD Black Head, Logo Side	11,16
0334-624CB	24"BD Black Head, Logo Side	11
0335-1108T	10"SN Head, Batter Side, (Remo UT)	69
0335-1138T	13"SN Head, Batter Side, (Remo UT)	69,62
0335-1148T	14"SN Head, Batter Side, (Remo UT)	69,61
0335-310SS	10"SN Head, Snare Side, (Remo UT)	69
0335-313SS	13"SN Head, Snare Side, (Remo UT)	69,62
0335-314SS	14"SN Head, Snare Side, (Remo UT)	69,61
0602-1520A	SN Throw-off, Release Side	72
0602-1620A	SN Throw-off, Butt Side	72
0609-1540A	SN Throw-off, Release Side, Chrome Plated	62,67
0609-1640A	SN Throw-off, Butt Side, Chrome Plated	62,67
0612-1720A	SN Throw-off, Release Side Assy., Chrome Plated	23,29,34
0612-1820A	SN Throw-off, Butt Side Assy., Chrome Plated	23,29,34
0619-1740A	SN Throw-off, Release Side, Chrome Plated	3,59,61
0619-1840A	SN Throw-off, Butt Side Assy., Chrome Plated	3,59,61
0620-1560A	SN Throw-off, Release Side Assy., Chrome Plated	69,70
0620-1660A	SN Throw-off, Butt Side Assy., Chrome Plated	69,70
0621-1560A	SN Throw-off, Release Side Assy., Chrome Plated	69,70
0622-1720A	SN Throw-off, Release Side Assy., Chrome Plated	18
0622-1820A	SN Throw-off, Butt Side Assy., Chrome Plated	18
0629-1760A	SN Throw-off, Butt Side Assy., Chrome Plated	13
0630-1760A	14"SN Throw-off, Release Side Assy., Chrome Plated	13,68
0630-1860A	13"SN Throw-off, Release Side Assy., Chrome Plated	13,68
0640-1760A	SN Throw-off, Release Side Assy., Chrome Plated	8
0640-1860A	SN Throw-off, Butt Side Assy., Chrome Plated	8
0641-1660A	SN Throw-off, Release Side, for 3.5" Height, Chrome Plated	67,69,70
0641-1660A	SN Throw-off, Butt Side, for 3.5 Height, Chrome Plated	67,69,70
0642-1760A	SN Throw-off, Release Side, for 3.5" Height, Chrome Plated	68
0642-1860A	SN Throw-off, Butt Side Assy., for 3.5" Height, Chrome Plated	68
0651-1560A	SN Throw-off, Release Side, Black Plated	62,63,64
0651-1660A	SN Throw-off, Butt Side, Black Plated	62,63,64
0652-1760A	SN Throw-off, Release Side, Black Plated	60,61
0652-1860A	SN Throw-off, Butt Side, Black Plated	60,61
0659-1540A	SN Throw-off, Release Side	69
0659-1640A	SN Throw-off, Butt Side, Gold Plated	69
0662-1760A	SN Throw-off, Release Side, Gold Plated	61
0662-1860A	SN Throw-off, Butt Side, Gold Plated	61
0669-1740A	SN Throw-off, Release Side Assy., Gold Plated	3,59,61
0669-1840A	SN Throw-off, Butt Side Assy., Gold Plated	3,59,61
0679-1540A	SN Throw-off, Release Side, Black Plated	62,63,64,66
0679-1640A	SN Throw-off Butt Side, Black Plated	62,63,64,66
0689-1740A	SN Throw-off, Release Side Assy., Black Plated	3,60,61
0689-1840A	SN Throw-off, Butt Side Assy., Black Plated	3,60,61
0704-891A	BD Hook, Chrome Plated	11,16,21,27,32
0704-892A	BD Hook,Chrome Plated	6
0704-892BA	BD Hook,Black Plated	1
0704-892GA	BD Hook,Gold Plated	1
0908-6010A	Wing Screw	54,55,56
1018-105	Rubber Sleeve(1 pc)	30,35,98
1114-105	Rubber Sleeve (1 pc)	14,19,24,37,38,72
1123-045	Rubber Foot (1 pc)	38,40,46,48,52,72

Model No.	Description	Pages
1224-045	Rubber Foot (1pc)	9,10,14,15,19,20, 37,40,45,48,51,52, 55
1224-045A	Rubber Feet (1 pcs)	55
1224-938A	Rubber Foot (3 pcs / pack)	54,56
1618-105	Pro-Lok Lever	4,9,37
1680-045	Rubber Sleeve (1 pc )	4,5,37,39,48,50,54 55,56
18323850A	Rubber Foot (1 pc)	18,23,29,34,72
18794850A	14" Snare Wire, Chrome Plated	5,5,13,59,61,67,68
18794850BA	14" Snare Wire, Chrome Plated	/69,70
18794850BA	14" Snare Wire, Black Plated	3,60,61,62,63,64, 66
18794850GA	14" Snare Wire, Gold Plated	3,69,61,65
1900813201	BP Badge for 3.5"-4"Height	56,60,61,62,63,64, 67
1900813203	BP Badge for for 5"-6.5"Height	56,60,61,62,63,64, 65,66,67
1900813205	Precious Metal Series Badge	64
1900813206	Premium Series Badge	56,60,61,62,63
1900813207	Hammered Series Badge	65,66,67
1900813208	Deep Forest Series Badge	61



Model No.	Description	Pages
3121-366	Cymbal Felts(2 pos./pack)	25,26,31,36,49,53
3121-365X	Rubber Foot (1 pc)	25,26,31,36,49,53
3122-045	Wing Screw	24,25,26,30,31,35,36,38,41,48,53
3224-3010A	Upper Tube	10,15,20,25,26,21,48,49,51,52,53
3224-484A	Upper Tube	48
3245-484A	Upper Tube	31,36,49
3255-484A	Upper Tube	25,49
3335-484A	Boom Arm	49,52
3365-484A	Upper Tube	15,20,48
3402-430A	Tilter Assy.	10,15,20,31,48,49,52
34340695A	Rubber Foot for FT Leg ( 1 pc)	2,7,17
34505875A	FT Mount	33
34601890A	FT Leg ( 1 pc)	17,22,28,33
34601890A	Rubber Foot for FT Leg ( 1 pc)	12
34671890A	FT Leg ( 1 pc)	2,7
3475-484A	FT Legs (1 pc)	10,48
3480-095A	Upper Tube	9,14,19,24,25,26,37,38,40,41,49,52,53
3480-3010A	Memory Lock for Tube dia. 19.1mm ( 0.8")	5,10,48,50,51,54
3480-366	Wing Nut / Bolt Assembly O/S Cymbal Accentuator (1 pc)	56 5,10,15,20,48,49,50,51,52,54,56
3480-365A	O/S Cymbal Accentuator (2 pos. / Pack)	5,10,15,20,48,49,50,51,52,54,56
3480-484A	Upper Tube	48
3485-484A	Upper Tube	48
3535-075A	Upper Tube	52
3621-325	Cymbal Washer	5,10,15,20,25,26,31,36,48,49,50,51,52,53,54,56
3623-430A	Tilter	25,26,31,36,49,53
3623-484A	Boom Arm	26,31,36,53
3624-425A	Upper Tube Assy. Complete	51
3650-075	Center Tube	10,15,20,48
3650-075	Center Tube	10,15,20,48,51,52
3655-484A	Boom Arm	10,15,20,52
3680-425A	Upper Tube	5,30,54,56
3680-440A	Tilter Assy.	5,10,48,50,51,54,56
3680-484A	Boom Arm	5,30,51,54,56
3730-095A	Memory Lock for Tube dia. 15.9mm (0.6")	10,15,20,31,35,36,38,48,49,51,52,53
3850-484A	Boom Arm	51
3880-484A	Boom Arm	50
4130-525A	Pedal Beater	25,31,36,44
4218-262A	Chain Assy.	42
4218-560A	Spring Assy.	25,31,36,44
4330-556A	Connector Complete for Bearing	10,15,20,25,31,36,42,43,44
4450-560A	Spring Assy.	10,15,20,42,43,44
4450-567	Spring Hook	10,15,20,25,31,36,42,43,44
4680-515A	Pedal Beater	5,10,15,42,43
4680-515X	Pedal Beater	20,44
4680-555A	Connector Assy. for Bearing	5,42,43
4680-560A	Spring Assy.	5,42,43
4830-245	Radius Rod Assy.	42
4830-525A	Pedal Beater	42
4830-909A	Cam Assy.	42
4850-909A	Linkage Assy.	42
4851-245A	Rails Assy.	20,42,44
4880-909A	Linkage Assy.	42
4450-151A	Spike Assy.	57,58
4450-255A	Chain Assy.	57,58
4450-255X	Chain Assy.	5,10,15,42,43
4450-256A	Belt Assy.	57,58
4450-515A	Drum Beater	57,58
4450-539A	Cam & Connector Assy.	58
4450-541A	Cam Assy.	58
4450-586	Connector	57,58
4450-556A	Right Spring Assy.	57,58
4450-557A	Right Spring Assy.	57,58
4480-151A	BD Spike	58
4480-540A	Cam & Connector	57,58

Model No.	Description	Pages
4480-909A	Linkage Assy.	57,58
5121-5010A	Wing Screw	26,46
5121-590A	Seat Assy.	26,46
5450-590A	Seat Assy.	46,46
5560-590A	Seat Assy.	45
5563-590A	Seat Assy. for T560GA	47
5565-590A	Seat Assy. for T560LA	47
5568-590A	Seat Assy. for T560GBA	47
5580-590A	Seat Assy.	45
5583-590A	Seat Assy. for T580GA	47
5585-590A	Seat Assy. for T580LA	47
5588-590A	Seat Assy. for T580GBA	47
5620-045	Rubber Foot (1 pc)	46,47
6200-645A	Stop Lock Assy.	18,23,35
6200M	TT / FT Mount ( w/o ITS)	22,28,33
6250M	FT Mount	17
6300M	BD Mount Complete	21,27,32
6350B	18" BD Mount Complete (w/o ITS)	1,6,11,16
6460M	TT Mount ( w / ITS)	28
6460M2083A	8" TT Mount ( w / ITS)	17,22,28
6460M2103A	10" TT Mount ( w / ITS)	17,22,28
6460M2123A	12" TT Mount ( w / ITS)	17,22,28
6460M2133A	13" TT Mount ( w / ITS)	17,22,28
6460M2143A	14" TT Mount ( w / ITS)	17,22,28
6460M2163A	16" TT Mount ( w / ITS)	17,22,28
680068520A	20"BD Mount Complete	11
680068522A	22"BD Mount Complete	11
680068620A	20" BD Mount Complete	6
680068622A	22" BD Mount Complete	6
6700-675	Adjustment Lock for Tom Holder	3,4,5,8,9,13,14,18,23,29,34,37,39,45,46,48,50,54,55,56,56,67
6700-625A	Tom Holder	3,6,54,55
6700-675	Adjustment Lock for Tom Holder	3
670068720A	20" BD Mount Complete (w / ITS)	1
670068722A	22" BD Mount Complete (w / ITS)	1
6705-075A	Base Tube Assy.	13
6746M	FT Mount	12
6746M	SN Mount for 10"x5.5" Snare (w/o ITS)	69
6750-645A	Stop Lock for FT Leg ( 1 pc)	2,3,7,8,13,54,55,56,61,62,63,69,69
6750M2083A	8" TT Mount ( w / ITS)	12
6750M2085A	8" TT Mount ( w/ITS)	2,7
6750M2103A	10" TT Mount (w/ITS)	12
6750M2105A	10"TT Mount (w/ ITS)	2,7
6750M2106A	SN Mount for 10" x5.5" Snare ( w / ITS)	68,61,62,69
6750M2123A	12" TT Mount ( w / ITS)	12
6750M2125A	12"TT Mount ( w/ITS)	2,7
6750M2133A	13" TT Mount (w / ITS)	12
6750M2135A	13"TT Mount (w/ITS)	2,7
6750M2143A	14" TT Mount ( w / ITS)	12
6750M2145A	14"TT Mount (w/ITS)	2,7
6750M2153A	15" TT Mount (w / ITS)	12
6750M2155A	15"TT Mount (w/ITS)	2,7
6750M2163A	16" TT Mount ( w / ITS)	12
6750M2165A	16"TT Mount (w/ITS)	2,7
6750M3145A	14"Mid FT Mount (w/ITS)	2,7
6750M3146A	14"Right FT Mount (w/ITS)	2,7
6750M3147A	14"Left FT Mount (w/ITS)	2,7
6750M3155A	15"Mid FT Mount (w/ITS)	2,7
6750M3156A	15"Right FT Mount (w/ITS)	2,7
6750M3157A	15"Left FT Mount (w/ITS)	2,7
6750M3165A	16"Mid FT Mount (w/ITS)	2,7
6750M3166A	16"Right FT Mount (w/ITS)	2,7
6750M3167A	16"Left FT Mount (w/ITS)	2,7
6750M3185A	18"Mid FT Mount (w/ITS)	2,7
6750M3186A	18"Right FT Mount (w/ITS)	2,7
6750M3187A	18"Left FT Mount (w/ITS)	2,7
6801-024	Ball Rod	18,23,29,34,35
6801-024A	Ball Rod	8,8,13,54,55
7201-675	Adjustment Knob	11,16,21,27,32
7201-685	Rubber Foot for BD Spur (1 pc)	11
7201-685A	Rubber Foot for BD Spur ( 1 pc)	16,21,27,32
7230J0001A	BD Spur	21,27,32
7550J0040A	Left BD Spur	11,16
7550J0041A	Right BD Spur	11,16
7600J1840A	18"Left BD Spur (w/o ITS)	1,6
7600J1841A	18"Right BD Spur (w/o ITS)	1,6

Model No.	Description	Pages
7700J2040A	20"Left BD Spur (w / ITS)	1,6
7700J2041A	20"Right BD Spur (w / ITS)	1,6
7700J2240A	22"Left BD Spur (w / ITS)	1,6
7700J2241A	22"Right BD Spur (w / ITS)	1,6
7700J2440A	24"Left BD Spur (w / ITS)	1,6
7700J2441A	24"Right BD Spur (w / ITS)	1,6
9550-9010A	Wing Nut / Bolt Assembly	15,18,23,29,34,55
9700-9010A	Wing Nut / Bolt Assembly	3,8,55
AC908	Multi-Use Mount Assy.	3,8,54,55,56
AZ0600150A	Wing Screw	30,31,35,36,38,41,49,53
AZ0600200A	Wing Screw	4,9,14,19,24,39,40,41,57
AZ0800170A	Wing Screw ( 1 pc)	1,3,4,5,5,8,10,11,11,14,18,19,20,22,24,25,26,27,30,31,32,35,36,37,38,39,40,41,48,48,47,48,49,50,51,52,53,54,55,56,57,71,72
AZ0800230A	Wing Screw	45,46,47
B75	Boom Cymbal Arm	94,96
EBG145500MP	Bag	72
EPP-010M	Practice Pad	72
ESW-0005AMP	Drum Sticks	71,72
GBG032H25MP	Bag	71
GL32H25	32 Note Bell	71
GLS-106	Rubber Sleeve	71
GS125	Tunable Ped and Bell Stand	71
KZWA058	Drum Key	5,10,15,43
LUG-0701D	BD Lug Assy., Chrome Plated	1,6
LUG-0701G	Lug Assy., Chrome Plated	33
LUG-0701N	Lug Assy., Chrome Plated	12
LUG-0701P	Lug Assy., Chrome Plated (for Lacquering)	22
LUG-0702D	BD Lug Assy., Chrome Plated (for ITS plate)	1,6
LUG-0702G	SN Lug Assy., Chrome Plated (Type G)	68
LUG-0702N	Lug Assy., Chrome Plated (for ITS plate)	12
LUG-0702P	Lug Assy. for Metal Shell ( Type P)	34
LUG-0702U	Lug Assy., (Type U) for 3.5"Height, Chrome Plated	67
LUG-0703G	Lug Assy. Chrome Plated	32
LUG-0703N	BD Lug Assy., Chrome Plated	11
LUG-0703P	Lug Assy. for Lacquering	21
LUG-0703U	Lug Assy., (Type U) for 3.5"Height, Black Plated	62,83,84
LUG-0704N	BD Lug Assy., Chrome Plated(for ITS plate)	11
LUG-0708D	Lug Assy., (Type D) Chrome Plated	40,47
LUG-0708G	SN Lug Assy., Chrome Plated (Type G)	66,70
LUG-0709D	Lug Assy., (Type D) Gold Plated	66
LUG-0710D	Lug Assy., (Type D) Black Plated	62,83,84,88
LUG-0711D	Lug Assy., Chrome Plated	2,3,7,8,9,9,60,61
LUG-0711P	Lug Assy.	17
LUG-0712D	Lug Assy.,Chrome Plated (for ITS plate)	2,7,59,60
LUG-0712P	Lug Assy. for Lacquering ( Type P)	29
LUG-0712Q	Lug Assy.	72
LUG-0713P	Lug Assy. Chrome Plated	16
LUG-0713U	Lug Assy., (Type U) for 3.5"Height, Black Plated	59,60
LUG-0713Z	Lug Assy., (Type Z) for 3.5"Height, Black Plated	61
LUG-0714P	Lug Assy. ( for ITS plate)	17
LUG-0714Z	Lug Assy., (Type Z) for 3.5"Height, Gold Plated	61
LUG-0717D	Lug Assy.,Gold Plated (for ITS plate)	2
LUG-0719D	Lug Assy.,Gold Plated	2,3,59,60,61
LUG-0720D	Lug Assy.,Black Plated	2,3,59,60,61
LUG-0721D	BD Lug Assy., Black Plated(for ITS plate)	1,61
LUG-0722D	BD Lug Assy., Black Plated	1
LUG-0723D	BD Lug Assy., Gold Plated	1
LUG-0723Q	SN Lug Assy., Chrome Plated (Type Q)	68
LUG-0724D	BD Lug Assy., Gold Plated (for ITS plate)	1,61
LUG-0727D	Lug Assy.,Black Plated (for ITS plate)	2
LUG-0732P	SN Lug Assy., Chrome Plated (Type P)	68
LUG-0733Q	Lug Assy. (for 3.5" Height) (Type Q)	66,70
LUG-0741P	Lug Assy., Chrome Plated (for Covering)	22,28
LUG-0742P	Lug Assy. for Covering ( Type P )	25,29,34
LUG-0743P	Lug Assy. for Covering	21,27
LUG-0758D	BD Two Point Contact Lug Assy., Black Plated	1
LUG-0778D	BD Two Point Contact Lug Assy., Gold Plated	1
LUG-0798D	BD Two Point Contact Lug Assy., Chrome Plated	1,6
M010-020	Washer ( 1 pc)	1,2,3,46,8,11,13,61,82,83,84,85,86,87,88,89,70
MMAP10310	Bar-A3	71

Model No.	Description	Pages
MMAP10315	Bar-A3+B3b	71
MMAP10410	Bar-A4	71
MMAP10415	Bar-A4+B4b	71
MMAP10510	Bar-A5	71
MMAP10515	Bar-A5+B5b	71
MMAP20310	Bar-B3	71
MMAP20410	Bar-B4	71
MMAP20510	Bar-B5	71
MMAP30410	Bar-C4	71
MMAP30415	Bar-C4+B4b	71
MMAP30510	Bar-C5	71
MMAP30515	Bar-C5+B5b	71
MMAP30610	Bar-C6	71
MMAP40410	Bar-D4	71
MMAP40415	Bar-D4+B4b	71
MMAP40510	Bar-D5	71
MMAP40515	Bar-D5+B5b	71
MMAP50410	Bar-E4	71
MMAP50510	Bar-E5	71
MMAP60310	Bar-F3	71
MMAP60315	Bar-F3+B3b	71
MMAP60410	Bar-F4	71
MMAP60415	Bar-F4+B4b	71
MMAP60510	Bar-F5	71
MMAP60515	Bar-F5+B5b	71
MMAP70310	Bar-G3	71
MMAP70315	Bar-G3+B3b	71
MMAP70410	Bar-G4	71
MMAP70415	Bar-G4+B4b	71
MMAP70510	Bar-G5	71
MMAP70515	Bar-G5+B5b	71
MSR-103	Muscle Rack	71
NZ08002003B	Wing Nut	5,10,15,20,26,26,31,36,48,49,50,51,52,53,54,56
NZ080024044	Wing Nut (1 pc)	2,7,12,17,22,28,33
PPA08	Tunable Ped	71
SF0550300HX	Tension Rod for 3.5"Height, Chrome Plated (1 pc)	66,69,70
SF0550350BX	Tension Rod for 3.5Height, Black Plated (1 pc)	39,60,82,83,84
SF0550350HX	Tension Rod for 3.5"Height, Chrome Plated (1 pc)	67
SF0550400BX	Tension Rod, Black Plated (1 pc)	3,59,60,61,62,63,64,66
SF0550400GX	Tension Rod, Gold Plated (1 pc)	62,83,84
SF0550400HX	Tension Rod, Chrome Plated (1 pc)	3,8,59,60,62,67,69,70
SF0550450BX	Tension Rod, Black Plated (1 pc)	2,59,60,81,83,84,86
SF0550450GX	Tension Rod, Gold Plated (1 pc)	2,59,60,81,66
SF0550450HX	Tension Rod, Chrome Plated ( 1 pc)	2,7,12,13,59,60,61,68,69,70
SF055060HX	Tension Rod, Chrome Plated (1 pc)	69
SF0551000BX	Tension Rod, Black Plated (1 pc)	