

# VENUS

START HERE, ARRIVE ANYWHERE



The Venus Series presents an all-inclusive setup for the first-time player ready to start the "Drummer for Life" adventure. The 100% poplar shells appointed with Mapex SONIClear™ bearing edges produce rich tones from the toms, a robust crack from the snare drum and a punchy low thump from the bass drum. Outfitted with a complete set of stands and pedals, cymbals, a drummer's throne and even a first pair of drumsticks the Venus Series is the perfect kit to have fun starting a meaningful drumming experience.

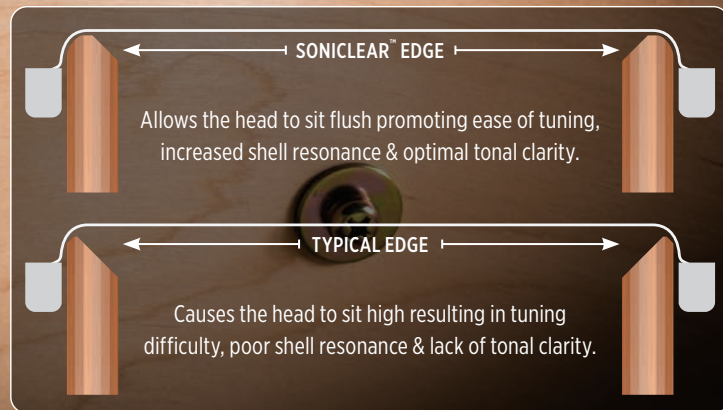
# DRUMMER FOR LIFE

*Your Drummer for life story begins with Venus, starting with a complete package for beginners of any age. Once you're hooked you'll be looking to Mars for the next step. Practicing, listening, hearing, becoming.....a Drummer For Life.*

# SONICLEAR™

## BEARING EDGE

The **SONIClear™ Bearing Edge** is standard on all Mapex shells and allows the drumhead to sit flatter and make better contact with the shell. The result is a stronger and deeper fundamental pitch, effortless and consistent tuning, and a significantly expanded tuning range. For the serious player, the increased head to edge contact increases shell vibration, allowing the sonic nuances of the Hybrid shell to stand out.

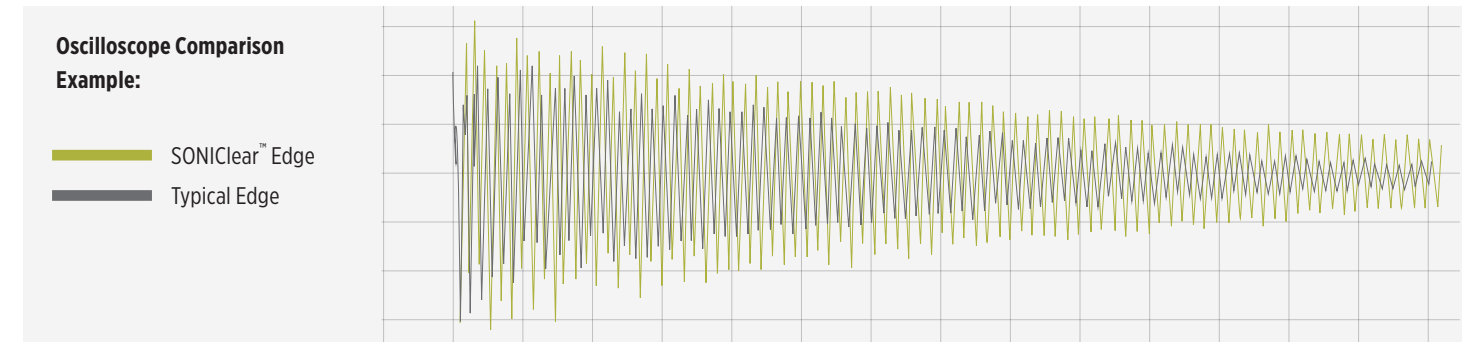


# SONICLEAR™ EDGE AUDIO TEST SESSIONS

## SOUND

The increased drumhead to shell contact achieved by the SONIClear™ Edge enhances shell vibration, resulting in the "biggest" sound possible from the drum.

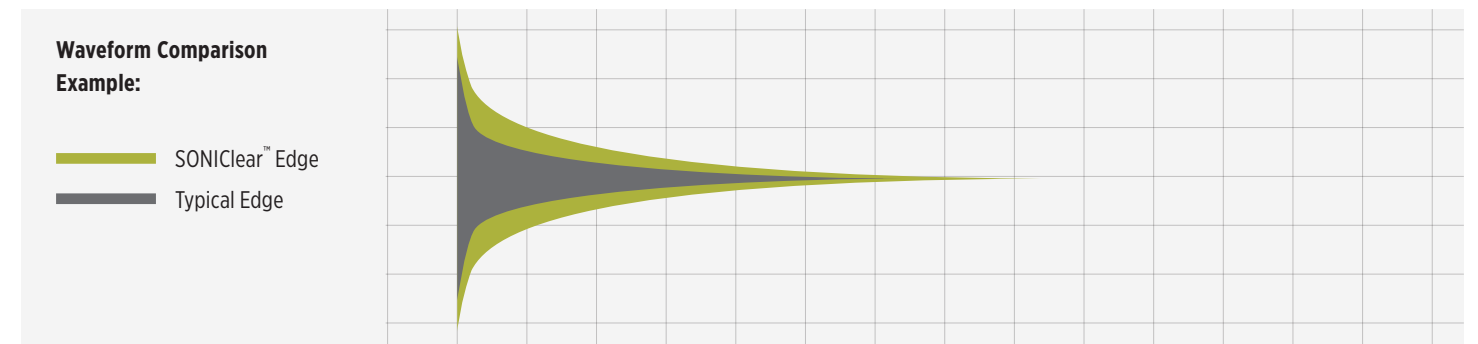
**Oscilloscope Example:** The green waveform is a recording of a drum with the SONIClear™ edge. The dark grey waveform is a drum with a typical edge. Tuned to the same pitch and recorded identically, it's clear that the drum with the SONIClear™ Edge produces a much larger waveform from the initial strike through the full sustain of the note.



## SUSTAIN

Because the drumhead sits flat on the SONIClear™ Edge, the tension applied during tuning is more balanced and stress-free. This allows the drumhead to vibrate freely and fully.

**Waveform Comparison Example:** The green waveform is a recording of a drum with the SONIClear™ edge. The dark grey waveform is a drum with a typical edge. The size of the SONIClear™ waveform indicates a lower and stronger fundamental pitch while the length indicates a longer sustain compared to a typical edge.



# FEATURES & BENEFITS



## Poplar Shell

9-Ply, 7.2mm Poplar shell offers a full, warm sound.

## REMO® Drumheads

Venus series is equipped with REMO drumheads ensuring a pure tone from every drumshell with every stroke.

## Mini B-Lug

Inspired by the style of B lugs from Saturn Evolution Series, the new Mini B-Lug makes tuning smooth and easy.

## TH652 Double Tom Holder

Offers easy positioning, multi-angle adjustment, and user-friendly experience to get your toms set up quickly and securely.



## Mapex Hammerd Brass Cymbals

The 14" hammered brass hi-hat pair and the 18" hammered brass crash/ride produce a warm cymbal sound rich with harmonics fitting perfectly with most genres of music.



## P410 Single Bass Drum Pedal

Features solid base plate construction for both durability and a secure comfortable performance outpacing most pedals in its class. Single chain drive with adjustable spurs, a reversible and angle adjustable beater and a full sized footboard all for a performance worthy feel.

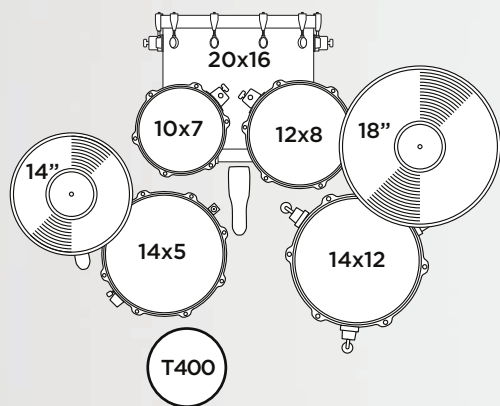


## H410 Hi-Hat Stand

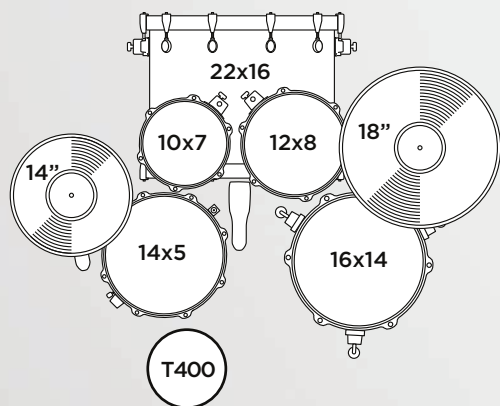
The direct-pull-chain-drive mechanism creates a smooth and responsive feel while the simple and strong hi-hat clutch keeps the top cymbal in place. The angle adjustable seat cup gives authentic hi-hat function and sound.

# CONFIGURATIONS

## 5044FTC 5-Piece Fusion Drum Set (with Cymbals)



## 5294FTC 5-Piece Rock Drum Set (with Cymbals)



# ALL ABOUT **FINISHES**



# AQUA BLUE SPARKLE



Featured Model: VE5044FTCVJ



# BLACK GALAXY SPARKLE



Featured Model: VE5044FTCVH





# BLUE SKY SPARKLE



Featured Model: VE5294FTCVI



# CRIMSON RED SPARKLE



Featured Model: VE5294FTCVM





WWW.MAPEXDRUMS.COM

Colors shown in this catalog are representative only, and may not be exactly the same as the original.  
No part of this catalog may be reprinted or reproduced in any form in whole or in part, without the prior written permission of KHS.